


VS-15-GC-BU/BU

Order No.: 1652664




<http://eshop.phoenixcontact.de/phoenix/treeViewClick.do?UID=1652664>

D-SUB contact insert, shell size 2, with 15 signal contacts, contact type socket, gender changer, fixing with 4-40 UNC thread

Commercial data	
GTIN (EAN)	 4 017918 952822
Note	Made-to-order
sales group	D501
Pack	10 pcs.
Customs tariff	85366990
Catalog page information	Page 435 (PC-2011)

Product notes

WEEE/RoHS-compliant since: 01/01/2006



<http://www.download.phoenixcontact.com>
 Please note that the data given here has been taken from the online catalog. For comprehensive information and data, please refer to the user documentation. The General Terms and Conditions of Use apply to Internet downloads.

Technical data

Mechanical characteristics	
Number of positions	15
Insertion/withdrawal cycles	≥ 200
Connection method	Gender changer
Ambient temperature (operation)	-55 °C ... 125 °C

Material data	
Inflammability class acc. to UL 94	V0
Housing material	Steel, yellow chromated

Contact carrier material	Polyester GF
Contact material	Copper alloy
Contact surface material	Hard gold-plated over nickel

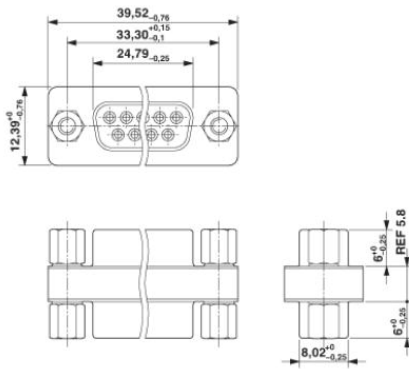
Electrical characteristics

Rated voltage (III/3)	125 V
Rated surge voltage	1 kV
Rated current	5 A

Diagrams/Drawings

Dimensioned drawing

Gender changer



Address

PHOENIX CONTACT Inc., USA
586 Fulling Mill Road
Middletown, PA 17057, USA
Phone (800) 888-7388
Fax (717) 944-1625
<http://www.phoenixcon.com>



© 2011 Phoenix Contact
Technical modifications reserved;