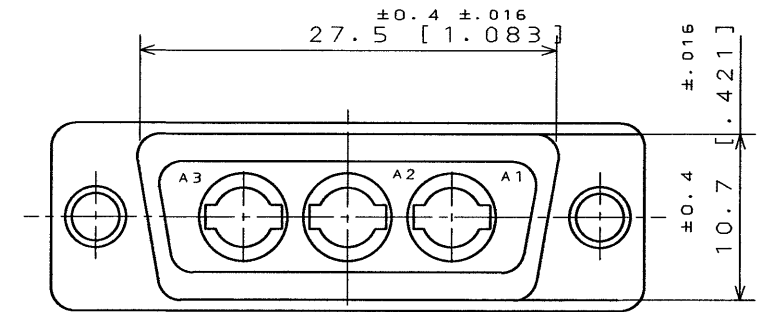
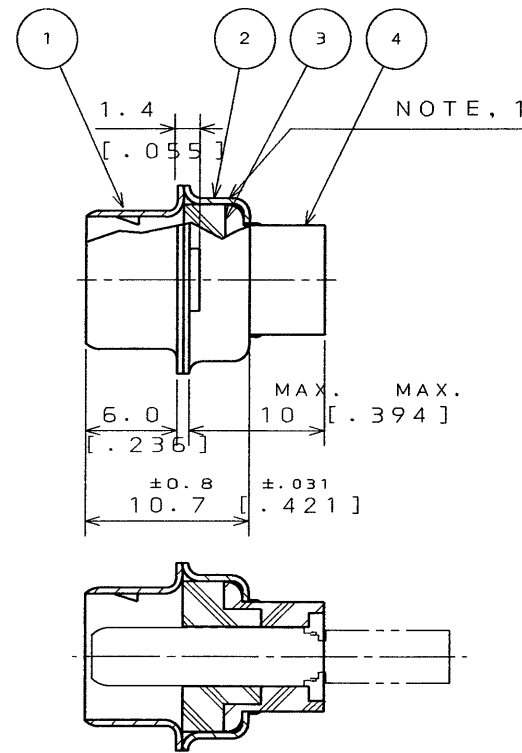
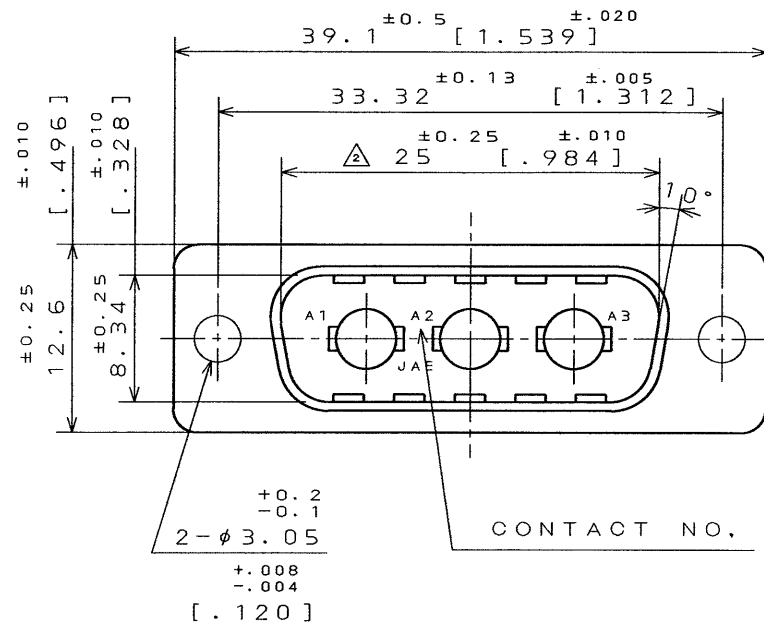


SJ024069-E

DWG. NO.

SYM.	DCN NO.	DESCRIPTION	DATE	DRAWN	CHECKED	APP'D	APP'D
2	29938	CHANGED FORM	91.12.26		R. MURAYAMA	<i>Y. Nishino</i>	<i>Y. Nishino</i>



COAXIAL C/T HOLE

- NOTE 1. COMPANY LOGO "JAE" & PART NO. AS INDICATED.
2. CONTACTS ARE NOT SUPPLIED WITH CONNECTORS, CONTACTS TO BE ORDERED SEPARATELY.
3. FOR PANEL CUT OUT DIMENSIONS SEE DWG NO. SJ013596.

ITEM	DESCRIPTION	Q'TY	MATERIAL	FINISH	REMARKS
4	REAR INSULATOR	1	NYLON		UL94V-0 BLACK
3	FRONT INSULATOR	1	PBT		UL94V-0 BLACK
2	REAR SHELL	1	STEEL	TIN PLATE	
1	FRONT SHELL	1	STEEL	TIN PLATE	

REFERENCE DOCUMENT	DATE 25. MAY. '89	SCALE 1:1	WT. G	<p>MUSASHINO, AKISHIMA-SHI TOKYO, JAPAN</p>
MATERIAL	DRAWN Y. HAYASHI	TITLE DAML-3W3PG-F0		
TREATMENT	CHECKED Y. HAYASHI	APP'D		
FINISH	APP'D Y. NISHINO	SERIES		
DWG. NO.				SJ024069-E

DIMENSIONS ARE IN MILLIMETERS
TOLERANCES ON: (INCHES)

DIMENSION	TOLERANCE	ANGLES	CONCENTRICITY
. ±		X° ±	WITHIN T. I. R.
.X ±	±0.4	X'X' ±	
.XX ±	±0.16		
.XXX ±			

DCF-116A



CDS89-11012

SIZE A3