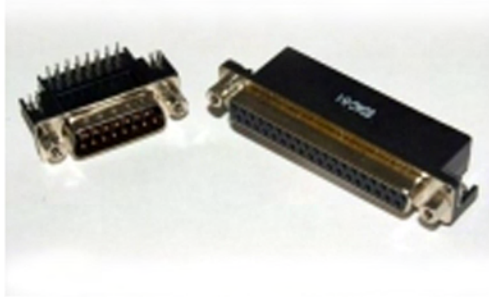




SERIES 625/626



FEATURES

Two contact rows with .590" (14.99mm) footprint right-angle bend.

.109" (2.77mm) contact spacing x .112" (2.82mm) row spacing

Plug and receptacle in 9-, 15-, 25- or 37-pin contacts sizes

Pin and socket contact mating design with PC tail termination

Metal shell provides EMI/RFI shielding, Plug Shell indents provide grounding and additional mating retention

Grounding features include top and bottom ground plates and four-prong boardlock for superior retention to PC Board

Mounting options for panel mount or connector mating include through hole, threaded inserts and threaded standoffs

D-shaped connector mating outline provides polarization
Design based on requirements of MIL-C-24308, EIA RS-232 and RS-449

SPECIFICATIONS

Insulator Material: Thermoplastic polyester UL 94V-0; chemical resistant; colour - black

Contact Material: Plug contacts- brass

Receptacle contacts - phosphor bronze

Contact Plating: Gold (see Ordering Code) over nickel for the mating area; tin plating on contact tails

Shell Material: Nickel-plated steel

Current Rating: 5 amperes

Contact Resistance: 10 milliohms maximum

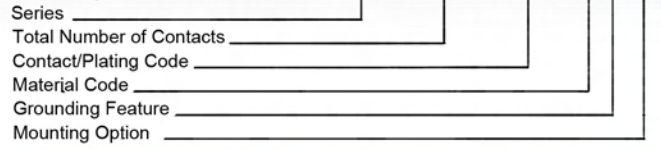
Dielectric Withstanding Voltage: 1000 V AC rms @ sea level

Insulation Resistance: 5000 megohm minimum

Operating Temperature: -55 to + 105 degrees C

Engagement and Separation Force: 1 to 10 oz (0.28 to 2.78 N) per contact position

Example Part Number 626 - 037 - 562 - 0 4 3



Series	
625	Plug
626	Receptacle

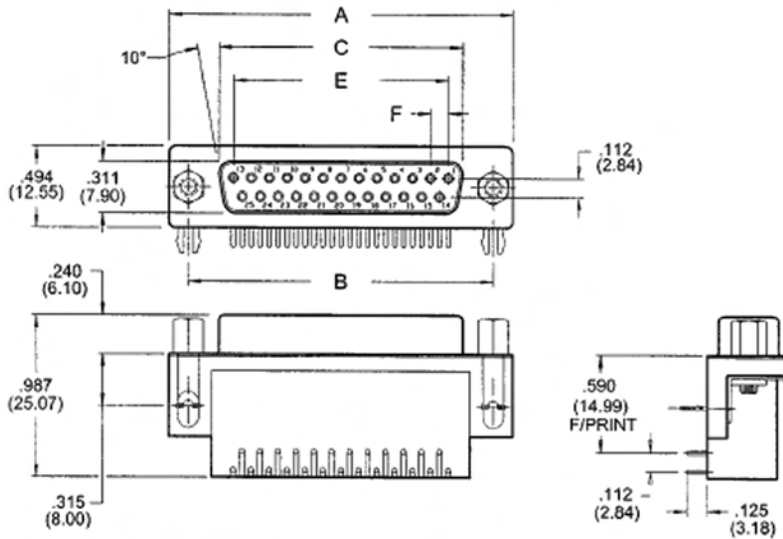
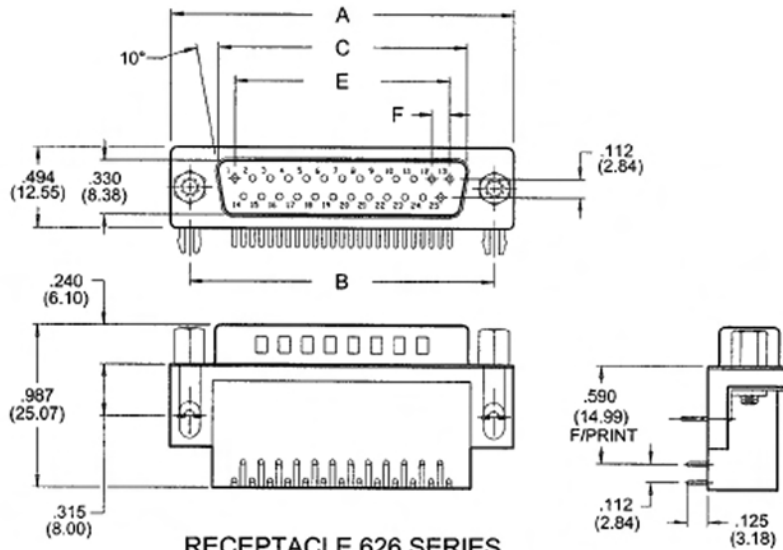
Total Contacts	
009, 015, 025, 037	

Contact/Plating Code	Right angle .590" (14.99mm) footprint
262	Gold Flash (Class 3)
562	10u" (0.25um) (Class 2)
662	30u" (0.76um) (Class 1)

Material Code	
0	Indicates generic internal use code

Grounding Feature	
1	.120 " (3.05mm) dia. through-hole top ground
2	.120 " (3.05MM) dia. through-hole bottom ground
3	Two-prong boardlock for .120" (3.05mm) dia. PCB hole
4	Four-prong boardlock for .120" (3.05mm) dia. PCB hole

Mounting Option	
0	Fixed hex standoff
1	.125" (3.18mm) dia. through-hole
2	#4-40 UNC threaded insert
3	#4-40 UNC threaded standoff



NUMBER OF CONTACTS	A		B		C PLUG		C RECEPTACLE		E		F	
	Inch	(mm)	Inch	(mm)	Inch	(mm)	Inch	(mm)	Inch	(mm)	Inch	(mm)
9	1.214	(30.84)	.984	(24.99)	.667	(16.92)	.640	(16.26)	.432	(10.97)	.108	(2.74)
15	1.545	(39.24)	1.312	(33.32)	.994	(25.25)	.967	(24.56)	.756	(19.20)	.108	(2.74)
25	2.088	(53.04)	1.852	(47.04)	1.534	(38.96)	1.508	(38.30)	1.304	(33.12)	.109	(2.76)
37	2.730	(69.34)	2.500	(63.50)	2.182	(53.08)	2.156	(54.76)	1.956	(49.68)	.109	(2.76)