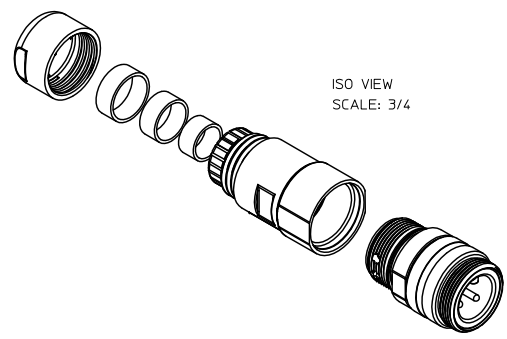
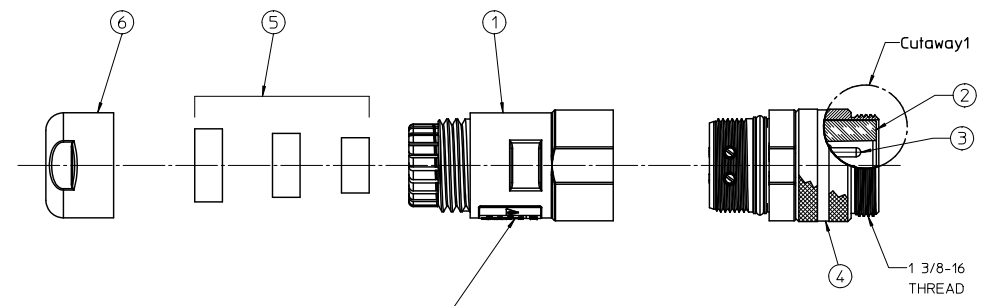


13 12 11 10 9 8 7 6 5 4 3 2 1

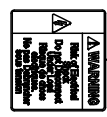
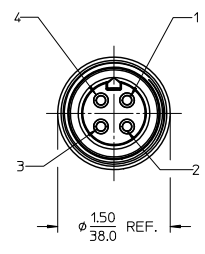
- NOTES:
 1. MATERIAL: SEE TABLE
 2. FINISHES: SEE TABLE
 3. PACKAGING: PART IS PACKED IN CLEAR POLY BAG WITH BARCODE LABEL ATTACHED.
 4. MATES WITH: BRAD FEMALE RECEPTACLE
 5. WIRE RANGE: 8 AWG - 14 AWG (10.0mm² - 2.5mm²)
 6. CABLE OD RANGE: .48 - .81 (12.2mm-20.6mm)
 7. ELECTRICAL SPECIFICATIONS:
 VOLTAGE RATING: 600V AC
 CURRENT RATING:
 8 AWG - 25 AMPS
 10 AWG - 25 AMPS
 12 AWG - 20 AMPS
 14 AWG - 15 AMPS
 8. ENVIRONMENTAL PROTECTION: IP67, IP69K



ISO VIEW
SCALE: 3/4



Cutaway1
 1 3/8-16
 THREAD



ITEM	QTY.	DESCRIPTION	MATERIAL	FINISH
7	1	WARNING LABEL	PLASTIC FILM	
6	1	COMPRESSION NUT	NYLON	BLACK
5	3	GROMMETS (SMALL, MEDIUM & LARGE)	NEOPRENE	
4	1	COUPLER, EXTERNAL THREAD	ALUMINIUM	CLEAR ANNOIDIZE
3	4	CONTACT PIN	Cu ALLOY	GOLD PLATED
2	1	CONTACT INSULATOR	PVC	PVC
1	1	FIELD ATTACHABLE BODY	NYLON	BLACK

RELEASED	EC NO. NNA2010-0466
DRW: R. STONE	2010/01/20
CHK: B. WOODMAN	2010/01/29
APP: J. MURPHY	2010/01/29
DESCRIPTION	QUALITY SYMBOLS
	▽=0
	▽=0

GENERAL TOLERANCES (UNLESS SPECIFIED)		
	mm	INCH
4 PLACES	+ .005	+ .0004
3 PLACES	+ .003	+ .0002
2 PLACES	+ .002	+ .0001
1 PLACE	+ .001	+ .00005
ANGULAR ±1/2°		

MATERIAL NO.		ENGINEERING NO.	
1300700024		CA4006-39	
DRAWN BY	DATE	TITLE	THIRD ANGLE PROJECTION
R. STONE	2010/01/20	QC, FIELD ATTACHABLE	INCH
CHECKED BY	DATE	4P, MALE, STRAIGHT	
B. WOODMAN	2010/01/21	MOLEX INCORPORATED	
APPROVED BY	DATE	MATERIAL NO.	DOCUMENT NO.
J. MURPHY	2010/01/29	SEE CHART	SD-130070-009
DRAFT WHERE APPLICABLE MUST REMAIN WITHIN DIMENSIONS		THIS DRAWING CONTAINS INFORMATION THAT IS PROPRIETARY TO MOLEX INCORPORATED AND SHOULD NOT BE USED WITHOUT WRITTEN PERMISSION	
SIZE	C		SHEET NO. 1 OF 1

Id_frame_C_P_AM_T Rev. E 2006/04/15 12 11 10 9 8 7 6 5 4 3 2 1