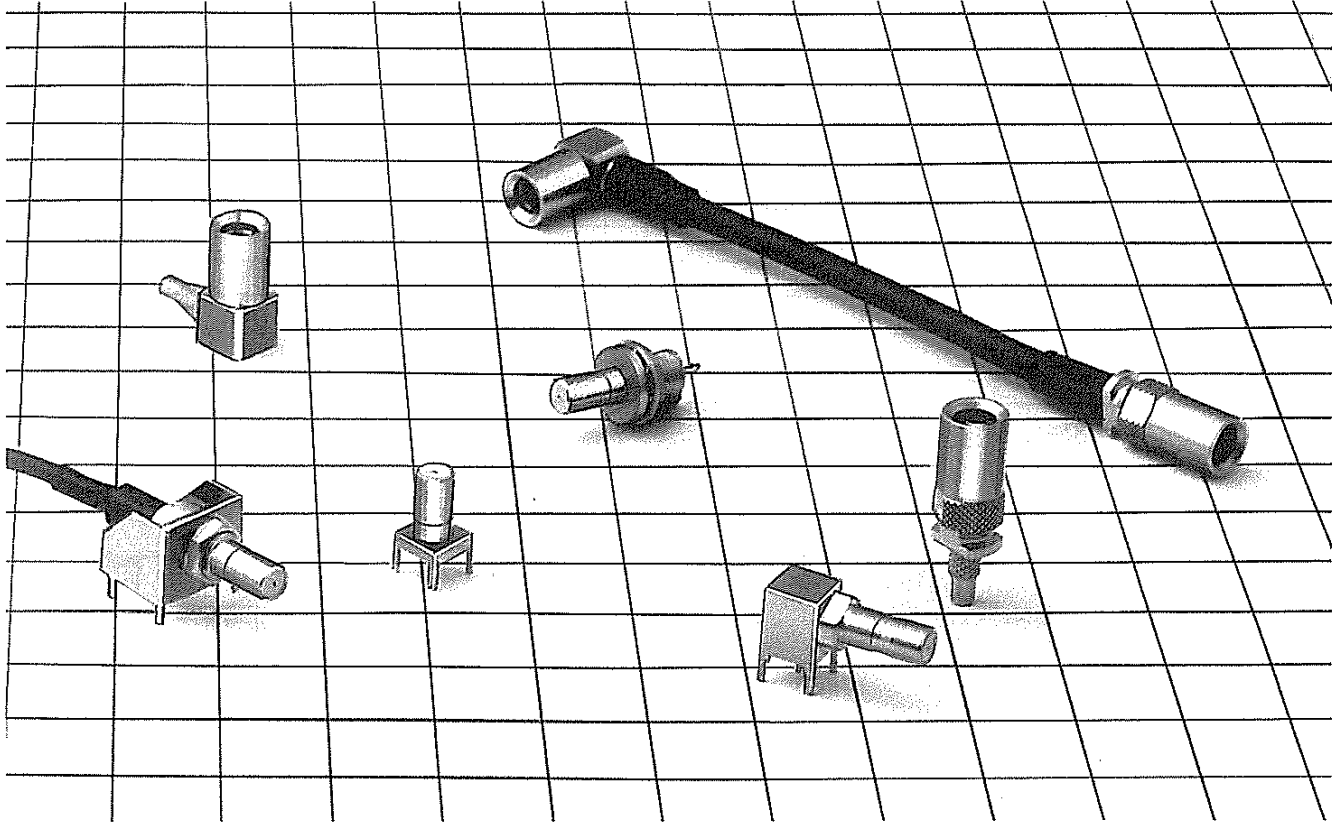


PL71 SERIES RF CO-AXIAL CONNECTORS

75 OHM SUB-MINIATURE PUSH-ON LOCK COAXIAL CONNECTORS

GENERAL

The PL71 series are matched impedance sub-miniature 75 ohm coaxial connectors developed for high-frequency digital transmission using small overall diameter coaxial cable. These connectors are well suited when high-density packaging is a must.



FEATURES

- (1) Sub-miniature design has reduced overall size by 20% as compared with our standard 75 ohm coaxial connectors.
- (2) The unique coupling method was designed to insure electrical integrity and with an outer sleeve to increase stability to improve reliability.
- (3) To protect the small O.D. coaxial cable HIROSE has incorporated a fixed structure for the center contact. This will eliminate mechanical stress on the cable during insertion and removal or rotation of the connector.
- (4) VSWR for this sub-miniature coaxial connector is less than 1.2.

APPLICATIONS

These connectors are designed for use in radio equipment, electronic measuring equipment, CATV, or in any design where space is critical.

PL71 SERIES RF CO-AXIAL CONNECTORS

MATERIAL AND PLATING

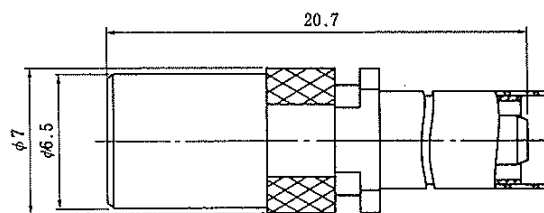
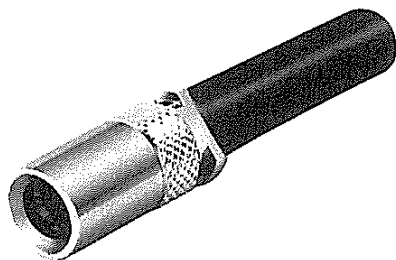
Component	Material	Plating
Shell	Brass	Nickel plating
Male contact	Brass	Gold plating
Female contact	Beryllium copper	Gold plating
Insulation	Tetrafluoride resin	
Lock spring	Beryllium copper	Nickel plating

PERFORMANCE SPECIFICATION

Item	Specification
Characteristic impedance	75 ohms
Insulation resistance	Less than 1000M ohms at 500VAC
Contact resistance	Center and outer contact less than 6m ohms at 1ADC
Withstanding voltage	1 min at 500VAC rms
VSWR	Less than 1.2 for 10MHz to 1GHz

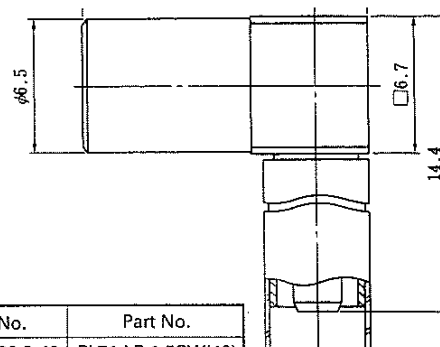
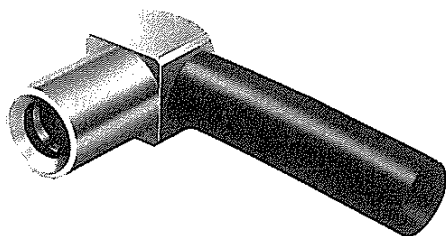
PLUGS

Straight Type



HRS No.	Part No.
CL334-0001-5-40	PL71-P-1.5CW(40)

Right Angle Type

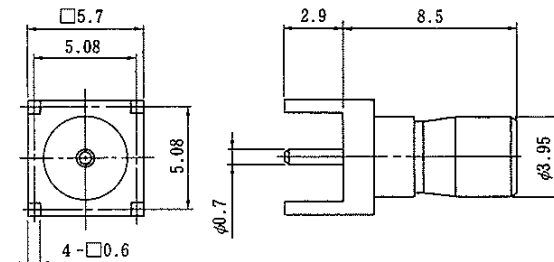
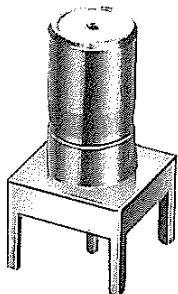


HRS No.	Part No.
CL334-0006-9-40	PL71-LP-1.5CW(40)

PL71 SERIES RF CO-AXIAL CONNECTORS

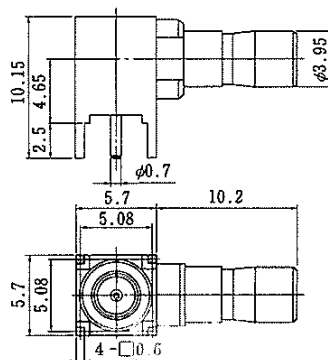
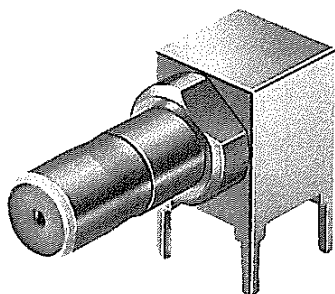
RECEPTACLES

Straight Dip Type



HRS No.	Part No.
CL334-0011-9-40	PL71-R-PC(40)

Right Angle Dip Type



HRS No.	Part No.
CL334-0016-2-40	PL71-LR-PC(40)