

AS85049/48-2 Rectangular Backshells



Rectangular
Backshells

Connector Interface
MIL-DTL-24308

M85049/48-2-3 F

Basic Part No. _____
 Dash No. _____
 Finish _____
 F = Yellow Chromate over Cadmium

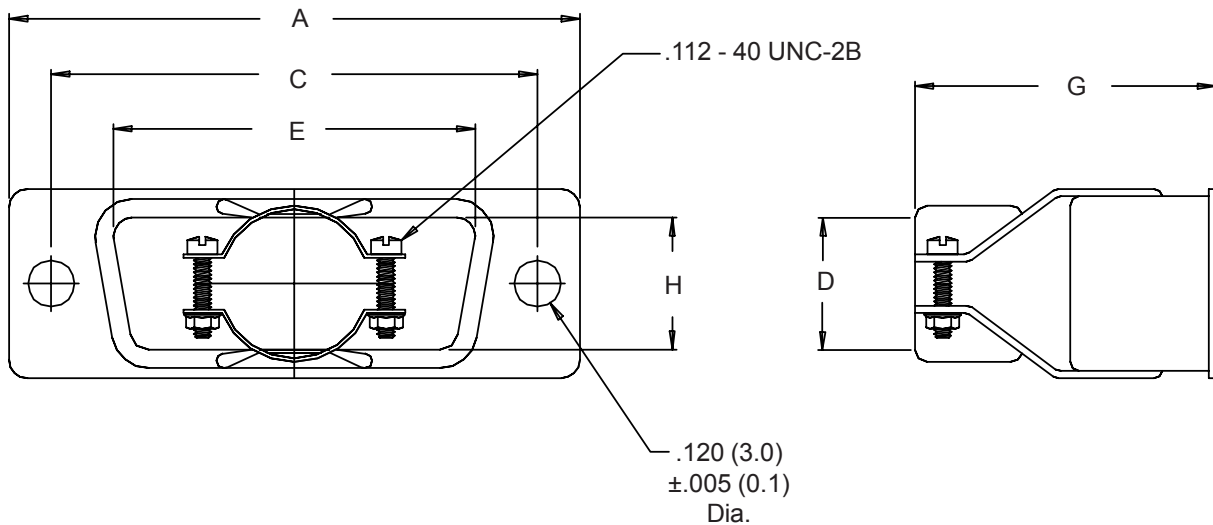


TABLE I

Dash No.	A		C		D	E		G		H		
	$\pm .015$	(0.4)	$\pm .005$	(.1)		$\pm .015$	(0.4)	$\pm .030$	(0.8)	$\pm .015$	(0.4)	
1	1.208	(30.7)	.984	(25.0)	.406	(10.3)	.661	(16.8)	1.031	(26.2)	.344	(8.7)
2	1.531	(38.9)	1.312	(33.3)	.406	(10.3)	.984	(25.0)	1.031	(26.2)	.344	(8.7)
3	2.078	(52.8)	1.852	(47.0)	.593	(15.1)	1.515	(38.5)	1.062	(27.0)	.344	(8.7)
4	2.718	(69.0)	2.500	(63.5)	.718	(18.2)	2.171	(55.1)	1.062	(27.0)	.344	(8.7)
5	2.625	(66.7)	2.406	(61.1)	.812	(20.6)	2.093	(53.2)	1.062	(27.0)	.438	(11.1)

1. For complete dimensions see applicable Military Specification.
2. Metric dimensions (mm) are indicated in parentheses.
3. Material: Steel.