

# AS85049/82, AS85049/83, and AS85049/84 Banding Backshells



Crimp Ring  
and Banding  
Backshells

## Glenair Connector Designator A

MIL-DTL-5015 Series 3400,  
MIL-DTL-26482 Series 2,  
AS81703 Series 3,  
MIL-DTL-83723 Series I &  
III, 40M39569, DEF 5326-3,  
EN 2997, EN 3646,  
ESC 10, ESC 11, LN 29504,  
NFC93422 Series HE302,  
PAN 6432-1, PAN 6432-2,  
PATT 602

**M85049/82-16 P 02**

Basic Part No.:  
M85049/82 = Straight  
M85049/83 = 45°  
M85049/84 = 90°

Shell Size

Entry Size

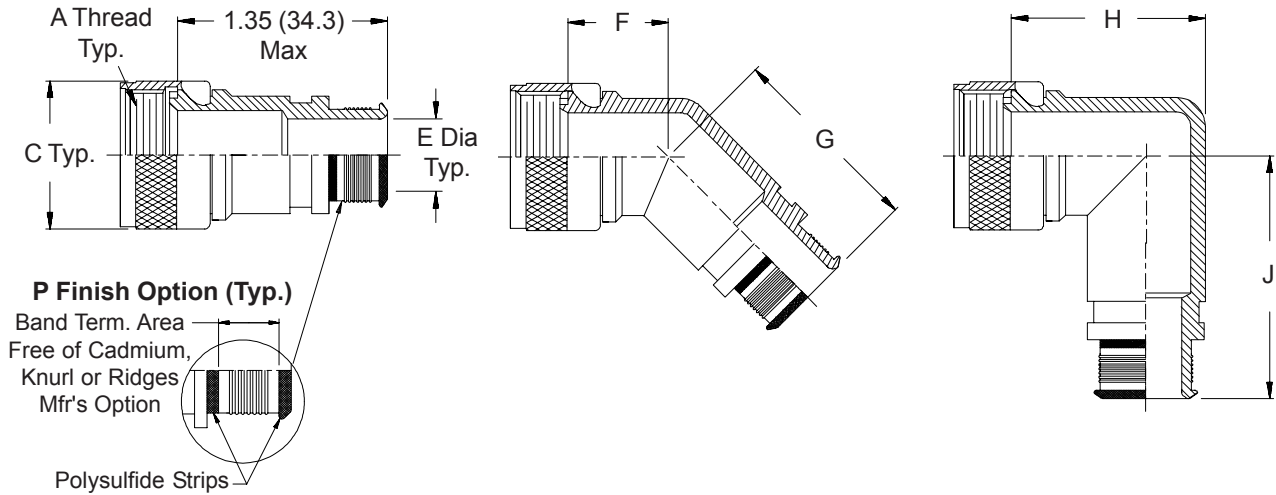
Finish

N = Electroless Nickel

P = Cadmium Olive Drab over  
Electroless Nickel with  
Polysulfide Sealant Strips

W = 1,000 Hour Cadmium Olive  
Drab Over Electroless Nickel

### Self Locking Coupling



**TABLE I**

Shell Size	A Thread Class 2B	C Dia Max	E Dia		F Max	G Max	H Max	J Max
			Cable Entry Size 02 ±.010 (.3)	Cable Entry Size 03 ±.010 (.3)				
08	.500 - 20 UNF	.88 (22.4)	N/A	.250 (6.4)	.87 (22.1)	1.16 (29.5)	1.188 (30.2)	1.417 (36.0)
10	.625 - 24 UNEF	1.01 (25.7)	N/A	.312 (7.9)	.89 (22.6)	1.18 (30.0)	1.281 (32.5)	1.480 (37.6)
12	.750 - 20 UNEF	1.13 (28.7)	.312 (7.9)	.438 (11.1)	.92 (23.4)	1.20 (30.5)	1.406 (35.7)	1.542 (39.2)
14	.875 - 20 UNEF	1.26 (32.0)	.438 (11.1)	.562 (14.3)	.94 (23.9)	1.22 (31.0)	1.531 (38.9)	1.605 (40.8)
16	1.000 - 20 UNEF	1.38 (35.1)	.500 (12.7)	.625 (15.9)	.96 (24.4)	1.25 (31.8)	1.656 (42.1)	1.667 (42.3)
18	1.062 - 18 UNEF	1.51 (38.4)	.625 (15.9)	.750 (19.1)	.98 (24.9)	1.26 (32.0)	1.718 (43.6)	1.730 (43.9)
20	1.188 - 18 UNEF	1.63 (41.4)	.625 (15.9)	.812 (20.6)	1.00 (25.4)	1.29 (32.8)	1.844 (46.8)	1.792 (45.5)
22	1.313 - 18 UNEF	1.76 (44.7)	.688 (17.5)	.938 (23.8)	1.03 (26.2)	1.31 (33.3)	1.938 (49.2)	1.850 (47.0)
24	1.438 - 18 UNEF	1.88 (47.8)	.750 (19.1)	1.000 (25.4)	1.05 (26.7)	1.34 (34.0)	2.093 (53.2)	1.917 (48.7)
28	1.750 - 18 UNS	2.13 (54.1)	.875 (22.2)	1.125 (28.6)	1.10 (27.9)	1.38 (35.1)	2.531 (64.3)	2.042 (51.9)

1. For complete dimensions see applicable Military Specification.
2. Metric dimensions (mm) are indicated in parentheses.