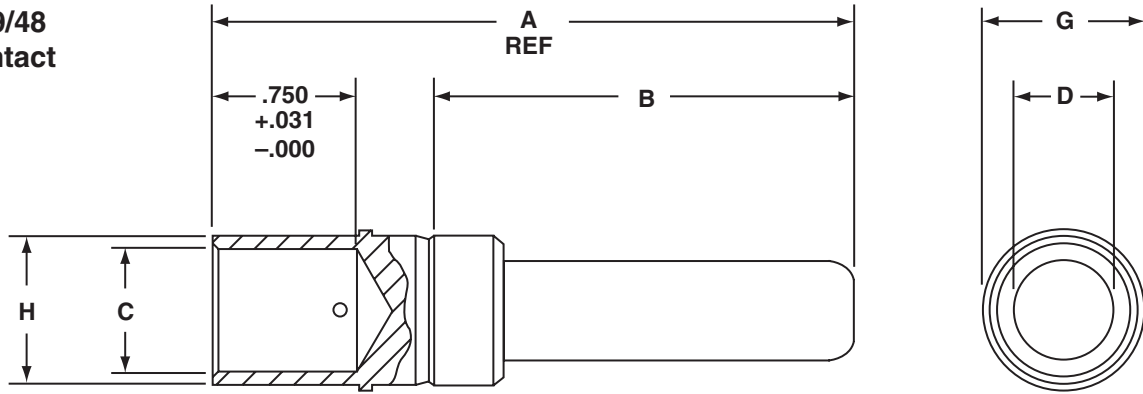


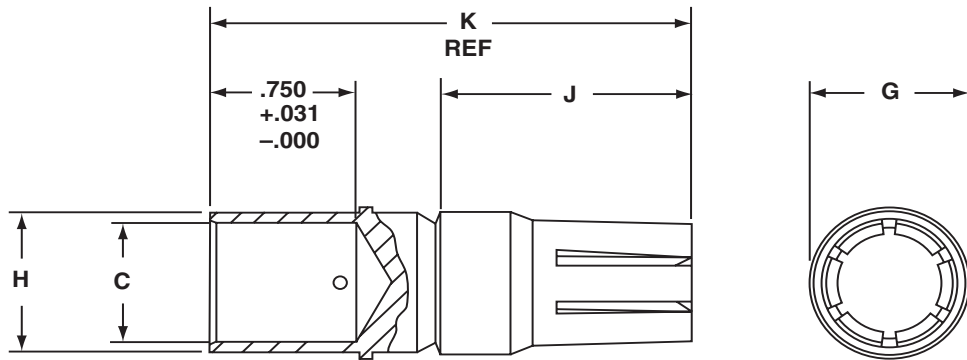
MIL-C-22992, Class L Accessories

contacts

**M39029/48
pin contact**



**M39029/49
socket contact**



All dimensions for reference only.

| Socket MS Part Number* | Pin MS Part Number | Contact Size | Wire Well Size | A Ref. | B $\pm .005$ | C Dia $\pm .001$ | D Dia $\pm .001$ | G Dia | H Dia | J $\pm .005$ | K Ref |
|------------------------|--------------------|--------------|----------------|--------|--------------|------------------------|------------------|-----------------|------------------------|--------------|-------|
| M39029/49-335 | M39029/48-327 | 4/0 | 4/0 | 3.207 | 2.097 | $.641^{+.004}_{-.003}$ | .500 | $.781 \pm .003$ | $.750^{+.004}_{-.003}$ | 1.283 | 2.393 |
| --- | M39029/48-328 | 4/0N | 4/0 | 3.325 | 2.215 | $.641^{+.004}_{-.003}$ | .500 | $.781 \pm .003$ | $.750^{+.004}_{-.003}$ | --- | --- |
| M39029/49-333 | M39029/48-323 | 1/0 | 1 | 3.207 | 2.097 | $.406^{+.004}_{-.003}$ | .357 | $.609 \pm .003$ | $.506^{+.004}_{-.003}$ | 1.283 | 2.393 |
| --- | M39029/48-324 | 1/0N | 1 | 3.325 | 2.215 | $.406^{+.004}_{-.003}$ | .357 | $.609 \pm .003$ | $.506^{+.004}_{-.003}$ | --- | --- |
| M39029/49-331 | M39029/48-320 | 4 | 4 | 2.786 | 1.738 | $.281 \pm .002$ | .225 | $.417 \pm .002$ | $.374 \pm .002$ | 1.158 | 2.206 |
| --- | M39029/48-321 | 4N | 4 | 2.904 | 1.856 | $.281 \pm .002$ | .225 | $.417 \pm .002$ | $.374 \pm .002$ | --- | --- |
| M39029/49-329 | M39029/48-317 | 6 | 6 | 2.786 | 1.738 | $.234 \pm .002$ | .178 | $.342 \pm .002$ | $.312 \pm .002$ | 1/158 | 2.206 |
| --- | M39029/48-318 | 6N | 6 | 2.904 | 1.856 | $.234 \pm .002$ | .178 | $.342 \pm .002$ | $.312 \pm .002$ | --- | --- |
| M39029/49-332 | M39029/48-322 | 4G | 4 | 2.856 | 1.746 | $.281 \pm .002$ | .225 | $.417 \pm .002$ | $.374 \pm .002$ | 1.752 | 2.862 |
| M39029/49-330 | M39029/48-319 | 6G | 6 | 2.856 | 1.746 | $.234 \pm .002$ | .178 | $.342 \pm .002$ | $.312 \pm .002$ | 1.752 | 2.862 |

*Order by MS part number listed for either socket or pin.

MIL-C-22992, Class L Accessories

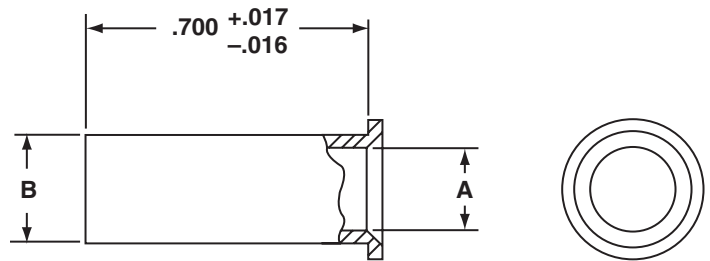
contact bushing/removal tool

MS3348 contact bushing

All dimensions for reference only.

| MS Part Number* | Contact Wire Barrel Size (Ref) | Wire Size (Ref) | A Dia +.010 -.003 | B Dia +.002 -.003 |
|-----------------|--------------------------------|-----------------|-------------------------|-------------------------|
| MS3348-1 - 2L | 1 | 2 | .359 | .396 |
| MS3348-4 - 5L | 4 | 5 | .250 | .272 |
| MS3348-4 - 6L | 4 | 6 | .225 | .272 |
| MS3348-6 - 8L | 6 | 8 | .185 | .225 |
| MS3348-6 - 9L | 6 | 9 | .155 | .225 |
| MS3348-1 - 6L | 1 | 6 | .225 | .396 |
| MS3348-4 - 8L | 4 | 8 | .185 | .272 |
| MS3348-6 - 10L | 6 | 10 | .136 | .225 |
| MS3348-4/0-2/0L | 4/0 | 2/0 | .500 | .629 |

* Order by MS part number listed.

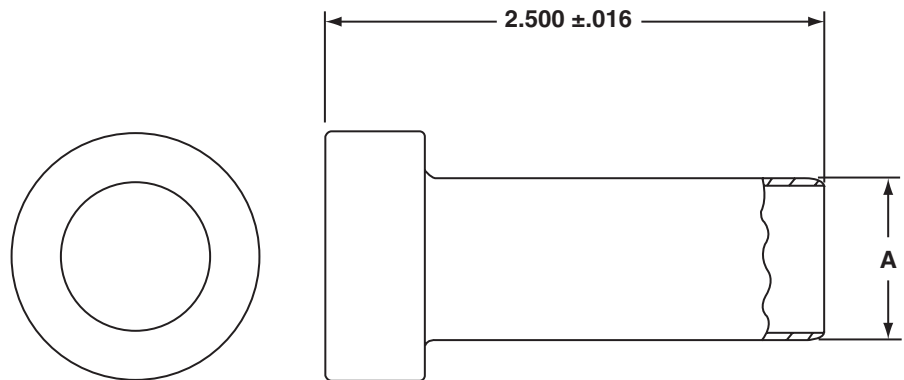


MS90562 contact removal tool

All dimensions for reference only.

| MS Part Number* | Contact Size | A Dia +.000 -.002 |
|-----------------|--------------|-------------------------|
| MS90562-1 | 4/0 | .790 |
| MS90562-2 | 2/0 | .696 |
| MS90562-3 | 1/0 | .558 |
| MS90562-4 | 2 | .462 |
| MS90562-5 | 4 | .376 |
| MS90562-6 | 6 | .354 |

* Order by MS part number listed.



MIL-C-22992, Class L Accessories

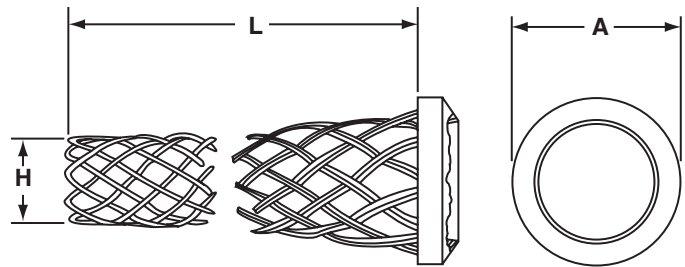
cable strain relief/cable sealing gland

MS90561 cable strain relief

All dimensions for reference only.

| MS Part Number* | Arrangement Number | A Dia +.000 -.010 | H Dia Cable Range | | L Approx. |
|-----------------|--------------------|-------------------------|----------------------|-------|--------------|
| | | | Max | Min | |
| MS90561-2 | 28-13, 32-12 | 1.797 | 1.145 | 1.003 | 8.000 |
| MS90561-4 | 28-02, -04 | 1.797 | .844 | .688 | 7.500 |
| MS90561-12 | 28-12 | 1.797 | 1.047 | .891 | 8.000 |
| MS90561-13 | 32-13 | 1.797 | 1.342 | 1.185 | 9.500 |
| MS90561-15 | 44-12 | 2.235 | 1.516 | 1.360 | 11.500 |
| MS90561-16 | 44-13 | 2.235 | 1.688 | 1.531 | 13.500 |
| MS90561-17 | 52-12 | 2.922 | 2.328 | 2.039 | 18.000 |
| MS90561-18 | 52-13 | 2.922 | 2.500 | 2.211 | 19.000 |
| MS90561-19 | 44-51 | 2.235 | 1.750 | 1.550 | 12.500 |
| MS90561-20 | 44-52 | 2.235 | 1.578 | 1.375 | 12.000 |
| MS90561-21 | 44-56 | 2.235 | 1.160 | 1.010 | 8.000 |

* Order by MS part number listed.



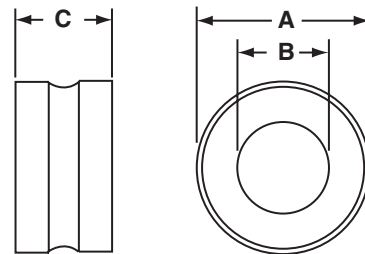
MS23747 cable sealing gland

All dimensions for reference only.

| MS Part Number* | Arrangement Number | A Dia +.000 -.020 | B Dia +.020 -.000 | C ±.010 | Min Cable Dia Ref. |
|-----------------|----------------------|-------------------------|-------------------------|------------|--------------------|
| MS23747-2 | 28-13, 32-05, -12 | 1.805 | 1.130 | 1.034 | 1.005 |
| MS23747-12 | 28-12 | 1.805 | 1.047 | 1.034 | .922 |
| MS23747-13 | 32-13 | 1.805 | 1.342 | 1.034 | 1.217 |
| MS23747-14 | 44-03 | 2.242 | 1.438 | 1.160 | 1.313 |
| MS23747-15 | 44-12 | 2.242 | 1.516 | 1.160 | 1.391 |
| MS23747-16 | 44-13 | 2.242 | 1.672 | 1.160 | 1.547 |
| MS23747-18 | 52-12 | 2.927 | 2.328 | 1.284 | 2.183 |
| MS23747-19 | 52-13 | 2.927 | 2.453 | 1.284 | 2.308 |
| MS23747-20 | 44-51 | 2.242 | 1.734 | 1.160 | 1.609 |
| MS23747-21 | 44-52 | 2.242 | 1.562 | 1.160 | 1.437 |
| MS23747-22 | 44-56 | 2.242 | 1.150 | 1.160 | 1.025 |

* Order by MS part number listed.

This gland must be used with MS90561 strain relief.



MIL-C-22992, Class L Accessories

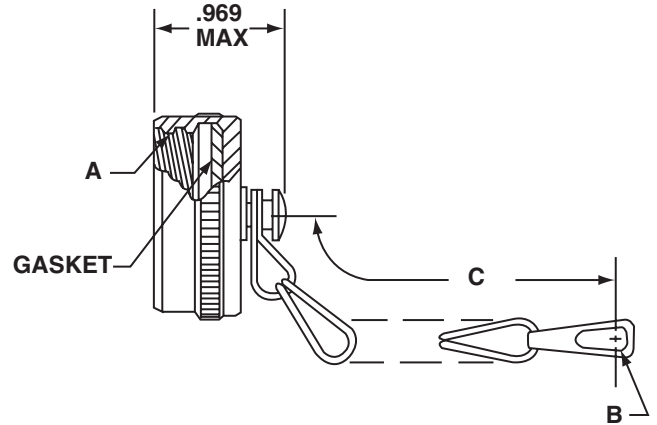
protective covers

MS90563 protective covers used with: MS90555 wall mount receptacle MS90557 cable connecting receptacle

All dimensions for reference only.

| MS Part Number* | Use with Shell Size | A Thread Class 2B .1428P-.2857L Double Stub | B Dia Ref | | C Approx. |
|-----------------|---------------------|---|-------------|-------------|-----------|
| | | | For MS90555 | For MS90557 | |
| MS90563-1() | 28 | 2.000 | .177 | .177 | 6.000 |
| MS90563-3() | 32 | 2.250 | .209 | — | 4.500 |
| MS90563-4() | 32 | 2.250 | — | .177 | 6.000 |
| MS90563-7() | 44 | 3.000 | .281 | .281 | 7.500 |
| MS90563-11() | 52 | 3.500 | .281 | .281 | 7.500 |

* To complete MS part number, add letter C (Conductive) for AC or N (Non-conductive) for DC connector assemblies.

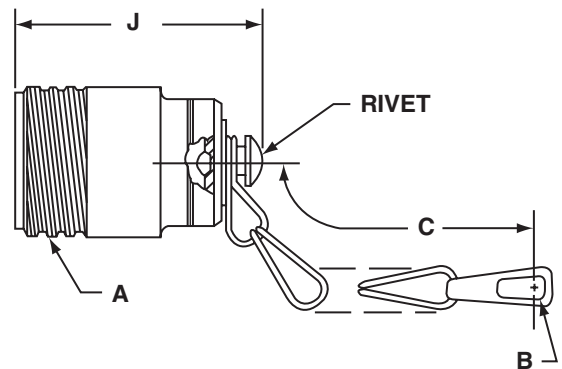


MS90564 protective covers used with: MS90556 straight plug MS90558 wall mount plug

All dimensions for reference only.

| MS Part Number* | Use with Shell Size | A Thread Class 2A (Plated) .1428P-.2857L Double Stub | B Dia Ref | | C Approx. | J Max |
|-----------------|---------------------|--|-------------|-------------|-----------|-------|
| | | | For MS90556 | For MS90558 | | |
| MS90564-1() | 28 | 2.000 | .177 | .177 | 7.500 | 2.266 |
| MS90564-3() | 32 | 2.250 | — | .209 | 6.000 | 2.266 |
| MS90564-4() | 32 | 2.250 | .177 | — | 7.500 | 2.266 |
| MS90564-7() | 44 | 3.000 | .281 | .281 | 8.500 | 2.484 |
| MS90564-11() | 52 | 3.500 | .281 | .281 | 8.500 | 2.484 |

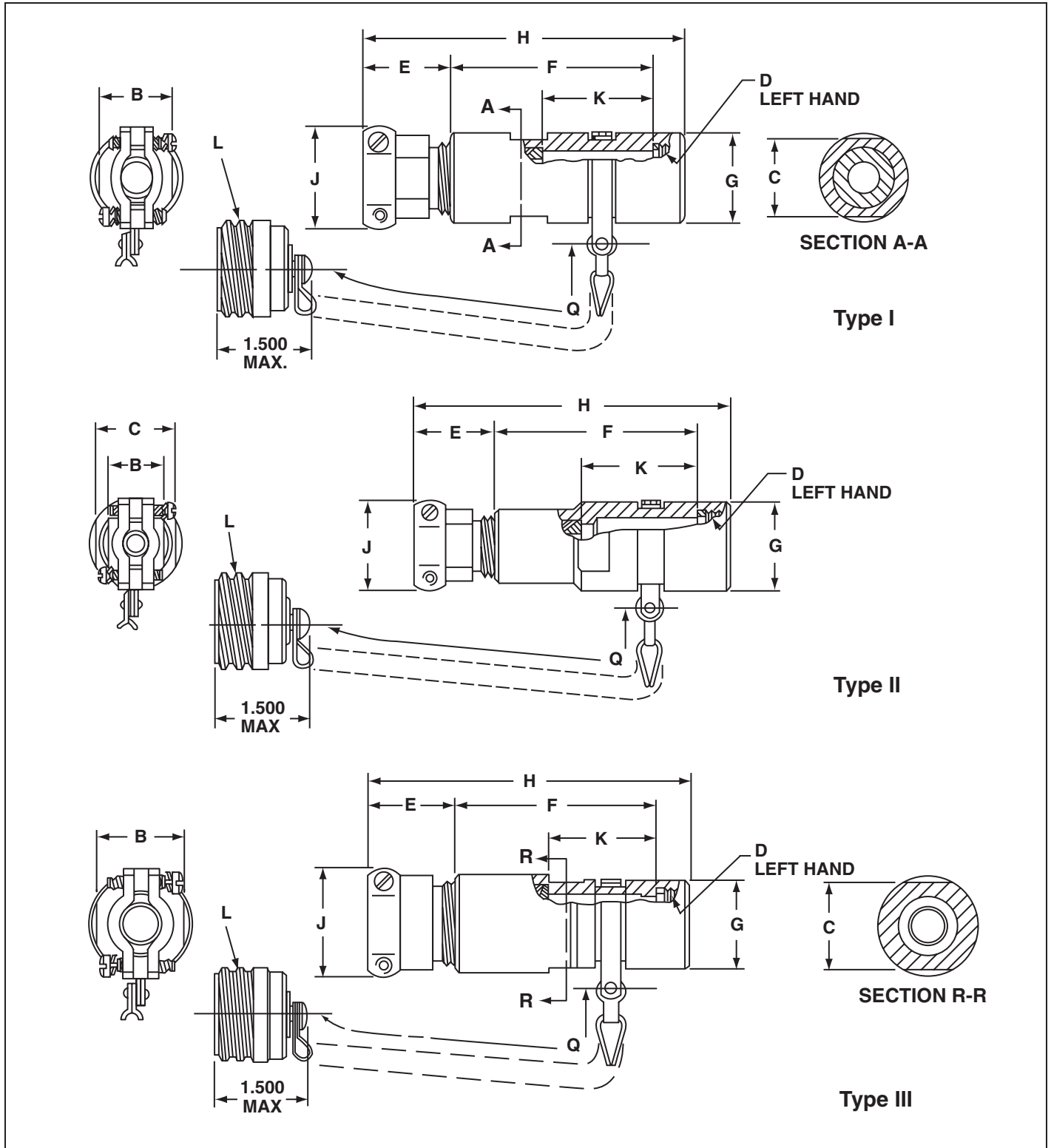
* To complete MS part number, add letter C (Conductive) for AC or N (Non-conductive) for DC connector assemblies.



MIL-C-22992, QWLD Accessories

M85049 or 10-522958

cable sealing adapters (plug)



MIL-C-22992, QWLD Accessories M85049 or 10-522958 cable sealing adapters (plug)

All dimensions for reference only.

| MS Part Number* | Superseded MS Part Number | Proprietary Part Number* | Used With Shell Size | Cable Range | | B +.000 -.010 | C +.000 -.010 | D Thread Class 2B-LH | E Free Length Max | F +.010 -.020 | G Dia +.010 -.020 | H Max | J ±.031 | K +.015 -.025 | L Thread Class 2A (Plated) 0.1P-0.2L Double Stub | Q Approx. | Type |
|-----------------|---------------------------|--------------------------|----------------------|-------------|---------|---------------------|---------------------|----------------------------|-------------------------|---------------------|----------------------------|----------|------------|---------------------|--|--------------|------|
| | | | | Max Dia | Min Dia | | | | | | | | | | | | |
| M85049/4A1A1 | MS17342N1A1 | 10-522958-131 | 12 | .530 | .436 | 1.000 | .812 | .750-20UNEF | 1.062 | 2.719 | .938 | 4.275 | 1.375 | 1.219 | .8750 | 5.000 | III |
| M85049/4A2A1 | MS17342N2A1 | 10-522958-132 | 12 | .500 | .406 | .875 | .938 | .750-20UNEF | .969 | 2.215 | .938 | 3.678 | 1.125 | .871 | .8750 | 5.000 | III |
| M85049/4A3A1 | MS17342N3A1 | 10-522958-133 | 12 | .405 | .311 | 1.000 | .812 | .750-20UNEF | 1.062 | 2.719 | .938 | 4.275 | 1.375 | 1.219 | .8750 | 5.000 | III |
| M85049/3A1A1 | MS17340N1A1 | 10-522958-134 | 12 | .375 | .281 | .750 | .812 | .750-20UNEF | .969 | 1.902 | .938 | 3.365 | 1.062 | .621 | .8750 | 5.000 | I |
| M85049/3A2A1 | MS17340N2A1 | 10-522958-135 | 12 | .281 | .188 | .750 | .812 | .750-20UNEF | .969 | 1.902 | .938 | 3.365 | 1.062 | .621 | .8750 | 5.000 | I |
| M85049/5A1A1 | MS17341N1A1 | 10-522958-136 | 12 | .250 | .156 | .825 | .812 | .750-20UNEF | .906 | 1.782 | .938 | 3.182 | .938 | .563 | .8750 | 5.000 | II |
| M85049/4A5A1 | MS17342N5A1 | 10-522958-151 | 14 | .625 | .531 | 1.062 | 1.125 | .875-20UNEF | 1.062 | 2.933 | 1.062 | 4.489 | 1.562 | 1.371 | 1.0000 | 5.000 | III |
| M85049/4A4A1 | MS17342N4A1 | 10-522958-152 | 14 | .605 | .511 | 1.000 | 1.062 | .875-20UNEF | 1.062 | 2.621 | 1.062 | 4.177 | 1.375 | 1.121 | 1.0000 | 5.000 | III |
| M85049/4A6A1 | MS17342N6A1 | 10-522958-153 | 14 | .530 | .436 | 1.000 | 1.062 | .875-20UNEF | 1.062 | 2.621 | 1.062 | 4.177 | 1.375 | 1.121 | 1.0000 | 5.000 | III |
| M85049/3A3A1 | MS17340N3A1 | 10-522958-154 | 14 | .438 | .344 | .875 | .938 | .875-20UNEF | .969 | 2.215 | 1.062 | 3.678 | 1.125 | .871 | 1.0000 | 5.000 | I |
| M85049/4A7A1 | MS17342N7A1 | 10-522958-155 | 14 | .405 | .311 | 1.000 | 1.062 | .875-20UNEF | 1.062 | 2.621 | 1.062 | 4.177 | 1.375 | 1.121 | 1.0000 | 5.000 | III |
| M85049/3A4A1 | MS17340N4A1 | 10-522958-171 | 16 | .605 | .511 | 1.000 | 1.062 | 1.000-20UNEF | 1.062 | 2.621 | 1.188 | 4.177 | 1.375 | 1.121 | 1.1250 | 5.000 | I |
| M85049/3A5A1 | MS17340N5A1 | 10-522958-172 | 16 | .530 | .436 | 1.000 | 1.062 | 1.000-20UNEF | 1.062 | 2.621 | 1.188 | 4.177 | 1.375 | 1.121 | 1.1250 | 5.000 | I |
| M85049/3A6A1 | MS17340N6A1 | 10-522958-173 | 16 | .405 | .311 | 1.000 | 1.062 | 1.000-20UNEF | 1.062 | 2.621 | 1.188 | 4.177 | 1.375 | 1.121 | 1.1250 | 5.000 | I |
| M85049/4A8A1 | MS17342N8A1 | 10-522958-181 | 18 | .828 | .715 | 1.188 | 1.250 | 1.125-18UNEF | 1.094 | 2.996 | 1.312 | 4.584 | 1.688 | 1.343 | 1.2500 | 5.000 | III |
| M85049/3A8A1 | MS17340N8A1 | 10-522958-182 | 18 | .699 | .605 | 1.062 | 1.125 | 1.125-18UNEF | 1.062 | 2.933 | 1.312 | 4.489 | 1.562 | 1.371 | 1.2500 | 5.000 | I |
| M85049/3A7A1 | MS17340N7A1 | 10-522958-183 | 18 | .625 | .531 | 1.062 | 1.125 | 1.125-18UNEF | 1.062 | 2.933 | 1.312 | 4.489 | 1.562 | 1.371 | 1.2500 | 5.000 | I |
| M85049/5A5A1 | MS17341N5A1 | 10-522958-184 | 18 | .605 | .511 | 1.000 | 1.125 | 1.125-18UNEF | 1.062 | 2.621 | 1.312 | 4.177 | 1.375 | 1.121 | 1.2500 | 5.000 | II |
| M85049/5A6A1 | MS17341N6A1 | 10-522958-185 | 18 | .530 | .436 | 1.000 | 1.125 | 1.125-18UNEF | 1.062 | 2.621 | 1.312 | 4.177 | 1.375 | 1.121 | 1.2500 | 5.000 | II |
| M85049/3A9A1 | MS17340N9A1 | 10-522958-186 | 18 | .500 | .406 | 1.062 | 1.125 | 1.125-18UNEF | 1.062 | 2.933 | 1.312 | 4.489 | 1.562 | 1.371 | 1.2500 | 5.000 | I |
| M85049/3A10A1 | MS17340N10A1 | 10-522958-187 | 18 | .455 | .361 | 1.062 | 1.125 | 1.125-18UNEF | 1.062 | 2.933 | 1.312 | 4.489 | 1.562 | 1.371 | 1.2500 | 5.000 | I |
| M85049/5A2A1 | MS17341N2A1 | 10-522958-188 | 18 | .375 | .281 | .750 | 1.125 | 1.125-18UNEF | .969 | 2.438 | 1.312 | 3.901 | 1.062 | 1.157 | 1.2500 | 5.000 | II |
| M85049/5A3A1 | MS17341N3A1 | 10-522958-189 | 18 | .375 | .281 | .875 | 1.125 | 1.125-18UNEF | .969 | 2.469 | 1.312 | 3.932 | 1.125 | 1.125 | 1.2500 | 5.000 | II |
| M85049/5A4A1 | MS17341N4A1 | 10-522958-190 | 18 | .281 | .188 | .750 | 1.125 | 1.125-18UNEF | .969 | 2.438 | 1.312 | 3.901 | 1.062 | 1.157 | 1.2500 | 5.000 | II |
| M85049/4A12A1 | MS17342N12A1 | 10-522958-201 | 20 | 1.055 | .930 | 1.546 | 1.375 | 1.250-18UNEF | 1.281 | 3.121 | 1.438 | 4.896 | 2.125 | 1.371 | 1.3750 | 5.000 | III |
| M85049/4A10A1 | MS17342N10A1 | 10-522958-202 | 20 | 1.000 | .875 | 1.546 | 1.375 | 1.250-18UNEF | 1.281 | 3.121 | 1.438 | 4.896 | 2.125 | 1.371 | 1.3750 | 5.000 | III |
| M85049/4A11A1 | MS17342N11A1 | 10-522958-203 | 20 | .900 | .787 | 1.312 | 1.375 | 1.250-18UNEF | 1.094 | 3.059 | 1.438 | 4.647 | 1.812 | 1.371 | 1.3750 | 5.000 | III |
| M85049/3A11A1 | MS17340N11A1 | 10-522958-204 | 20 | .828 | .715 | 1.188 | 1.250 | 1.250-18UNEF | 1.125 | 2.996 | 1.438 | 4.615 | 1.688 | 1.371 | 1.3750 | 5.000 | I |
| M85049/4A9A1 | MS17342N9A1 | 10-522958-205 | 20 | .750 | .637 | 1.312 | 1.375 | 1.250-18UNEF | 1.094 | 3.059 | 1.438 | 4.647 | 1.812 | 1.371 | 1.3750 | 5.000 | III |
| M85049/5A7A1 | MS17341N7A1 | 10-522958-206 | 20 | .699 | .605 | 1.062 | 1.250 | 1.250-18UNEF | 1.062 | 2.933 | 1.438 | 4.489 | 1.562 | 1.371 | 1.3750 | 5.000 | II |
| M85049/5A9A1 | MS17341N9A1 | 10-522958-207 | 20 | .605 | .511 | 1.000 | 1.250 | 1.250-18UNEF | 1.062 | 2.750 | 1.438 | 4.308 | 1.375 | 1.250 | 1.3750 | 5.000 | II |
| M85049/3A12A1 | MS17340N12A1 | 10-522958-208 | 20 | .562 | .449 | 1.188 | 1.250 | 1.250-18UNEF | 1.125 | 2.996 | 1.438 | 4.615 | 1.688 | 1.371 | 1.3750 | 5.000 | I |
| M85049/5A8A1 | MS17341N8A1 | 10-522958-209 | 20 | .455 | .361 | 1.062 | 1.250 | 1.250-18UNEF | 1.062 | 2.933 | 1.438 | 4.489 | 1.562 | 1.371 | 1.3750 | 5.000 | II |
| M85049/4A14A1 | MS17342N14A1 | 10-522958-221 | 22 | 1.109 | .984 | 1.546 | 1.625 | 1.375-18UNEF | 1.281 | 3.121 | 1.562 | 4.896 | 2.125 | 1.371 | 1.5000 | 6.000 | III |
| M85049/4A13A1 | MS17342N13A1 | 10-522958-222 | 22 | 1.000 | .875 | 1.546 | 1.625 | 1.375-18UNEF | 1.281 | 3.121 | 1.562 | 4.896 | 2.125 | 1.371 | 1.5000 | 6.000 | III |
| M85049/3A14A1 | MS17340N14A1 | 10-522958-223 | 22 | .900 | .787 | 1.312 | 1.375 | 1.375-18UNEF | 1.094 | 3.059 | 1.562 | 4.647 | 1.812 | 1.371 | 1.5000 | 6.000 | I |
| M85049/5A14A1 | MS17341N14A1 | 10-522958-224 | 22 | .828 | .715 | 1.188 | 1.406 | 1.375-18UNEF | 1.094 | 2.996 | 1.562 | 4.306 | 1.375 | 1.250 | 1.5000 | 6.000 | II |
| M85049/3A15A1 | MS17340N15A1 | 10-522958-225 | 22 | .805 | .692 | 1.312 | 1.375 | 1.375-18UNEF | 1.094 | 3.059 | 1.562 | 4.647 | 1.812 | 1.371 | 1.5000 | 6.000 | I |
| M85049/3A13A1 | MS17340N13A1 | 10-522958-226 | 22 | .750 | .637 | 1.312 | 1.375 | 1.375-18UNEF | 1.094 | 3.059 | 1.562 | 4.647 | 1.812 | 1.371 | 1.5000 | 6.000 | I |
| M85049/5A10A1 | MS17341N10A1 | 10-522958-227 | 22 | .562 | .449 | 1.188 | 1.406 | 1.375-18UNEF | 1.094 | 3.059 | 1.562 | 4.647 | 1.812 | 1.371 | 1.5000 | 6.000 | II |
| M85049/5A11A1 | MS17341N11A1 | 10-522958-228 | 22 | .405 | .311 | 1.000 | 1.375 | 1.375-18UNEF | 1.062 | 2.750 | 1.562 | 4.306 | 1.375 | 1.250 | 1.5000 | 6.000 | II |

* Ordering procedure: Locate shell size needed (Column 4); select cable diameter range to be accommodated within the shell size (column 5); order by either MS part number (column 1) or Proprietary part number (column 3).

MS numbers shown are non-conductive finish. To order conductive finish, substitute "W" for "A" in the part number listed.

10- numbers shown are non-conductive finish. To order conductive finish, substitute prefix 88-.

MIL-C-22992, QWLD Accessories

M85049 or 10-522958

cable sealing adapters (plug)

All dimensions for reference only.

| MS Part Number* | Superseded MS Part Number | Proprietary Part Number* | Used With Shell Size | Cable Range | | B +0.00 -0.01 | C +0.00 -0.01 | D Thread Class 2B-LH | E Free Length Max | F +0.01 -0.02 | G Dia +0.01 -0.02 | H Max | J ±.031 | K +0.015 -0.025 | L Thread Class 2A (Plated) 0.1P-0.2L Double Stub | Q Approx. | Type |
|-----------------|---------------------------|--------------------------|----------------------|-------------|---------|---------------------|---------------------|----------------------------|----------------------------|---------------------|----------------------------|----------|------------|-----------------------|---|--------------|------|
| | | | | Max Dia | Min Dia | | | | | | | | | | | | |
| M85049/4A18A1 | MS17342N18A1 | 10-522958-241 | 24 | 1.375 | 1.250 | 2.000 | 1.875 | 1.625-18UNEF | 1.281 | 3.184 | 1.812 | 4.959 | 2.625 | 1.309 | 1.7500 | 6.000 | III |
| M85049/4A16A1 | MS17342N16A1 | 10-522958-242 | 24 | 1.310 | 1.185 | 1.780 | 1.875 | 1.625-18UNEF | 1.281 | 3.184 | 1.812 | 4.959 | 2.469 | 1.372 | 1.7500 | 6.000 | III |
| M85049/4A17A1 | MS17342N17A1 | 10-522958-243 | 24 | 1.230 | 1.105 | 1.780 | 1.875 | 1.625-18UNEF | 1.281 | 3.184 | 1.812 | 4.959 | 2.469 | 1.372 | 1.7500 | 6.000 | III |
| M85049/4A15A1 | MS17342N15A1 | 10-522958-244 | 24 | 1.180 | 1.055 | 1.780 | 1.875 | 1.625-18UNEF | 1.281 | 3.184 | 1.812 | 4.959 | 2.469 | 1.372 | 1.7500 | 6.000 | III |
| M85049/3A18A1 | MS17340N18A1 | 10-522958-245 | 24 | 1.109 | .984 | 1.546 | 1.625 | 1.625-18UNEF | 1.281 | 3.121 | 1.812 | 4.896 | 2.125 | 1.371 | 1.7500 | 6.000 | I |
| M85049/3A16A1 | MS17340N16A1 | 10-522958-246 | 24 | 1.055 | .930 | 1.546 | 1.625 | 1.625-18UNEF | 1.281 | 3.121 | 1.812 | 4.896 | 2.125 | 1.371 | 1.7500 | 6.000 | I |
| M85049/3A17A1 | MS17340N17A1 | 10-522958-247 | 24 | 1.000 | .675 | 1.546 | 1.625 | 1.625-18UNEF | 1.281 | 3.121 | 1.812 | 4.896 | 2.125 | 1.371 | 1.7500 | 6.000 | I |
| M85049/5A16A1 | MS17341N16A1 | 10-522958-248 | 24 | .970 | .857 | 1.312 | 1.625 | 1.625-18UNEF | 1.094 | 3.059 | 1.812 | 4.647 | 1.812 | 1.371 | 1.7500 | 6.000 | II |
| M85049/5A13A1 | MS17341N13A1 | 10-522958-249 | 24 | .900 | .787 | 1.312 | 1.625 | 1.625-18UNEF | 1.094 | 3.059 | 1.812 | 4.647 | 1.812 | 1.371 | 1.7500 | 6.000 | II |
| M85049/5A19A1 | MS17340N19A1 | 10-522958-250 | 24 | .880 | .755 | 1.546 | 1.625 | 1.625-18UNEF | 1.281 | 3.121 | 1.812 | 4.896 | 2.125 | 1.371 | 1.7500 | 6.000 | I |
| M85049/5A17A1 | MS17341N17A1 | 10-522958-251 | 24 | .828 | .715 | 1.188 | 1.625 | 1.625-18UNEF | 1.094 | 2.954 | 1.812 | 4.542 | 1.688 | 1.301 | 1.7500 | 6.000 | II |
| M85049/5A18A1 | MS17341N18A1 | 10-522958-252 | 24 | .805 | .692 | 1.312 | 1.625 | 1.625-18UNEF | 1.094 | 3.059 | 1.812 | 4.647 | 1.812 | 1.371 | 1.7500 | 6.000 | II |
| M85049/5A15A1 | MS17341N15A1 | 10-522958-253 | 24 | .750 | .637 | 1.312 | 1.625 | 1.625-18UNEF | 1.094 | 3.059 | 1.812 | 4.647 | 1.812 | 1.371 | 1.7500 | 6.000 | II |
| M85049/5A14A1 | MS17341N14A1 | 10-522958-254 | 24 | .630 | .517 | 1.312 | 1.625 | 1.625-18UNEF | 1.094 | 3.059 | 1.812 | 4.647 | 1.812 | 1.371 | 1.7500 | 6.000 | II |
| M85049/4A20A1 | MS17342N20A1 | 10-522958-281 | 28 | 1.531 | 1.406 | 2.000 | 2.062 | 1.875-16UN | 1.281 | 3.246 | 2.062 | 5.021 | 2.625 | 1.371 | 2.000 | 6.000 | III |
| M85049/4A19A1 | MS17342N19A1 | 10-522958-282 | 28 | 1.445 | 1.320 | 2.000 | 2.062 | 1.875-16UN | 1.281 | 3.246 | 2.062 | 5.021 | 2.625 | 1.371 | 2.000 | 6.000 | III |
| M85049/4A21A1 | MS17342N21A1 | 10-522958-283 | 28 | 1.375 | 1.250 | 2.000 | 2.062 | 1.875-16UN | 1.281 | 3.246 | 2.062 | 5.021 | 2.625 | 1.371 | 2.000 | 6.000 | III |
| M85049/4A22A1 | MS17340N22A1 | 10-522958-284 | 28 | 1.310 | 1.185 | 1.780 | 1.875 | 1.875-16UN | 1.281 | 3.184 | 2.062 | 4.959 | 2.469 | 1.372 | 2.000 | 6.000 | I |
| M85049/3A21A1 | MS17340N21A1 | 10-522958-285 | 28 | 1.230 | 1.105 | 1.780 | 1.875 | 1.875-16UN | 1.281 | 3.184 | 2.062 | 4.959 | 2.469 | 1.372 | 2.000 | 6.000 | I |
| M85049/3A20A1 | MS17340N20A1 | 10-522958-286 | 28 | 1.180 | 1.055 | 1.780 | 1.875 | 1.875-16UN | 1.281 | 3.184 | 2.062 | 4.959 | 2.469 | 1.372 | 2.000 | 6.000 | I |
| M85049/5A20A1 | MS17341N20A1 | 10-522958-287 | 28 | 1.109 | .984 | 1.546 | 1.875 | 1.875-16UN | 1.281 | 3.121 | 2.062 | 4.896 | 2.125 | 1.371 | 2.000 | 6.000 | II |
| M85049/5A24A1 | MS17341N24A1 | 10-522958-288 | 28 | 1.100 | .875 | 1.546 | 1.875 | 1.875-16UN | 1.281 | 3.121 | 2.062 | 4.896 | 2.125 | 1.371 | 2.000 | 6.000 | II |
| M85049/5A23A1 | MS17341N23A1 | 10-522958-289 | 28 | .970 | .857 | 1.312 | 1.875 | 1.875-16UN | 1.094 | 3.059 | 2.062 | 4.647 | 1.812 | 1.371 | 2.000 | 6.000 | II |
| M85049/5A19A1 | MS17341N19A1 | 10-522958-290 | 28 | .880 | .755 | 1.546 | 1.875 | 1.875-16UN | 1.281 | 3.121 | 2.062 | 4.896 | 2.125 | 1.371 | 2.000 | 6.000 | II |
| M85049/5A21A1 | MS17341N21A1 | 10-522958-291 | 28 | .750 | .637 | 1.312 | 1.875 | 1.875-16UN | 1.094 | 3.059 | 2.062 | 4.647 | 1.812 | 1.371 | 2.000 | 6.000 | II |
| M85049/5A26A1 | MS17341N26A1 | 10-522958-292 | 28 | .680 | .567 | 1.312 | 1.875 | 1.875-16UN | 1.094 | 3.059 | 2.062 | 4.647 | 1.812 | 1.371 | 2.000 | 6.000 | II |
| M85049/5A25A1 | MS17341N25A1 | 10-522958-293 | 28 | .530 | .436 | 1.000 | 1.812 | 1.875-16UN | 1.062 | 2.875 | 2.062 | 4.431 | 1.375 | 1.375 | 2.000 | 6.000 | II |
| M85049/5A22A1 | MS17341N22A1 | 10-522958-294 | 28 | .375 | .281 | .875 | 1.875 | 1.875-16UN | .969 | 2.766 | 2.062 | 4.229 | 1.125 | 1.422 | 2.000 | 6.000 | II |
| M85049/4A23A1 | MS17342N23A1 | 10-522958-321 | 32 | 1.828 | 1.700 | 2.438 | 2.312 | 2.0625-16UN | 1.391 | 3.500 | 2.312 | 5.385 | 3.171 | 1.375 | 2.2500 | 6.000 | III |
| M85049/4A25A1 | MS17342N25A1 | 10-522958-322 | 32 | 1.730 | 1.605 | 2.438 | 2.312 | 2.0625-16UN | 1.391 | 3.500 | 2.312 | 5.385 | 3.171 | 1.375 | 2.2500 | 6.000 | III |
| M85049/4A22A1 | MS17342N22A1 | 10-522958-323 | 32 | 1.656 | 1.531 | 2.250 | 2.312 | 2.0625-16UN | 1.281 | 3.308 | 2.312 | 5.083 | 2.953 | 1.370 | 2.2500 | 6.000 | III |
| M85049/4A24A1 | MS17342N24A1 | 10-522958-324 | 32 | 1.562 | 1.437 | 2.250 | 2.312 | 2.0625-16UN | 1.281 | 3.308 | 2.312 | 5.083 | 2.953 | 1.370 | 2.2500 | 6.000 | III |
| M85049/3A24A1 | MS17340N24A1 | 10-522958-325 | 32 | 1.531 | 1.406 | 2.000 | 2.062 | 2.0625-16UN | 1.281 | 3.246 | 2.312 | 5.021 | 2.625 | 1.371 | 2.2500 | 6.000 | I |
| M85049/3A23A1 | MS17340N23A1 | 10-522958-326 | 32 | 1.445 | 1.320 | 2.000 | 2.062 | 2.0625-16UN | 1.281 | 3.246 | 2.312 | 5.021 | 2.625 | 1.371 | 2.2500 | 6.000 | I |
| M85049/3A25A1 | MS17340N25A1 | 10-522958-327 | 32 | 1.375 | 1.250 | 2.000 | 2.062 | 2.0625-16UN | 1.281 | 3.246 | 2.312 | 5.021 | 2.625 | 1.371 | 2.2500 | 6.000 | I |
| M85049/5A28A1 | MS17341N28A1 | 10-522958-328 | 32 | 1.230 | 1.150 | 1.780 | 2.062 | 2.0625-16UN | 1.281 | 3.184 | 2.312 | 4.959 | 2.469 | 1.372 | 2.2500 | 6.000 | II |
| M85049/5A35A1 | MS17341N35A1 | 10-522958-329 | 32 | 1.130 | 1.005 | 1.780 | 2.062 | 2.0625-16UN | 1.281 | 3.184 | 2.312 | 4.959 | 2.469 | 1.372 | 2.2500 | 6.000 | II |
| M85049/5A31A1 | MS17341N31A1 | 10-522958-330 | 32 | 1.109 | .984 | 1.546 | 2.062 | 2.0625-16UN | 1.281 | 3.121 | 2.312 | 4.896 | 2.125 | 1.371 | 2.2500 | 6.000 | II |
| M85049/5A27A1 | MS17341N27A1 | 10-522958-331 | 32 | 1.055 | .930 | 1.546 | 2.062 | 2.0625-16UN | 1.281 | 3.121 | 2.312 | 4.896 | 2.125 | 1.371 | 2.2500 | 6.000 | II |
| M85049/5A32A1 | MS17341N32A1 | 10-522958-332 | 32 | .970 | .857 | 1.312 | 2.062 | 2.0625-16UN | 1.094 | 3.059 | 2.312 | 4.647 | 1.812 | 1.371 | 2.2500 | 6.000 | II |
| M85049/5A30A1 | MS17341N30A1 | 10-522958-333 | 32 | .880 | .755 | 1.546 | 2.062 | 2.0625-16UN | 1.281 | 3.121 | 2.312 | 4.896 | 2.125 | 1.371 | 2.2500 | 6.000 | II |
| M85049/5A29A1 | MS17341N29A1 | 10-522958-334 | 32 | .750 | .637 | 1.312 | 2.062 | 2.0625-16UN | 1.094 | 3.059 | 2.312 | 4.647 | 1.812 | 1.371 | 2.2500 | 6.000 | II |

* Ordering procedure: Locate shell size needed (Column 4); select cable diameter range to be accommodated within the shell size (column 5); order by either MS part number (column 1) or Proprietary part number (column 3).

MS numbers shown are non-conductive finish. To order conductive finish, substitute "W" for "A" in the part number listed.

10- numbers shown are non-conductive finish. To order conductive finish, substitute prefix 88-.

MIL-C-22992, QWLD Accessories

M85049 or 10-522958

cable sealing adapters (plug)

All dimensions for reference only.

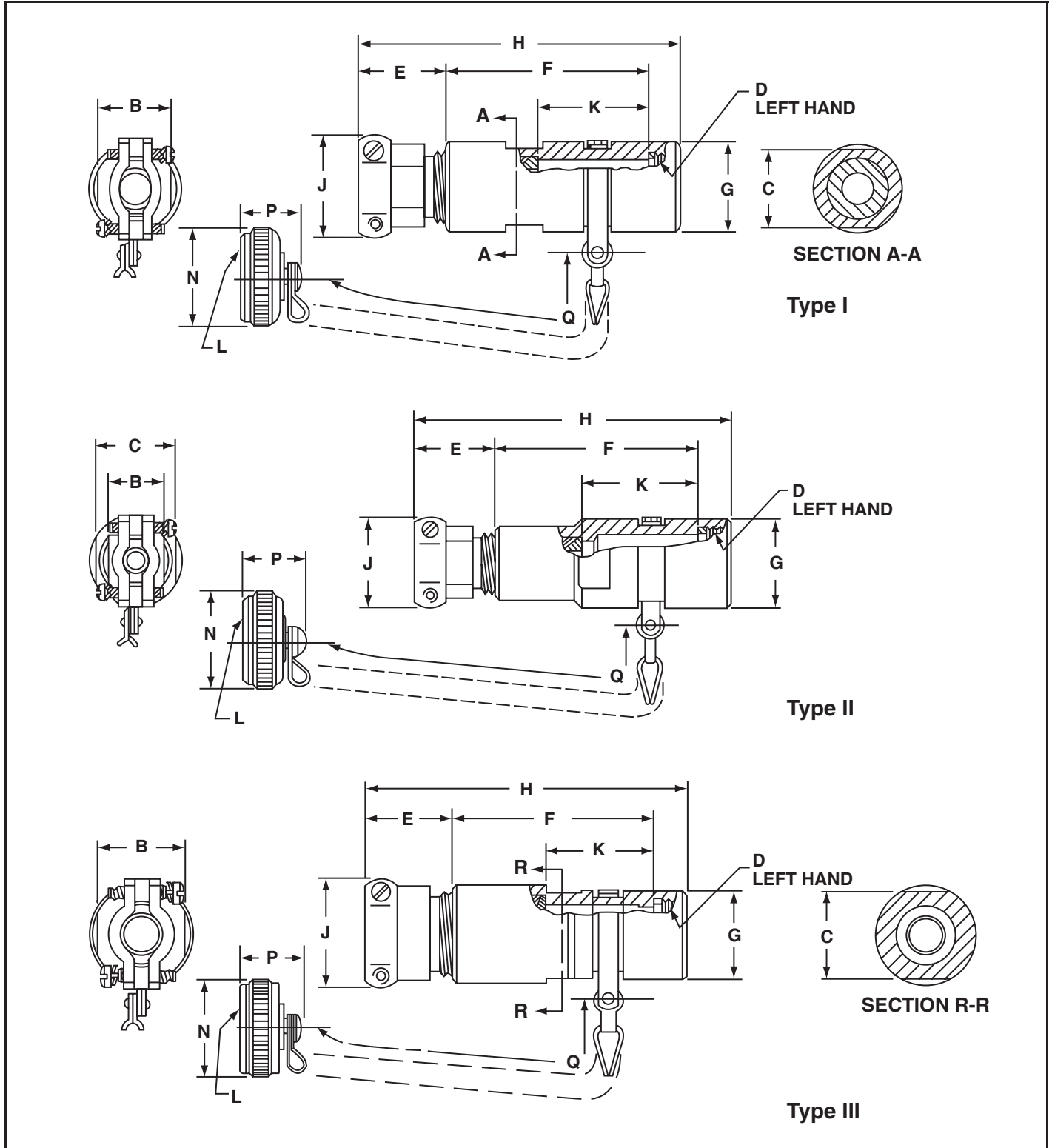
| MS Part Number* | Superseded MS Part Number | Proprietary Part Number* | Used With Shell Size | Cable Range | | B +.000 -.010 | C +.000 -.010 | D Thread Class 2B-LH | E Free Length Max | F +.010 -.020 | G Dia +.010 -.020 | H Max | J ±.031 | K +.015 -.025 | L Thread Class 2A (Plated) 0.1P-0.2L Double Stub | Q Approx. | Type |
|-----------------|---------------------------|--------------------------|----------------------|-------------|---------|---------------------|---------------------|----------------------------|-------------------------|---------------------|----------------------------|----------|------------|---------------------|--|--------------|------|
| | | | | Max Dia | Min Dia | | | | | | | | | | | | |
| M85049/5A34A1 | MS17341N34A1 | 10-522958-335 | 32 | .530 | .436 | 1.000 | 2.000 | 2.0625-16UN | 1.062 | 2.875 | 2.312 | 4.431 | 1.375 | 1.375 | 2.2500 | 6.000 | II |
| M85049/5A33A1 | MS17341N33A1 | 10-522958-336 | 32 | .375 | .281 | .875 | 2.062 | 2.0625-16UN | .969 | 2.813 | 2.312 | 4.276 | 1.125 | 1.469 | 2.2500 | 6.000 | II |
| M85049/4A30A1 | MS17342N30A1 | 10-522958-361 | 36 | 2.062 | 1.917 | 2.750 | 2.500 | 2.3125-16UN | 1.391 | 3.500 | 2.562 | 5.385 | 3.375 | 1.375 | 2.5000 | 6.000 | III |
| M85049/4A29A1 | MS17342N29A1 | 10-522958-362 | 36 | 1.984 | 1.859 | 2.438 | 2.500 | 2.3125-16UN | 1.391 | 3.469 | 2.562 | 5.354 | 3.171 | 1.344 | 2.5000 | 6.000 | III |
| M85049/4A26A1 | MS17342N26A1 | 10-522958-363 | 36 | 1.900 | 1.775 | 2.438 | 2.500 | 2.3125-16UN | 1.391 | 3.469 | 2.562 | 5.354 | 3.171 | 1.344 | 2.5000 | 6.000 | III |
| M85049/4A28A1 | MS17342N28A1 | 10-522958-364 | 36 | 1.825 | 1.799 | 2.438 | 2.500 | 2.3125-16UN | 1.391 | 3.469 | 2.562 | 5.354 | 3.171 | 1.344 | 2.5000 | 6.000 | III |
| M85049/4A27A1 | MS17342N27A1 | 10-522958-365 | 36 | 1.730 | 1.605 | 2.438 | 2.500 | 2.3125-16UN | 1.391 | 3.469 | 2.562 | 5.354 | 3.171 | 1.344 | 2.5000 | 6.000 | III |
| M85049/3A26A1 | MS17340N26A1 | 10-522958-366 | 36 | 1.656 | 1.531 | 2.250 | 2.312 | 2.3125-16UN | 1.281 | 3.308 | 2.562 | 5.083 | 2.953 | 1.370 | 2.5000 | 6.000 | I |
| M85049/3A27A1 | MS17340N27A1 | 10-522958-367 | 36 | 1.562 | 1.437 | 2.250 | 2.312 | 2.3125-16UN | 1.281 | 3.308 | 2.562 | 5.083 | 2.953 | 1.370 | 2.5000 | 6.000 | I |
| M85049/5A40A1 | MS17341N40A1 | 10-522958-368 | 36 | 1.445 | 1.320 | 2.000 | 2.312 | 2.3125-16UN | 1.281 | 3.246 | 2.562 | 5.021 | 2.625 | 1.371 | 2.5000 | 6.000 | II |
| M85049/5A38A1 | MS17341N38A1 | 10-522958-369 | 36 | 1.375 | 1.250 | 2.000 | 2.312 | 2.3125-16UN | 1.281 | 3.246 | 2.562 | 5.021 | 2.625 | 1.371 | 2.5000 | 6.000 | II |
| M85049/5A36A1 | MS17341N36A1 | 10-522958-370 | 36 | 1.310 | 1.185 | 1.780 | 2.312 | 2.3125-16UN | 1.281 | 3.184 | 2.562 | 4.959 | 2.469 | 1.372 | 2.5000 | 6.000 | II |
| M85049/5A42A1 | MS17341N42A1 | 10-522958-371 | 36 | 1.230 | 1.105 | 1.780 | 2.312 | 2.3125-16UN | 1.281 | 3.184 | 2.562 | 4.959 | 2.469 | 1.372 | 2.5000 | 6.000 | II |
| M85049/5A39A1 | MS17341N39A1 | 10-522958-372 | 36 | 1.180 | 1.055 | 1.780 | 2.312 | 2.3125-16UN | 1.281 | 3.184 | 2.562 | 4.959 | 2.469 | 1.372 | 2.5000 | 6.000 | II |
| M85049/5A37A1 | MS17341N37A1 | 10-522958-373 | 36 | 1.109 | .984 | 1.546 | 2.312 | 2.3125-16UN | 1.281 | 3.121 | 2.562 | 4.896 | 2.125 | 1.371 | 2.5000 | 6.000 | II |
| M85049/5A41A1 | MS17341N41A1 | 10-522958-374 | 36 | .970 | .857 | 1.312 | 2.250 | 2.3125-16UN | 1.094 | 3.063 | 2.562 | 4.651 | 1.812 | 1.375 | 2.5000 | 6.000 | II |
| M85049/4A31A1 | MS17342N31A1 | 10-522958-401 | 40 | 2.375 | 2.230 | 3.000 | 2.812 | 2.625-16UN | 1.391 | 3.609 | 2.875 | 5.682 | 3.625 | 1.421 | 2.7500 | 6.000 | III |
| M85049/4A32A1 | MS17342N32A1 | 10-522958-402 | 40 | 2.250 | 2.105 | 2.875 | 2.625 | 2.625-16UN | 1.391 | 3.609 | 2.875 | 5.682 | 3.500 | 1.421 | 2.7500 | 6.000 | III |
| M85049/4A33A1 | MS17342N33A1 | 10-522958-403 | 40 | 2.145 | 2.000 | 2.750 | 2.625 | 2.625-16UN | 1.391 | 3.547 | 2.875 | 5.620 | 3.375 | 1.422 | 2.7500 | 6.000 | III |
| M85049/4A34A1 | MS17342N34A1 | 10-522958-404 | 40 | 2.062 | 1.917 | 2.750 | 2.625 | 2.625-16UN | 1.391 | 3.547 | 2.875 | 5.620 | 3.375 | 1.422 | 2.7500 | 6.000 | III |
| M85049/5A43A1 | MS17341N43A1 | 10-522958-405 | 40 | 1.940 | 1.815 | 2.438 | 2.750 | 2.625-16UN | 1.391 | 4.281 | 2.875 | 6.354 | 3.171 | 2.156 | 2.7500 | 6.000 | II |
| M85049/5A44A1 | MS17341N44A1 | 10-522958-406 | 40 | 1.825 | 1.700 | 2.438 | 2.750 | 2.625-16UN | 1.391 | 4.281 | 2.875 | 6.354 | 3.171 | 2.156 | 2.7500 | 6.000 | II |
| M85049/5A45A1 | MS17341N45A1 | 10-522958-407 | 40 | 1.730 | 1.605 | 2.438 | 2.750 | 2.625-16UN | 1.391 | 4.281 | 2.875 | 6.354 | 3.171 | 2.156 | 2.7500 | 6.000 | II |
| M85049/5A46A1 | MS17341N46A1 | 10-522958-408 | 40 | 1.656 | 1.531 | 2.250 | 2.750 | 2.625-16UN | 1.281 | 4.094 | 2.875 | 6.037 | 2.953 | 2.156 | 2.7500 | 6.000 | II |

* Ordering procedure: Locate shell size needed (Column 4); select cable diameter range to be accommodated within the shell size (column 5); order by either MS part number (column 1) or Proprietary part number (column 3).

MS numbers shown are non-conductive finish. To order conductive finish, substitute "W" for "A" in the part number listed.

10- numbers shown are non-conductive finish. To order conductive finish, substitute prefix 88-.

MIL-C-22992, QWLD Accessories M85049 or 10-524959 cable sealing adapters (receptacle)



MIL-C-22992, QWLD Accessories M85049 or 10-524959 cable sealing adapters (receptacle)

All dimensions for reference only.

| MS Part Number* | Superseded MS Part Number | Proprietary Part Number* | Used With Shell Size | Cable Range | | B +.000 -.010 | C +.000 -.010 | D Thread Class 2B-LH | E Free Length Max | F +.010 -.020 | G Dia +.010 -.020 | H Max | J ±.031 | K +.015 -.025 | L Thread Class 2A 0.1P-0.2L Double Stub | N Dia Maz | P Max | Q Approx. | Type |
|-----------------|---------------------------|--------------------------|----------------------|-------------|---------|---------------------|---------------------|----------------------------|----------------------------|---------------------|----------------------------|----------|------------|---------------------|---|-----------------|----------|--------------|------|
| | | | | Max Dia | Min Dia | | | | | | | | | | | | | | |
| M85049/4A1B1 | MS17342N1B1 | 10-524959-131 | 12 | .530 | .436 | 1.000 | .812 | .750-20UNEF | 1.062 | 2.719 | .938 | 4.275 | 1.375 | 1.219 | .8750 | 2.719 | .765 | 5.000 | III |
| M85049/4A2B1 | MS17342N2B1 | 10-524959-132 | 12 | .500 | .406 | .875 | .938 | .750-20UNEF | .969 | 2.215 | .938 | 3.678 | 1.125 | .871 | .8750 | 2.719 | .765 | 5.000 | III |
| M85049/4A3B1 | MS17342N3B1 | 10-524959-133 | 12 | .405 | .311 | 1.000 | .812 | .750-20UNEF | 1.062 | 2.719 | .938 | 4.275 | 1.375 | 1.219 | .8750 | 1.094 | .765 | 5.000 | III |
| M85049/3A1B1 | MS17340N1B1 | 10-524959-134 | 12 | .375 | .281 | .750 | .812 | .750-20UNEF | .969 | 1.902 | .938 | 3.365 | 1.062 | .621 | .8750 | 1.094 | .765 | 5.000 | I |
| M85049/3A2B1 | MS17340N2B1 | 10-524959-135 | 12 | .281 | .188 | .750 | .812 | .750-20UNEF | .969 | 1.902 | .938 | 3.365 | 1.062 | .621 | .8750 | 1.094 | .765 | 5.000 | I |
| M85049/5A1B1 | MS17341N1B1 | 10-524959-136 | 12 | .250 | .156 | .625 | .812 | .750-20UNEF | .906 | 1.782 | .938 | 3.182 | .938 | .563 | .8750 | 1.094 | .765 | 5.000 | II |
| M85049/4A5B1 | MS17342N5B1 | 10-524959-151 | 14 | .625 | .531 | 1.062 | 1.125 | .875-20UNEF | 1.062 | 2.933 | 1.062 | 4.489 | 1.562 | 1.371 | 1.0000 | 1.094 | .765 | 5.000 | III |
| M85049/4A4B1 | MS17342N4B1 | 10-524959-152 | 14 | .605 | .511 | 1.000 | 1.062 | .875-20UNEF | 1.062 | 2.621 | 1.062 | 4.177 | 1.375 | 1.121 | 1.0000 | 1.094 | .765 | 5.000 | III |
| M85049/4A6B1 | MS17342N6B1 | 10-524959-153 | 14 | .530 | .436 | 1.000 | 1.062 | .875-20UNEF | 1.062 | 2.621 | 1.062 | 4.177 | 1.375 | 1.121 | 1.0000 | 1.094 | .765 | 5.000 | III |
| M85049/3A3B1 | MS17340N3B1 | 10-524959-154 | 14 | .438 | .344 | .875 | .938 | .875-20UNEF | .969 | 2.215 | 1.062 | 3.678 | 1.125 | .871 | 1.0000 | 1.219 | .765 | 5.000 | I |
| M85049/4A7B1 | MS17342N7B1 | 10-524959-155 | 14 | .405 | .311 | 1.000 | 1.062 | .875-20UNEF | 1.062 | 2.621 | 1.188 | 4.177 | 1.375 | 1.121 | 1.0000 | 1.344 | .765 | 5.000 | III |
| M85049/3A4B1 | MS17340N4B1 | 10-524959-171 | 16 | .605 | .511 | 1.000 | 1.062 | 1.000-20UNEF | 1.062 | 2.621 | 1.188 | 4.177 | 1.375 | 1.121 | 1.1250 | 1.344 | .980 | 5.000 | I |
| M85049/3A5B1 | MS17340N5B1 | 10-524959-172 | 16 | .530 | .436 | 1.000 | 1.062 | 1.000-20UNEF | 1.062 | 2.621 | 1.188 | 4.177 | 1.375 | 1.121 | 1.1250 | 1.344 | .980 | 5.000 | I |
| M85049/3A6B1 | MS17340N6B1 | 10-524959-173 | 16 | .405 | .311 | 1.000 | 1.062 | 1.000-20UNEF | 1.062 | 2.621 | 1.312 | 4.177 | 1.375 | 1.121 | 1.1250 | 1.344 | .980 | 5.000 | I |
| M85049/4A8B1 | MS17342N8B1 | 10-524959-181 | 18 | .828 | .715 | 1.188 | 1.250 | 1.125-18UNEF | 1.094 | 2.996 | 1.312 | 4.584 | 1.688 | 1.343 | 1.2500 | 1.469 | .980 | 5.000 | III |
| M85049/3A8B1 | MS17340N8B1 | 10-524959-182 | 18 | .699 | .605 | 1.062 | 1.125 | 1.125-18UNEF | 1.062 | 2.933 | 1.312 | 4.489 | 1.562 | 1.371 | 1.2500 | 1.469 | .980 | 5.000 | I |
| M85049/3A7B1 | MS17340N7B1 | 10-524959-183 | 18 | .625 | .531 | 1.062 | 1.125 | 1.125-18UNEF | 1.062 | 2.933 | 1.312 | 4.489 | 1.562 | 1.371 | 1.2500 | 1.469 | .980 | 5.000 | I |
| M85049/5A5B1 | MS17341N5B1 | 10-524959-184 | 18 | .605 | .511 | 1.000 | 1.125 | 1.125-18UNEF | 1.062 | 2.621 | 1.312 | 4.177 | 1.375 | 1.121 | 1.2500 | 2.719 | .980 | 5.000 | II |
| M85049/5A6B1 | MS17341N6B1 | 10-524959-185 | 18 | .530 | .436 | 1.000 | 1.125 | 1.125-18UNEF | 1.062 | 2.621 | 1.312 | 4.177 | 1.375 | 1.121 | 1.2500 | 2.719 | .980 | 5.000 | II |
| M85049/3A9B1 | MS17340N9B1 | 10-524959-186 | 18 | .500 | .406 | 1.062 | 1.125 | 1.125-18UNEF | 1.062 | 2.933 | 1.312 | 4.489 | 1.562 | 1.371 | 1.2500 | 1.469 | .980 | 5.000 | I |
| M85049/3A10B1 | MS17340N10B1 | 10-524959-187 | 18 | .455 | .361 | 1.062 | 1.125 | 1.125-18UNEF | 1.062 | 2.933 | 1.312 | 4.489 | 1.562 | 1.371 | 1.2500 | 1.469 | .980 | 5.000 | I |
| M85049/5A2B1 | MS17341N2B1 | 10-524959-188 | 18 | .375 | .281 | .750 | 1.125 | 1.125-18UNEF | .969 | 2.438 | 1.312 | 4.901 | 1.062 | 1.157 | 1.2500 | 2.719 | .980 | 5.000 | II |
| M85049/5A3B1 | MS17341N3B1 | 10-524959-189 | 18 | .375 | .281 | .875 | 1.125 | 1.125-18UNEF | .969 | 2.469 | 1.312 | 4.932 | 1.125 | 1.125 | 1.2500 | 2.719 | .980 | 5.000 | II |
| M85049/5A4B1 | MS17341N4B1 | 10-524959-190 | 18 | .281 | .188 | .750 | 1.125 | 1.125-18UNEF | .969 | 2.438 | 1.312 | 4.901 | 1.062 | 1.157 | 1.2500 | 2.719 | .980 | 5.000 | II |
| M85049/4A12B1 | MS17342N12B1 | 10-524959-201 | 20 | 1.055 | .930 | 1.546 | 1.375 | 1.250-18UNEF | 1.281 | 3.121 | 1.438 | 4.896 | 2.125 | 1.371 | 1.3750 | 2.719 | .980 | 5.000 | III |
| M85049/4A10B1 | MS17342N10B1 | 10-524959-202 | 20 | 1.000 | .875 | 1.546 | 1.375 | 1.250-18UNEF | 1.281 | 3.121 | 1.438 | 4.896 | 2.125 | 1.371 | 1.3750 | 2.719 | .980 | 6.000 | III |
| M85049/4A11B1 | MS17342N11B1 | 10-524959-203 | 20 | .900 | .787 | 1.312 | 1.375 | 1.250-18UNEF | 1.094 | 3.059 | 1.438 | 4.647 | 1.812 | 1.371 | 1.3750 | 2.719 | .980 | 5.000 | III |
| M85049/3A11B1 | MS17340N11B1 | 10-524959-204 | 20 | .828 | .715 | 1.188 | 1.250 | 1.250-18UNEF | 1.125 | 2.996 | 1.438 | 4.615 | 1.688 | 1.371 | 1.3750 | 1.562 | .980 | 5.000 | I |
| M85049/4A9B1 | MS17342N9B1 | 10-524959-205 | 20 | .750 | .637 | 1.312 | 1.375 | 1.250-18UNEF | 1.094 | 3.059 | 1.438 | 4.647 | 1.812 | 1.371 | 1.3750 | 2.719 | .980 | 5.000 | III |
| M85049/5A7B1 | MS17341N7B1 | 10-524959-206 | 20 | .699 | .605 | 1.062 | 1.250 | 1.250-18UNEF | 1.062 | 2.933 | 1.438 | 4.489 | 1.562 | 1.250 | 1.3750 | 2.719 | .980 | 5.000 | II |
| M85049/5A9B1 | MS17341N9B1 | 10-524959-207 | 20 | .605 | .511 | 1.000 | 1.250 | 1.250-18UNEF | 1.062 | 2.750 | 1.438 | 4.306 | 1.375 | 1.371 | 1.3750 | 1.562 | .980 | 5.000 | II |
| M85049/3A12B1 | MS17340N12B1 | 10-524959-208 | 20 | .562 | .449 | 1.188 | 1.250 | 1.250-18UNEF | 1.125 | 2.996 | 1.438 | 4.615 | 1.688 | 1.371 | 1.3750 | 1.562 | .980 | 5.000 | I |
| M85049/5A8B1 | MS17341N8B1 | 10-524959-209 | 20 | .455 | .361 | 1.062 | 1.250 | 1.250-18UNEF | 1.062 | 2.933 | 1.438 | 4.489 | 1.562 | 1.371 | 1.3750 | 1.562 | .980 | 5.000 | II |
| M85049/4A14B1 | MS17342N14B1 | 10-524959-221 | 22 | 1.109 | .984 | 1.546 | 1.625 | 1.375-18UNEF | 1.281 | 3.121 | 1.562 | 4.896 | 2.125 | 1.371 | 1.5000 | 1.562 | .980 | 6.000 | III |
| M85049/4A13B1 | MS17342N13B1 | 10-524959-222 | 22 | 1.000 | .875 | 1.546 | 1.625 | 1.375-18UNEF | 1.281 | 3.121 | 1.562 | 4.896 | 2.125 | 1.371 | 1.5000 | 1.562 | .980 | 6.000 | III |
| M85049/3A14B1 | MS17340N14B1 | 10-524959-223 | 22 | .900 | .787 | 1.312 | 1.375 | 1.375-18UNEF | 1.094 | 3.059 | 1.562 | 4.647 | 1.812 | 1.371 | 1.5000 | 1.688 | .980 | 6.000 | I |
| M85049/5A12B1 | MS17341N12B1 | 10-524959-224 | 22 | .828 | .715 | 1.188 | 1.406 | 1.375-18UNEF | 1.094 | 2.996 | 1.562 | 4.306 | 1.375 | 1.250 | 1.5000 | 1.688 | .980 | 6.000 | II |
| M85049/3A15B1 | MS17340N15B1 | 10-524959-225 | 22 | .805 | .692 | 1.312 | 1.375 | 1.375-18UNEF | 1.094 | 3.059 | 1.562 | 4.647 | 1.812 | 1.371 | 1.5000 | 1.688 | .980 | 6.000 | I |
| M85049/3A13B1 | MS17340N13B1 | 10-524959-226 | 22 | .750 | .637 | 1.312 | 1.375 | 1.375-18UNEF | 1.094 | 3.059 | 1.562 | 4.647 | 1.812 | 1.371 | 1.5000 | 1.688 | .980 | 6.000 | I |
| M85049/5A10B1 | MS17341N10B1 | 10-524959-227 | 22 | .562 | .449 | 1.188 | 1.406 | 1.375-18UNEF | 1.094 | 2.996 | 1.562 | 4.584 | 1.688 | 1.343 | 1.5000 | 2.719 | .980 | 6.000 | II |
| M85049/5A11B1 | MS17341N11B1 | 10-524959-228 | 22 | .405 | .311 | 1.000 | 1.375 | 1.375-18UNEF | 1.062 | 2.750 | 1.562 | 4.306 | 1.375 | 1.250 | 1.5000 | 2.719 | .980 | 6.000 | II |

* Ordering procedure: Locate shell size needed (Column 4); select cable diameter range to be accommodated within the shell size (column 5); order by either MS part number (column 1) or Proprietary part number (column 3).

MS numbers shown are non-conductive finish. To order conductive finish, substitute "W" for "A" in the part number listed.

10- numbers shown are non-conductive finish. To order conductive finish, substitute prefix 88-.

MIL-C-22992, QWLD Accessories M85049 or 10-524959 cable sealing adapters (receptacle)

All dimensions for reference only.

| MS Part Number* | Superseded MS Part Number | Proprietary Part Number* | Used With Shell Size | Cable Range | | B +0.00 -0.10 | C +0.00 -0.10 | D Thread Class 2B-LH | E Free Length Max | F +0.10 -0.20 | G Dia +0.10 -0.20 | H Max | J ±.031 | K +0.015 -0.025 | L Thread Class 2A 0.1P-0.2L Double Stub | N Dia Max | P Max | Q Approx. | Type |
|-----------------|---------------------------|--------------------------|----------------------|-------------|---------|---------------------|---------------------|----------------------------|-------------------------|---------------------|-------------------------|----------|------------|-----------------------|---|-----------------|----------|--------------|------|
| | | | | Max Dia | Min Dia | | | | | | | | | | | | | | |
| MS85049/4A18B1 | MS17342N18B1 | 10-524959-241 | 24 | 1.375 | 1.250 | 2.000 | 1.875 | 1.625-18UNEF | 1.281 | 3.184 | 1.812 | 4.959 | 2.625 | 1.309 | 1.7500 | 2.719 | .980 | 6.000 | III |
| MS85049/4A16B1 | MS17342N16B1 | 10-524959-242 | 24 | 1.310 | 1.185 | 1.780 | 1.875 | 1.625-18UNEF | 1.281 | 3.184 | 1.812 | 4.959 | 2.469 | 1.372 | 1.7500 | 2.719 | .980 | 6.000 | III |
| MS85049/4A17B1 | MS17342N17B1 | 10-524959-243 | 24 | 1.230 | 1.105 | 1.780 | 1.875 | 1.625-18UNEF | 1.281 | 3.184 | 1.812 | 4.959 | 2.469 | 1.372 | 1.7500 | 2.719 | .980 | 6.000 | III |
| MS85049/4A15B1 | MS17342N15B1 | 10-524959-244 | 24 | 1.180 | 1.055 | 1.780 | 1.875 | 1.625-18UNEF | 1.281 | 3.184 | 1.812 | 4.959 | 2.469 | 1.372 | 1.7500 | 2.719 | .980 | 6.000 | III |
| MS85049/3A18B1 | MS17340N18B1 | 10-524959-245 | 24 | 1.109 | .984 | 1.546 | 1.625 | 1.625-18UNEF | 1.281 | 3.121 | 1.812 | 4.896 | 2.125 | 1.371 | 1.7500 | 1.938 | .980 | 6.000 | I |
| MS85049/3A16B1 | MS17340N16B1 | 10-524959-246 | 24 | 1.055 | .930 | 1.546 | 1.625 | 1.625-18UNEF | 1.281 | 3.121 | 1.812 | 4.896 | 2.125 | 1.371 | 1.7500 | 1.938 | .980 | 6.000 | I |
| MS85049/3A17B1 | MS17340N17B1 | 10-524959-247 | 24 | 1.000 | .675 | 1.546 | 1.625 | 1.625-18UNEF | 1.281 | 3.121 | 1.812 | 4.896 | 2.125 | 1.371 | 1.7500 | 1.938 | .980 | 6.000 | I |
| MS85049/5A16B1 | MS17341N16B1 | 10-524959-248 | 24 | .970 | .857 | 1.312 | 1.625 | 1.625-18UNEF | 1.094 | 3.059 | 1.812 | 4.647 | 1.812 | 1.371 | 1.7500 | 2.719 | .980 | 6.000 | II |
| MS85049/5A13B1 | MS17341N13B1 | 10-524959-249 | 24 | .900 | .787 | 1.312 | 1.625 | 1.625-18UNEF | 1.094 | 3.059 | 1.812 | 4.647 | 1.812 | 1.371 | 1.7500 | 2.719 | .980 | 6.000 | II |
| MS85049/3A19B1 | MS17340N19B1 | 10-524959-250 | 24 | .880 | .755 | 1.546 | 1.625 | 1.625-18UNEF | 1.281 | 3.121 | 1.812 | 4.896 | 2.125 | 1.371 | 1.7500 | 1.938 | .980 | 6.000 | I |
| MS85049/5A17B1 | MS17341N17B1 | 10-524959-251 | 24 | .828 | .715 | 1.188 | 1.625 | 1.625-18UNEF | 1.094 | 2.954 | 1.812 | 4.542 | 1.688 | 1.301 | 1.7500 | 2.719 | .980 | 6.000 | II |
| MS85049/5A18B1 | MS17341N18B1 | 10-524959-252 | 24 | .805 | .692 | 1.312 | 1.625 | 1.625-18UNEF | 1.094 | 3.059 | 1.812 | 4.647 | 1.812 | 1.371 | 1.7500 | 2.719 | .980 | 6.000 | II |
| MS85049/5A15B1 | MS17341N15B1 | 10-524959-253 | 24 | .750 | .637 | 1.312 | 1.625 | 1.625-18UNEF | 1.094 | 3.059 | 1.812 | 4.647 | 1.812 | 1.371 | 1.7500 | 2.719 | .980 | 6.000 | II |
| MS85049/5A14B1 | MS17341N14B1 | 10-524959-254 | 24 | .630 | .517 | 1.312 | 1.625 | 1.625-18UNEF | 1.094 | 3.059 | 1.812 | 4.647 | 1.812 | 1.371 | 1.7500 | 2.719 | .980 | 6.000 | II |
| MS85049/4A20B1 | MS17342N20B1 | 10-524959-281 | 28 | 1.531 | 1.406 | 2.000 | 2.062 | 1.875-16UN | 1.281 | 3.246 | 2.062 | 5.021 | 2.625 | 1.371 | 2.0000 | 2.719 | .980 | 6.000 | III |
| MS85049/4A19B1 | MS17342N19B1 | 10-524959-282 | 28 | 1.445 | 1.320 | 2.000 | 2.062 | 1.875-16UN | 1.281 | 3.246 | 2.062 | 5.021 | 2.625 | 1.371 | 2.0000 | 2.719 | .980 | 6.000 | III |
| MS85049/4A21B1 | MS17342N21B1 | 10-524959-283 | 28 | 1.375 | 1.250 | 2.000 | 2.062 | 1.875-16UN | 1.281 | 3.246 | 2.062 | 5.021 | 2.625 | 1.371 | 2.0000 | 2.719 | .980 | 6.000 | III |
| MS85049/3A22B1 | MS17340N22B1 | 10-524959-284 | 28 | 1.310 | 1.185 | 1.780 | 1.875 | 1.875-16UN | 1.281 | 3.184 | 2.062 | 4.959 | 2.469 | 1.372 | 2.0000 | 2.219 | .980 | 6.000 | I |
| MS85049/3A21B1 | MS17340N21B1 | 10-524959-285 | 28 | 1.230 | 1.105 | 1.780 | 1.875 | 1.875-16UN | 1.281 | 3.184 | 2.062 | 4.959 | 2.469 | 1.372 | 2.0000 | 2.219 | .980 | 6.000 | I |
| MS85049/3A20B1 | MS17340N20B1 | 10-524959-286 | 28 | 1.180 | 1.055 | 1.780 | 1.875 | 1.875-16UN | 1.281 | 3.184 | 2.062 | 4.959 | 2.469 | 1.372 | 2.0000 | 2.219 | .980 | 6.000 | I |
| MS85049/5A20B1 | MS17341N20B1 | 10-524959-287 | 28 | 1.109 | .984 | 1.546 | 1.875 | 1.875-16UN | 1.281 | 3.121 | 2.062 | 4.896 | 2.125 | 1.371 | 2.0000 | 2.279 | .980 | 6.000 | II |
| MS85049/5A24B1 | MS17341N24B1 | 10-524959-288 | 28 | 1.000 | .875 | 1.546 | 1.875 | 1.875-16UN | 1.281 | 3.121 | 2.062 | 4.896 | 2.125 | 1.371 | 2.0000 | 2.279 | .980 | 6.000 | II |
| MS85049/5A23B1 | MS17341N23B1 | 10-524959-289 | 28 | .970 | .857 | 1.312 | 1.875 | 1.875-16UN | 1.094 | 3.059 | 2.062 | 4.647 | 1.812 | 1.371 | 2.0000 | 2.719 | .980 | 6.000 | II |
| MS85049/5A19B1 | MS17341N19B1 | 10-524959-290 | 28 | .880 | .755 | 1.546 | 1.875 | 1.875-16UN | 1.281 | 3.121 | 2.062 | 4.896 | 2.125 | 1.371 | 2.0000 | 2.719 | .980 | 6.000 | II |
| MS85049/5A19B1 | MS17341N21B1 | 10-524959-291 | 28 | .750 | .637 | 1.312 | 1.875 | 1.875-16UN | 1.094 | 3.059 | 2.062 | 4.647 | 1.812 | 1.371 | 2.0000 | 2.719 | .980 | 6.000 | II |
| MS85049/5A26B1 | MS17341N26B1 | 10-524959-292 | 28 | .680 | .567 | 1.312 | 1.875 | 1.875-16UN | 1.094 | 3.059 | 2.062 | 4.647 | 1.812 | 1.371 | 2.0000 | 2.219 | .980 | 6.000 | II |
| MS85049/5A25B1 | MS17341N25B1 | 10-524959-293 | 28 | .530 | .436 | 1.000 | 1.812 | 1.875-16UN | 1.062 | 2.875 | 2.062 | 4.431 | 1.375 | 1.375 | 2.0000 | 2.219 | .980 | 6.000 | II |
| MS85049/5A22B1 | MS17341N22B1 | 10-524959-294 | 28 | .375 | .281 | .875 | 1.875 | 1.875-16UN | .969 | 2.766 | 2.062 | 4.229 | 1.125 | 1.422 | 2.0000 | 2.219 | .980 | 6.000 | II |
| MS85049/4A23B1 | MS17342N23B1 | 10-524959-321 | 32 | 1.828 | 1.700 | 2.438 | 2.312 | 2.0625-16UN | 1.391 | 3.500 | 2.312 | 5.385 | 3.171 | 1.375 | 2.2500 | 2.469 | .980 | 6.000 | III |
| MS85049/4A25B1 | MS17342N25B1 | 10-524959-322 | 32 | 1.730 | 1.605 | 2.438 | 2.312 | 2.0625-16UN | 1.391 | 3.500 | 2.312 | 5.385 | 3.171 | 1.375 | 2.2500 | 2.469 | .980 | 6.000 | III |
| MS85049/4A22B1 | MS17342N22B1 | 10-524959-323 | 32 | 1.656 | 1.531 | 2.250 | 2.312 | 2.0625-16UN | 1.281 | 3.308 | 2.312 | 5.083 | 2.953 | 1.370 | 2.2500 | 2.469 | .980 | 6.000 | III |
| MS85049/4A24B1 | MS17342N24B1 | 10-524959-324 | 32 | 1.562 | 1.437 | 2.250 | 2.312 | 2.0625-16UN | 1.281 | 3.308 | 2.312 | 5.083 | 2.953 | 1.370 | 2.2500 | 2.469 | .980 | 6.000 | III |
| MS85049/3A24B1 | MS17340N24B1 | 10-524959-325 | 32 | 1.531 | 1.406 | 2.000 | 2.062 | 2.0625-16UN | 1.281 | 3.246 | 2.312 | 5.021 | 2.625 | 1.371 | 2.2500 | 2.469 | .980 | 6.000 | I |
| MS85049/3A23B1 | MS17340N23B1 | 10-524959-326 | 32 | 1.445 | 1.320 | 2.000 | 2.062 | 2.0625-16UN | 1.281 | 3.246 | 2.312 | 5.021 | 2.625 | 1.371 | 2.2500 | 2.469 | .980 | 6.000 | I |
| MS85049/3A25B1 | MS17340N25B1 | 10-524959-327 | 32 | 1.375 | 1.250 | 2.000 | 2.062 | 2.0625-16UN | 1.281 | 3.246 | 2.312 | 5.021 | 2.625 | 1.371 | 2.2500 | 2.469 | .980 | 6.000 | I |
| MS85049/5A28B1 | MS17341N28B1 | 10-524959-328 | 32 | 1.230 | 1.150 | 1.780 | 2.062 | 2.0625-16UN | 1.281 | 3.184 | 2.312 | 4.959 | 2.469 | 1.372 | 2.2500 | 2.469 | .980 | 6.000 | II |
| MS85049/5A35B1 | MS17341N35B1 | 10-524959-329 | 32 | 1.130 | 1.005 | 1.780 | 2.062 | 2.0625-16UN | 1.281 | 3.184 | 2.312 | 4.959 | 2.469 | 1.372 | 2.2500 | 2.469 | .980 | 6.000 | II |
| MS85049/5A31B1 | MS17341N31B1 | 10-524959-330 | 32 | 1.109 | .984 | 1.546 | 2.062 | 2.0625-16UN | 1.281 | 3.121 | 2.312 | 4.896 | 2.125 | 1.371 | 2.2500 | 2.469 | .980 | 6.000 | II |
| MS85049/5A27B1 | MS17341N27B1 | 10-524959-331 | 32 | 1.055 | .930 | 1.546 | 2.062 | 2.0625-16UN | 1.281 | 3.121 | 2.312 | 4.896 | 2.125 | 1.371 | 2.2500 | 2.469 | .980 | 6.000 | II |
| MS85049/5A32B1 | MS17341N32B1 | 10-524959-332 | 32 | .970 | .858 | 1.312 | 2.062 | 2.0625-16UN | 1.094 | 3.059 | 2.312 | 4.647 | 1.812 | 1.371 | 2.2500 | 2.469 | .980 | 6.000 | II |
| MS85049/5A30B1 | MS17341N30B1 | 10-524959-333 | 32 | .880 | .755 | 1.546 | 2.062 | 2.0625-16UN | 1.281 | 3.121 | 2.312 | 4.896 | 2.125 | 1.371 | 2.2500 | 2.469 | .980 | 6.000 | II |

* Ordering procedure: Locate shell size needed (Column 4); select cable diameter range to be accommodated within the shell size (column 5); order by either MS part number (column 1) or Proprietary part number (column 3).

MS numbers shown are non-conductive finish. To order conductive finish, substitute "W" for "A" in the part number listed.

10- numbers shown are non-conductive finish. To order conductive finish, substitute prefix 88-.

MIL-C-22992, QWLD Accessories M85049 or 10-524959 cable sealing adapters (receptacle)

All dimensions for reference only.

| MS Part Number* | Superseded MS Part Number | Proprietary Part Number* | Used With Shell Size | Cable Range | | B +.000 -.010 | C +.000 -.010 | D Thread Class 2B-LH | E Free Length Max | F +.010 -.020 | G Dia +.010 -.020 | H Max | J ±.031 | K +.015 -.025 | L Thread Class 2A 0.1P-0.2L Double Stub | N Dia Max | P Max | Q Approx. | Type |
|-----------------|---------------------------|--------------------------|----------------------|-------------|---------|---------------------|---------------------|----------------------------|----------------------------|---------------------|----------------------------|----------|------------|---------------------|---|-----------------|----------|--------------|------|
| | | | | Max Dia | Min Dia | | | | | | | | | | | | | | |
| M85049/5A29B1 | MS17341N29B1 | 10-524959-334 | 32 | .750 | .637 | 1.312 | 2.062 | 2.0625-16UN | 1.094 | 3.059 | 2.312 | 4.647 | 1.612 | 1.371 | 2.2500 | 2.469 | .980 | 6.000 | II |
| M85049/5A34B1 | MS17341N34B1 | 10-524959-335 | 32 | .530 | .436 | 1.000 | 2.000 | 2.0625-16UN | 1.062 | 2.875 | 2.312 | 4.431 | 1.375 | 1.375 | 2.2500 | 2.469 | .980 | 6.000 | II |
| M85049/5A53B1 | MS17341N33B1 | 10-524959-336 | 32 | .375 | .281 | .875 | 2.062 | 2.0625-16UN | .969 | 2.813 | 2.312 | 4.276 | 1.125 | 1.469 | 2.2500 | 2.469 | .980 | 6.000 | II |
| M85049/4A30A1 | MS17342N30B1 | 10-524959-361 | 36 | 2.062 | 1.917 | 2.750 | 2.500 | 2.3125-16UN | 1.391 | 3.500 | 2.562 | 5.385 | 3.375 | 1.375 | 2.5000 | 2.719 | .980 | 6.000 | III |
| M85049/4A29B1 | MS17342N29B1 | 10-524959-362 | 36 | 1.984 | 1.859 | 2.438 | 2.500 | 2.3125-16UN | 1.391 | 3.469 | 2.562 | 5.354 | 3.171 | 1.344 | 2.5000 | 2.719 | .980 | 6.000 | III |
| M85049/4A26B1 | MS17342N26B1 | 10-524959-363 | 36 | 1.900 | 1.775 | 2.438 | 2.500 | 2.3125-16UN | 1.391 | 3.469 | 2.562 | 5.354 | 3.171 | 1.344 | 2.5000 | 2.719 | .980 | 6.000 | III |
| M85049/4A28B1 | MS17342N28B1 | 10-524959-364 | 36 | 1.825 | 1.700 | 2.438 | 2.500 | 2.3125-16UN | 1.391 | 3.469 | 2.562 | 5.354 | 3.171 | 1.344 | 2.5000 | 2.719 | .980 | 6.000 | III |
| M85049/4A27B1 | MS17342N27B1 | 10-524959-365 | 36 | 1.730 | 1.605 | 2.438 | 2.500 | 2.3125-16UN | 1.391 | 3.469 | 2.562 | 5.354 | 3.171 | 1.344 | 2.5000 | 2.719 | .980 | 6.000 | III |
| M85049/3A26B1 | MS17340N26B1 | 10-524959-366 | 36 | 1.656 | 1.531 | 2.250 | 2.312 | 2.3125-16UN | 1.281 | 3.308 | 2.562 | 5.083 | 2.953 | 1.370 | 2.5000 | 2.719 | .980 | 6.000 | I |
| M85049/3A27B1 | MS17340N27B1 | 10-524959-367 | 36 | 1.562 | 1.437 | 2.250 | 2.312 | 2.3125-16UN | 1.281 | 3.308 | 2.562 | 5.083 | 2.953 | 1.370 | 2.5000 | 2.719 | .980 | 6.000 | I |
| M85049/5A40B1 | MS17341N40B1 | 10-524959-368 | 36 | 1.445 | 1.320 | 2.000 | 2.312 | 2.3125-16UN | 1.281 | 3.246 | 2.562 | 5.021 | 2.625 | 1.371 | 2.5000 | 2.719 | .980 | 6.000 | II |
| M85049/5A38B1 | MS17341N38B1 | 10-524959-369 | 36 | 1.375 | 1.250 | 2.000 | 2.312 | 2.3125-16UN | 1.281 | 3.246 | 2.562 | 5.021 | 2.625 | 1.371 | 2.5000 | 2.719 | .980 | 6.000 | II |
| M85049/5A36B1 | MS17341N36B1 | 10-524959-370 | 36 | 1.310 | 1.185 | 1.780 | 2.312 | 2.3125-16UN | 1.281 | 3.184 | 2.562 | 4.959 | 2.469 | 1.372 | 2.5000 | 2.719 | .980 | 6.000 | II |
| M85049/5A42B1 | MS17341N42B1 | 10-524959-371 | 36 | 1.230 | 1.105 | 1.780 | 2.312 | 2.3125-16UN | 1.281 | 3.184 | 2.562 | 4.959 | 2.469 | 1.372 | 2.5000 | 2.719 | .980 | 6.000 | II |
| M85049/5A39B1 | MS17341N39B1 | 10-524959-372 | 36 | 1.180 | 1.055 | 1.780 | 2.312 | 2.3125-16UN | 1.281 | 3.184 | 2.562 | 4.959 | 2.469 | 1.372 | 2.5000 | 2.719 | .980 | 6.000 | II |
| M85049/5A37B1 | MS17341N37B1 | 10-524959-373 | 36 | 1.109 | .984 | 1.546 | 2.312 | 2.3125-16UN | 1.281 | 3.121 | 2.562 | 4.896 | 2.125 | 1.371 | 2.5000 | 2.719 | .980 | 6.000 | II |
| M85049/5A41B1 | MS17341N41B1 | 10-524959-374 | 36 | .970 | .857 | 1.312 | 2.250 | 2.3125-16UN | 1.094 | 3.063 | 2.562 | 4.651 | 1.812 | 1.375 | 2.5000 | 2.719 | .980 | 6.000 | II |
| M85049/4A31B1 | MS17342N31B1 | 10-524959-401 | 40 | 2.375 | 2.230 | 3.000 | 2.812 | 2.625-16UN | 1.391 | 3.609 | 2.875 | 5.682 | 3.625 | 1.421 | 2.7500 | 2.969 | .980 | 6.000 | III |
| M85049/4A32B1 | MS17342N32B1 | 10-524959-402 | 40 | 2.250 | 2.105 | 2.875 | 2.625 | 2.625-16UN | 1.391 | 3.609 | 2.875 | 5.682 | 3.500 | 1.421 | 2.7500 | 2.969 | .980 | 6.000 | III |
| M85049/4A33B1 | MS17342N33B1 | 10-524959-403 | 40 | 2.145 | 2.000 | 2.750 | 2.625 | 2.625-16UN | 1.391 | 3.547 | 2.875 | 5.620 | 3.375 | 1.422 | 2.7500 | 2.969 | .980 | 6.000 | III |
| M85049/4A34B1 | MS17342N34B1 | 10-524959-404 | 40 | 2.062 | 1.917 | 2.750 | 2.625 | 2.625-16UN | 1.391 | 3.547 | 2.875 | 5.620 | 3.375 | 1.422 | 2.7500 | 2.969 | .980 | 6.000 | III |
| M85049/5A43B1 | MS17341N43B1 | 10-524959-405 | 40 | 1.940 | 1.815 | 2.438 | 2.750 | 2.625-16UN | 1.391 | 4.281 | 2.875 | 6.334 | 3.171 | 2.156 | 2.7500 | 2.969 | .980 | 6.000 | II |
| M85049/5A44B1 | MS17341N44B1 | 10-524959-406 | 40 | 1.825 | 1.700 | 2.438 | 2.750 | 2.625-16UN | 1.391 | 4.281 | 2.875 | 6.334 | 3.171 | 2.156 | 2.7500 | 2.969 | .980 | 6.000 | II |
| M85049/5A45B1 | MS17341N45B1 | 10-524959-407 | 40 | 1.730 | 1.605 | 2.438 | 2.750 | 2.625-16UN | 1.391 | 4.281 | 2.875 | 6.334 | 3.171 | 2.156 | 2.7500 | 2.969 | .980 | 6.000 | II |
| M85049/5A46B1 | MS17341N46B1 | 10-524959-408 | 40 | 1.656 | 1.531 | 2.250 | 2.625 | 2.625-16UN | 1.281 | 4.094 | 2.875 | 6.057 | 2.953 | 2.156 | 2.7500 | 2.969 | .980 | 6.000 | II |

* Ordering procedure: Locate shell size needed (Column 4); select cable diameter range to be accommodated within the shell size (column 5); order by either MS part number (column 1) or Proprietary part number (column 3).

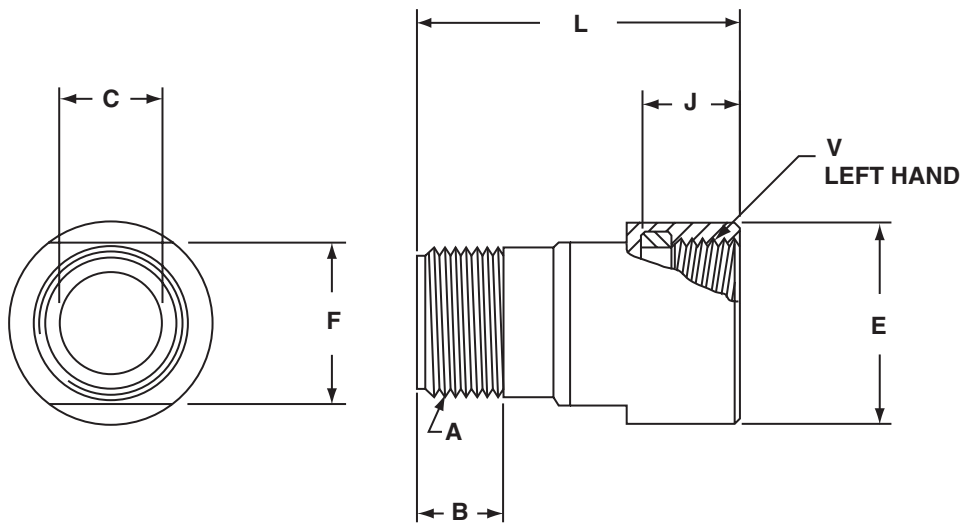
MS numbers shown are non-conductive finish. To order conductive finish, substitute "W" for "A" in the part number listed.

10- numbers shown are non-conductive finish. To order conductive finish, substitute prefix 88-.

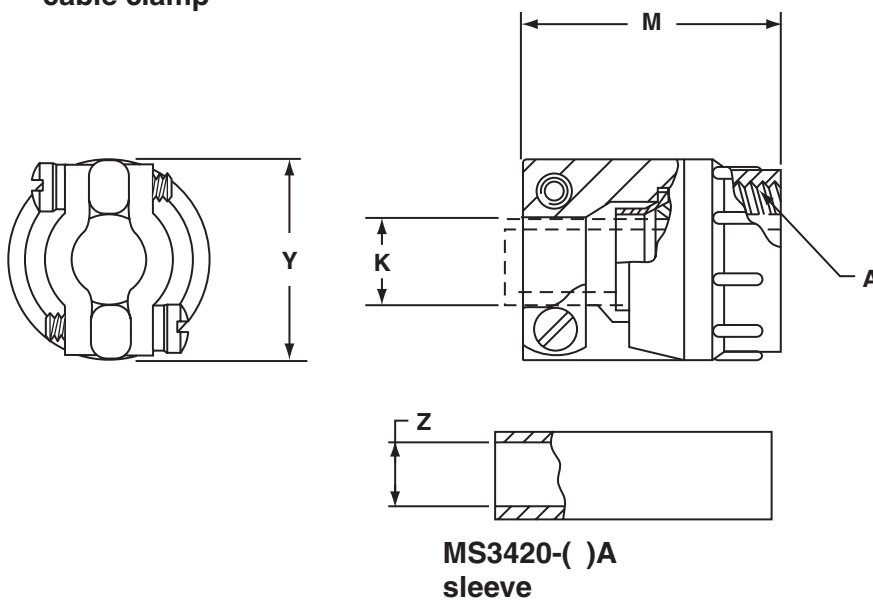
MIL-C-22992, QWLD Accessories

10-350695 adapter, 10-350349 cable clamp

10-350695-XX()
adapter



10-350349-()3
cable clamp



MIL-C-22992, QWLD Accessories

10-350695 adapter,

10-350349 cable clamp

All dimensions for reference only.

| Shell Size | Proprietary Adapter Part Number* | Clamp Part Number** | Superseded MS Part Number | A Thread Class 2A (Plated) | B Min Full Thd | C Dia +.000 - .010 | E +.010 - .020 | F ±.010 | J +.010 - .000 | K Dia | | L ±.010 | M Max | V Thread Class 2B-LH | Y Max |
|------------|----------------------------------|---------------------|---------------------------|----------------------------|----------------|--------------------|----------------|---------|----------------|-------|--------|---------|-------|----------------------|-------|
| | | | | | | | | | | Free | Closed | | | | |
| 12 | 10-350695-13() | 10-350349-12() | MS3057-4C | .625-24UNEF | .422 | .386 | .875 | .688 | .484 | .302 | .094 | 1.609 | 1.375 | .750-20UNEF | .906 |
| 14 | 10-350695-15() | 10-350349-14() | MS3057-6C | .750-20UNEF | .422 | .500 | 1.000 | .812 | .484 | .428 | .230 | 1.609 | 1.375 | .875-20UNEF | 1.031 |
| 16 | 10-350695-17() | 10-350349-16() | MS3057-8C | .875-20UNEF | .422 | .625 | 1.188 | .938 | .481 | .515 | .316 | 1.609 | 1.375 | 1.000-20UNEF | 1.125 |
| 18 | 10-350695-18() | 10-350349-18() | MS3057-10C | 1.000-20UNEF | .422 | .752 | 1.312 | 1.062 | .481 | .614 | .378 | 1.609 | 1.437 | 1.125-18UNEF | 1.234 |
| 20 | 10-350695-20() | 10-350349-20() | MS3057-12C | 1.1875-18UNEF | .422 | .891 | 1.438 | 1.250 | .481 | .738 | .445 | 1.609 | 1.437 | 1.250-18UNEF | 1.484 |
| 22 | 10-350695-22() | 10-350349-20() | MS3057-12C | 1.1875-18UNEF | .422 | .891 | 1.562 | 1.250 | .481 | .738 | .445 | 1.609 | 1.437 | 1.375-18UNEF | 1.484 |
| 24 | 10-350695-24() | 10-350349-24() | MS3057-16C | 1.4375-18UNEF | .422 | 1.111 | 1.812 | 1.500 | .481 | .926 | .611 | 1.609 | 1.562 | 1.625-18UNEF | 1.671 |
| 28 | 10-350695-28() | 10-350349-24() | MS3057-16C | 1.4375-18UNEF | .422 | 1.111 | 2.062 | 1.500 | .481 | .926 | .611 | 1.781 | 1.562 | 1.875-16UN | 1.671 |
| 32 | 10-350695-32() | 10-350349-32() | MS3057-20C | 1.750-18UNS | .484 | 1.422 | 2.250 | 1.875 | .481 | 1.200 | .922 | 1.781 | 1.812 | 2.0625-16UNS | 2.188 |
| 36 | 10-350695-36() | 10-350349-36() | MS3057-24C | 2.000-18UNS | .562 | 1.672 | 2.500 | 2.125 | .481 | 1.363 | .922 | 1.781 | 2.062 | 2.3125-16UNS | 2.344 |
| 40 | 10-350695-40() | 10-350349-40() | MS3057-28C | 2.250-16UN | .562 | 1.914 | 2.812 | 2.375 | .672 | 1.611 | 1.180 | 2.032 | 2.062 | 2.625-16UN | 2.594 |

* To attach the cable clamp to the left hand accessory threads of QWLD connectors, adapter 10-350695-XX is needed. Order this proprietary adapter from column 2 and suffix the part number with the finish desired, listed in the finish chart below.

** Order MS clamp (column 3) to accommodate the cable type being used. Standard finish on the clamp is olive drab, cadmium plate.

| Shell Size | Sleeve† MS Part Number | Z Dia | |
|------------|------------------------|------------|--------|
| | | Free ±.016 | Closed |
| 12 | MS3420-4A | .219 | .010 |
| 14 | MS3420-4A | .219 | .020 |
| | MS3420-6A | .312 | .114 |
| 16 | MS3420-6A | .312 | .085 |
| | MS3420-8A | .438 | .222 |
| 18 | MS3420-6A | .312 | .085 |
| | MS3420-10A | .438 | .200 |
| 20 | MS3420-8A | .438 | .177 |
| | MS3420-12A | .541 | .270 |
| 22 | MS3420-8A | .438 | .177 |
| | MS3420-12A | .541 | .270 |
| 24 | MS3420-8A | .438 | .186 |
| | MS3420-12A | .541 | .260 |
| | MS3420-16A | .750 | .433 |
| 28 | MS3420-8A | .438 | .186 |
| | MS3420-12A | .541 | .260 |
| | MS3420-16A | .750 | .433 |
| 32 | MS3420-12A | .541 | .273 |
| | MS3420-16A | .750 | .442 |
| | MS3420-20A | .938 | .620 |
| 36 | MS3420-16A | .750 | .358 |
| | MS3420-18A | .938 | .504 |
| | MS3420-24A | 1.125 | .682 |
| 40 | MS3420-16A | .750 | .368 |
| | MS3420-20A | .938 | .514 |
| | MS3420-28A | 1.250 | .816 |

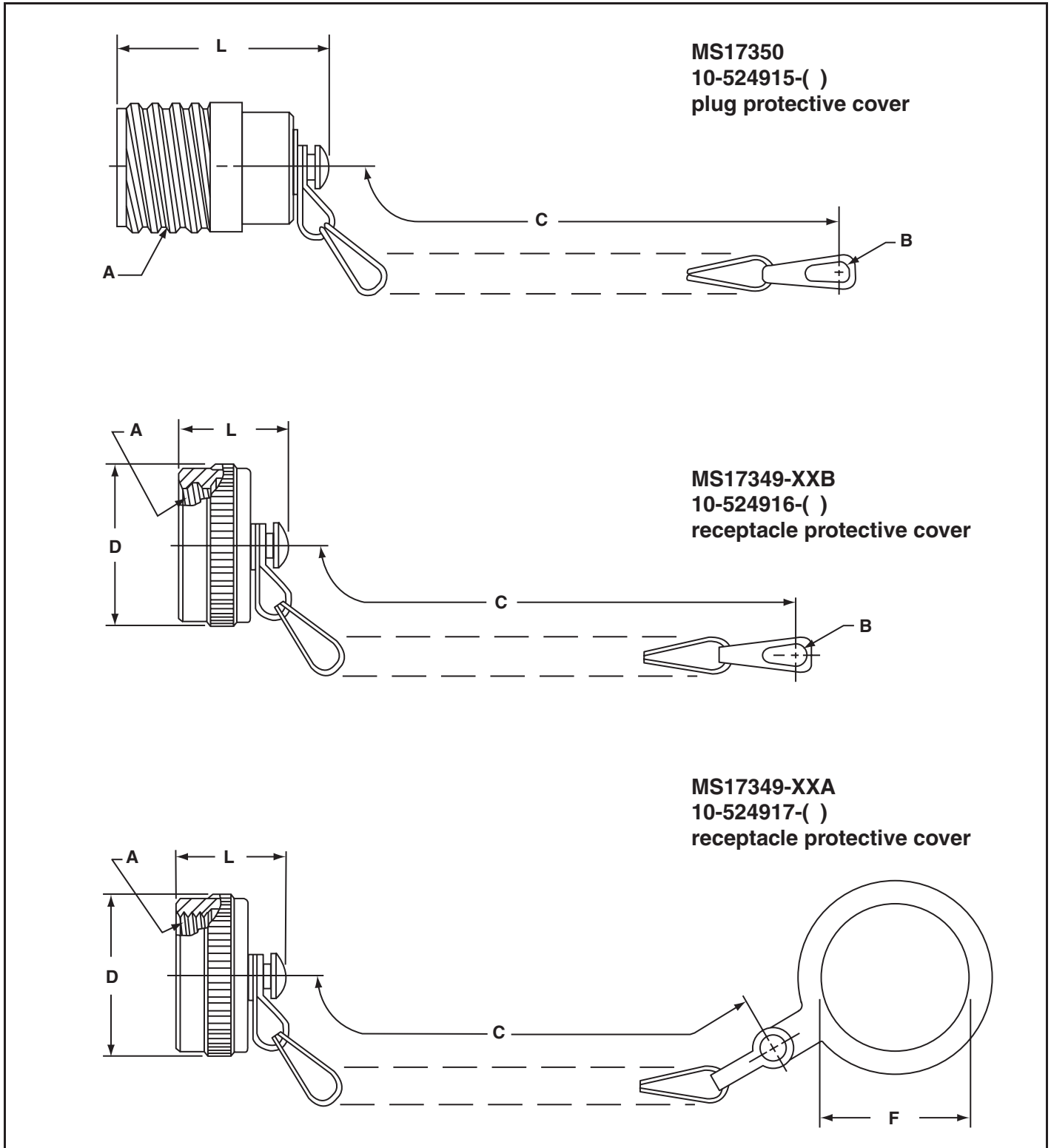
†Sleeve not supplied as part of assembly. Order separately by part number shown

| Finish Chart for Adapter & Clamp | Suffix |
|---------------------------------------|--------|
| Bright Cadmium Plate | -XX1 |
| Black Anodize | -XX2 |
| Olive Drab, Cadmium Plate | -XX3 |
| Gray Anodize | -XX4 |
| Anodic Coating | -XX* |
| Olive Drab Cadmium Plate, Nickel Base | -XX9 |

* No third digit required for 10-350695 and not available for 10-350349.

MIL-C-22992, QWLD Accessories

protective covers



MIL-C-22992, QWLD Accessories

protective covers

All dimensions for reference only.

| Shell Size | Plug Protective Cover MS Part Number* | Plug Protective Cover Proprietary Part Number** | A Thread Class 2A (Plated) 0.1P-0.2L Double Stub | B Dia +.010 -.005 | C Approx. | L Max |
|------------|---------------------------------------|---|--|-------------------|-----------|-------|
| 12 | MS17350-() | 10-524915-12() | .8750 | .156 | 5.000 | 1.500 |
| 14 | MS17350-() | 10-524915-14() | 1.0000 | .156 | 5.000 | 1.500 |
| 16 | MS17350-() | 10-524915-16() | 1.1250 | .156 | 5.000 | 1.500 |
| 18 | MS17350-() | 10-524915-18() | 1.2500 | .180 | 5.000 | 1.500 |
| 20 | MS17350-() | 10-524915-20() | 1.3750 | .180 | 5.000 | 1.500 |
| 22 | MS17350-() | 10-524915-22() | 1.5000 | .180 | 6.000 | 1.500 |
| 24 | MS17350-() | 10-524915-24() | 1.7500 | .180 | 6.000 | 1.500 |
| 28 | MS17350-() | 10-524915-28() | 2.0000 | .180 | 6.000 | 1.500 |
| 32 | MS17350-() | 10-524915-32() | 2.2500 | .209 | 6.000 | 1.500 |
| 36 | MS17350-() | 10-524915-36() | 2.5000 | .209 | 6.000 | 1.500 |
| 40 | MS17350-() | 10-524915-40() | 2.7500 | .209 | 6.000 | 1.500 |

*Order MS-approved covers as per coded part number example:

| PART NUMBER | | | |
|----------------|----------|-----------|----------|
| <u>MS17350</u> | <u>C</u> | <u>28</u> | <u>A</u> |
| 1 | 2 | 3 | 4 |

- MS Number -**
MS17350 designated plug protective cover
MS17349 designated receptacle protect cover
- Cover Finish - C** for conductive, N for non-conductive.
- Cover Size -** Shell size of connector with which cover is used.
- Cover Type - (MS17349 only) -**
A - Washer Termination, used with:
MS17345 line (cable connecting) plug
MS17347 jam nut receptacle
MS17348 jam nut receptacle
B - Eyelet Termination - used with:
MS17343 wall mount receptacle
MS17346 box mount receptacle

**Order Proprietary covers as per coded part number example:

| PART NUMBER | | | |
|------------------|---|-----------|----------|
| <u>10-524915</u> | - | <u>28</u> | <u>5</u> |
| 1 | | 2 | 3 |

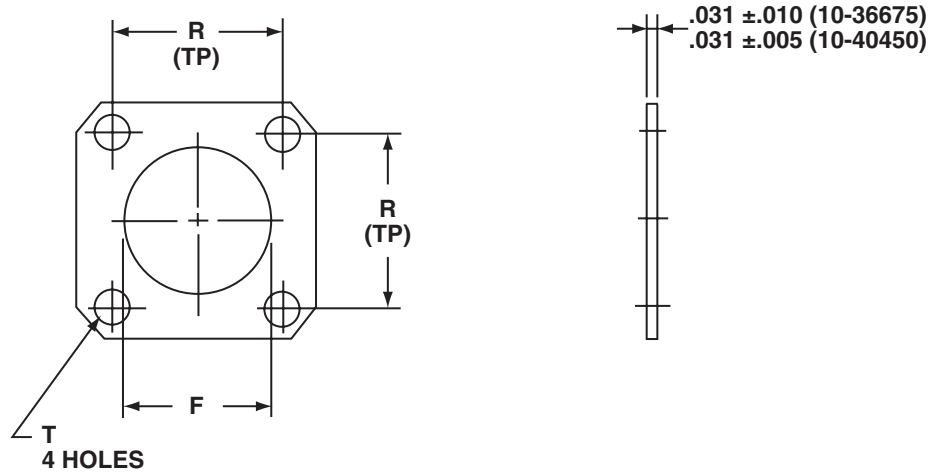
| Shell Size | Receptacle Protective Cover MS Part Number* | Receptacle Protective Cover Proprietary Part Number** | A Thread Class 2B 0.1P-0.2L Double Stub | B +.010 -.005 | C Approx. | D Dia. Max | F +.010 -.000 | L Max |
|------------|---|---|---|---------------|-----------|------------|---------------|-------|
| 12 | MS17349-()B MS17349-()A | 10-524916-12() 10-524917-12() | .8750 | .156 | 5.000 | 1.094 | 1.016 | .765 |
| 14 | MS17349-()B MS17349-()A | 10-524916-14() 10-524917-14() | 1.0000 | .156 | 5.000 | 1.219 | 1.141 | .765 |
| 16 | MS17349-()B MS17349-()A | 10-524916-16() 10-524917-16() | 1.1250 | .156 | 5.000 | 1.344 | 1.266 | .980 |
| 18 | MS17349-()B MS17349-()A | 10-524916-18() 10-524917-18() | 1.2500 | .180 | 5.000 | 1.469 | 1.391 | .980 |
| 20 | MS17349-()B MS17349-()A | 10-524916-20() 10-524917-20() | 1.3750 | .180 | 5.000 | 1.562 | 1.516 | .980 |
| 22 | MS17349-()B MS17349-()A | 10-524916-22() 10-524917-22() | 1.5000 | .180 | 6.000 | 1.688 | 1.641 | .980 |
| 24 | MS17349-()B MS17349-()A | 10-524916-24() 10-524917-24() | 1.7500 | .180 | 6.000 | 1.938 | 1.891 | .980 |
| 28 | MS17349-()B MS17349-()A | 10-524916-28() 10-524917-28() | 2.0000 | .180 | 6.000 | 2.219 | 2.141 | .980 |
| 32 | MS17349-()B MS17349-()A | 10-524916-32() 10-524917-32() | 2.2500 | .209 | 6.000 | 2.469 | 2.391 | .980 |
| 36 | MS17349-()B MS17349-()A | 10-524916-36() 10-524917-36() | 2.5000 | .209 | 6.000 | 2.719 | 2.641 | .980 |
| 40 | MS17349-()B MS17349-()A | 10-524916-40() 10-524917-40() | 2.7500 | .209 | 6.000 | 2.969 | 2.891 | .980 |

- Base Number -**
10-524915 designates plug cover with chain
10-524916 designates receptacle cover with chain
10-524917 designates receptacle cover with chain and attaching ring
- Cover Size -** Shell size of connector with which cover is used.
- Finish -**
5 - Non-conductive Alumilite finish
9 - Conductive olive drab cadmium plate over nickel finish

Note:
Protective covers are supplied with all M85049 style cable sealing adapters.

QWLD Accessories

sealing gaskets



All dimensions for reference only.

| Part Number* | Shell Size | F Dia +.016 -.000 | R ±.010 | T Dia ±.010 |
|--------------|------------|-------------------------|------------|----------------|
| 10-36675-14 | 12 | .875 | .906 | .172 |
| 10-36675-16 | 14 | 1.000 | .969 | .172 |
| 10-36675-18 | 16 | 1.125 | 1.063 | .203 |
| 10-36675-20 | 18 | 1.250 | 1.156 | .203 |
| 10-36675-22 | 20 | 1.375 | 1.250 | .203 |
| 10-36675-24 | 22 | 1.500 | 1.375 | .203 |
| 10-36675-28 | 24 | 1.750 | 1.563 | .203 |
| 10-36675-32 | 28 | 2.000 | 1.750 | .219 |
| 10-36675-36 | 32 | 2.188 | 1.938 | .219 |
| 10-36675-40 | 36 | 2.438 | 2.188 | .219 |
| 10-36675-44 | 40 | 2.688 | 2.375 | .219 |
| 10-36675-48 | 44 | 2.938 | 2.625 | .219 |

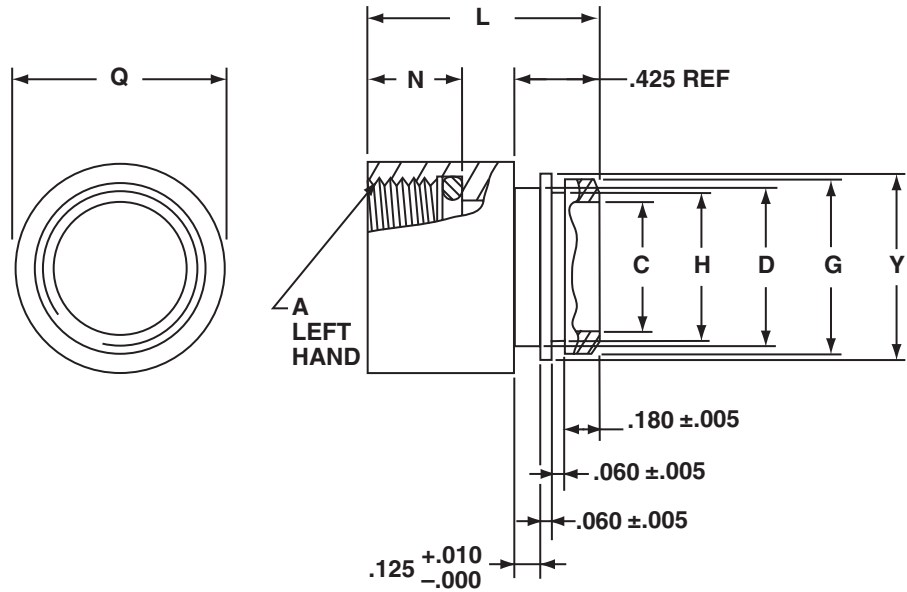
*10-36675-() for operating temperature range - 67° to + 275°F.
Order by part number listed to accommodate shell size being used.

| Part Number** | Shell Size | F Dia +.016 -.000 | R ±.010 | T Dia ±.010 |
|---------------|------------|-------------------------|------------|----------------|
| 10-40450-14 | 12 | .875 | .906 | .172 |
| 10-40450-16 | 14 | 1.000 | .969 | .172 |
| 10-40450-18 | 16 | 1.125 | 1.063 | .203 |
| 10-40450-20 | 18 | 1.250 | 1.156 | .203 |
| 10-40450-22 | 20 | 1.375 | 1.250 | .203 |
| 10-40450-24 | 22 | 1.500 | 1.375 | .203 |
| 10-40450-28 | 24 | 1.750 | 1.563 | .203 |
| 10-40450-32 | 28 | 2.000 | 1.750 | .219 |
| 10-40450-36 | 32 | 2.188 | 1.938 | .219 |
| 10-40450-40 | 36 | 2.437 | 2.188 | .219 |
| 10-40450-44 | 40 | 2.688 | 2.375 | .219 |
| 10-40450-48 | 44 | 2.938 | 2.625 | .219 |

**10-40450-() for operating temperature range 0° to + 275°F.
Order by part number listed to accommodate shell size being used.

QWLD Accessories

encapsulation adapter



All dimensions for reference only.

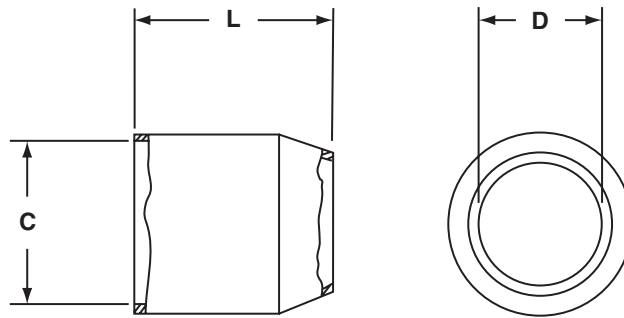
| Part Number* | Shell Size | A Thread Class 2B-LH | C Dia ±.031 | D Dia ±.005 | G $+.010 / -.000$ | H Dia ±.005 | L ±.031 | N ±.016 | Q ±.010 | Y Dia |
|-----------------|------------|----------------------|-------------|-------------|-------------------|-------------|---------|---------|---------|-------|
| 10-242067-13() | 12 | .750-20UNEF | .500 | .673 | .766 | .673 | 1.175 | .479 | .923 | .798 |
| 10-242067-15() | 14 | .875-20UNEF | .656 | .797 | .844 | .797 | 1.175 | .479 | 1.047 | .922 |
| 10-242067-17() | 16 | 1.000-20UNEF | .813 | .923 | .969 | .923 | 1.175 | .479 | 1.172 | 1.048 |
| 10-242067-18() | 18 | 1.125-18UNEF | .938 | 1.047 | 1.094 | 1.047 | 1.175 | .479 | 1.297 | 1.172 |
| 10-242067-20() | 20 | 1.250-18UNEF | 1.063 | 1.172 | 1.219 | 1.172 | 1.175 | .479 | 1.422 | 1.297 |
| 10-242067-22() | 22 | 1.375-18UNEF | 1.188 | 1.297 | 1.344 | 1.297 | 1.175 | .479 | 1.547 | 1.423 |
| 10-242067-24() | 24 | 1.625-18UNEF | 1.312 | 1.537 | 1.469 | 1.422 | 1.175 | .479 | 1.787 | 1.662 |
| 10-242067-28() | 28 | 1.875-16UN | 1.500 | 1.797 | 1.719 | 1.679 | 1.175 | .479 | 2.047 | 1.922 |
| 10-242067-32() | 32 | 2.0625-16UN | 1.800 | 2.047 | 2.000 | 1.960 | 1.175 | .479 | 2.297 | 2.172 |
| 10-242067-36() | 36 | 2.3125-16UN | 2.000 | 2.297 | 2.219 | 2.179 | 1.175 | .479 | 2.547 | 2.422 |
| 10-242067-40() | 40 | 2.625-16UN | 2.250 | 2.609 | 2.469 | 2.429 | 1.375 | .667 | 2.859 | 2.734 |
| 10-242067-44() | 44 | 2.875-16UN | 2.459 | 2.857 | 2.782 | 2.742 | 1.375 | .667 | 3.110 | 2.982 |
| 10-242067-48() | 48 | 3.125-16UN | 2.719 | 3.107 | 3.046 | 3.004 | 1.375 | .667 | 3.360 | 3.244 |

*Order by part number listed to accommodate shell size being used. To complete part number add suffix for finish desired from table below.

| Finish | Suffix |
|---------------------------|--------|
| Bright Cadmium Plate | -XX1 |
| Black Anodize | -XX2 |
| Cadmium Plate, Olive Drab | -XX3 |
| Gray Anodize | -XX4 |
| Anodic Coating | -XX5 |
| Cadmium Plate Nickel Base | -XX7 |

QWLD Accessories

encapsulation end bell



All dimensions are for reference only.

| Part Number* | C Dia | D Dia ±.010 | L ±.010 |
|--------------|--|----------------|------------|
| 10-130999-13 | .766 ^{+0.000} / _{-.010} | .484 | 1.273 |
| 10-130999-15 | .844 ^{+0.000} / _{-.010} | .609 | 1.273 |
| 10-130999-17 | .969 ^{+0.000} / _{-.010} | .734 | 1.273 |
| 10-130999-18 | 1.094 ^{+0.000} / _{-.010} | .859 | 1.242 |
| 10-130999-20 | 1.219 ^{+0.000} / _{-.015} | .984 | 1.242 |
| 10-130999-22 | 1.344 ^{+0.000} / _{-.015} | 1.109 | 1.242 |
| 10-130999-24 | 1.469 ^{+0.000} / _{-.015} | 1.234 | 1.179 |
| 10-130999-28 | 1.719 ^{+0.000} / _{-.015} | 1.427 | 1.179 |
| 10-130999-32 | 2.000 ^{+0.000} / _{-.020} | 1.708 | 1.101 |
| 10-130999-36 | 2.219 ^{+0.000} / _{-.020} | 1.895 | 1.101 |
| 10-130999-40 | 2.469 ^{+0.000} / _{-.020} | 2.130 | 1.101 |
| 10-130999-44 | 2.782 ^{+0.000} / _{-.020} | 2.443 | 1.101 |
| 10-130999-48 | 3.046 ^{+0.000} / _{-.020} | 2.707 | 1.101 |

*Order by part number listed to accommodate shell size being used.

MIL-C-22992, QWLD

MS solder contacts

Machine copper alloy contacts in a full range of sizes, with closed entry socket design in the size 12 and 16 contacts. A heavy silver-plated finish is deposited on all MS style solder contacts for maximum corrosion resistance, maximum current carrying capacity and low millivolt drop. Gold plated contacts are also available (See how to order, page 22).

SOLDER CONTACTS*

| Part Number | Pin/Socket | Mating End Size | Wire Barrel Size | Allowable Wire Size | Test Current** Amps |
|----------------------------|---------------|-----------------|------------------|----------------------|----------------------|
| 10-36982-3 10-36983-3 | Pin Socket | 16 Long | 16 | 16 18 20 22 | 13 10 7.5 5 |
| 10-36982-5 10-36983-5 | Pin Socket | 12 | 12 | 12 10 | 23 17 |
| 10-407028-8 10-407029-8 | Pin Socket | 8 | 8 | 8 10 | 46 33 |
| 10-407028-4 10-407029-4 | Pin Socket | 4 | 4 | 4 6 | 80 60 |
| 10-407028-3 10-407029-3 | Pin Socket | 0 | 0 | 0 1 2 | 150 125 100 |

* Solder Wells Unfilled

** Contact ratings as stated are test ratings only. The connector could not withstand full rated current through all contacts continuously. Please note that the electrical data given is not an establishment of electrical safety factors. This is left entirely in the designer's hands as he can best determine which peak voltage, switching surges, transients, etc. can be expected in a particular circuit.

Table I
CONTACT ARRANGEMENT
SERVICE RATING

| MS Service Rating | Recommended Operating Voltage* at Sea Level | | Effective Creepage Distance Nom. | Mechanical Spacing Nom. |
|-------------------|---|---------|----------------------------------|-------------------------|
| | DC | AC(RMS) | | |
| Inst. | 250 | 200 | 1/16 | |
| A | 700 | 500 | 1/8 | 1/16 |
| D | 1250 | 900 | 3/16 | 1/8 |
| E | 1750 | 1250 | 1/4 | 3/16 |
| B | 2450 | 1750 | 5/16 | 1/4 |
| C | 4200 | 3000 | 1 | 5/16 |

* The values listed in Table I represent operating values which include a generous safety factor. It may be necessary for some applications to exceed the operating voltages listed here. If this is necessary, designers will find Table II useful for determining the degree to which the recommended values of Table I can be exceeded.

Table II
ALTITUDE VOLTAGE
DERATING CHART**

| MS Service Rating | Nominal Distance | | Standard Sea Level Conditions | | Pressure Altitude† 50,000 Feet | | Pressure Altitude† 70,000 Feet | |
|-------------------|------------------|----------|-----------------------------------|----------------------|-----------------------------------|----------------------|-----------------------------------|----------------------|
| | Airspace | Creepage | Minimum Flashover Voltage AC(RMS) | Test Voltage AC(RMS) | Minimum Flashover Voltage AC(RMS) | Test Voltage AC(RMS) | Minimum Flashover Voltage AC(RMS) | Test Voltage AC(RMS) |
| Inst. | 1/32 | 1/16 | 1400 | 1000 | 550 | 400 | 325 | 260 |
| A | 1/16 | 1/8 | 2800 | 2000 | 800 | 600 | 450 | 360 |
| D | 1/8 | 3/16 | 3600 | 2800 | 900 | 675 | 500 | 400 |
| E | 3/16 | 1/4 | 4500 | 3500 | 1000 | 750 | 550 | 440 |
| B | 1/4 | 5/16 | 5700 | 4500 | 1100 | 825 | 600 | 480 |
| C | 5/16 | 1 | 8500 | 7000 | 1300 | 975 | 700 | 560 |

† Not corrected for changes in density due to variations in temperature.

** No attempt has been made to recommend operating voltages. The designer must determine his own operating voltage by the application of a safety factor to the above derating chart to compensate for circuit transients, surges, etc.

QWLD

solderless (crimp) contacts

Machined from copper alloys and silver-plated for maximum corrosion resistance, with a minimum millivolt drop and a maximum current carrying capacity, the size 16 and 12 socket contacts are of the closed entry design. Crimp contacts are available for all MS insert arrangements and are identified with an Amphenol® proprietary number. Gold plated contacts are also available (See how to order, page 22).

CRIMP CONTACTS*

| Part Number | Pin/Socket | Mating End Size | Wire Barrel Size | Allowable Wire Size | Required Wire Adapter Sleeve | Test Current** Amps |
|---------------------------|------------|-----------------|------------------|---------------------|------------------------------|---------------------|
| 10-40557 | Pin | 16 Long | 16 | 16 | — | 13 |
| 10-40556 or 10-597109-171 | Socket | | | 18 | — | 10 |
| | | | | 20 | — | 7.5 |
| | | | | 22* | 10-74696-6 | 5 |
| 10-40561 | Pin | 12 | 12 | 12 | — | 23 |
| 10-40560 or 10-597109-131 | Socket | | | 14 | — | 17 |
| 10-40792 | Pin | 8 | 8 | 8 | — | 46 |
| 10-40793 | Socket | | | 10* | 10-74696-1 | 33 |
| 10-40564 | Pin | 4 | 4 | 4 | — | 80 |
| 10-40565 | Socket | | | 6* | 10-74696-2 | 60 |
| 10-40562 | Pin | 0 | 0 | 0 | — | 150 |
| 10-40563 | Socket | | | 2* | 10-74696-7 | 100 |

* When using wire adapter sleeve shown.

** Contact ratings as stated are test ratings only. The connector could not withstand full rated current through all contacts continuously. Please note that the electrical data given is not an establishment of electrical safety factors. This is left entirely in the designer's hands as he can best determine which peak voltage, switching surges, transients, etc. can be expected in a particular circuit.

Table I
CONTACT ARRANGEMENT
SERVICE RATING

| MS Service Rating | Recommended Operating Voltage* at Sea Level | | Effective Creepage Distance Nom. | Mechanical Spacing Nom. |
|-------------------|---|----------|----------------------------------|-------------------------|
| | DC | AC (RMS) | | |
| Inst. | 250 | 200 | 1/16 | |
| A | 700 | 500 | 1/8 | 1/16 |
| D | 1250 | 900 | 3/16 | 1/8 |
| E | 1750 | 1250 | 1/4 | 3/16 |
| B | 2450 | 1750 | 5/16 | 1/4 |
| C | 4200 | 3000 | 1 | 5/16 |

* The values listed in Table I represent operating values which include a generous safety factor. It may be necessary for some applications to exceed the operating voltages listed here. If this is necessary, designers will find Table II useful for determining the degree to which the recommended values of Table I can be exceeded.

Table II
ALTITUDE VOLTAGE
DERATING**

| MS Service Rating | Nominal Distance | | Standard Sea Level Conditions | | Pressure Altitude† 50,000 feet | | Pressure Altitude† 70,000 feet | |
|-------------------|------------------|----------|------------------------------------|-----------------------|------------------------------------|-----------------------|------------------------------------|-----------------------|
| | Airspace | Creepage | Minimum Flashover Voltage AC (RMS) | Test Voltage AC (RMS) | Minimum Flashover Voltage AC (RMS) | Test Voltage AC (RMS) | Minimum Flashover Voltage AC (RMS) | Test Voltage AC (RMS) |
| Inst. | 1/32 | 1/16 | 1400 | 1000 | 550 | 400 | 325 | 260 |
| A | 1/16 | 1/8 | 2800 | 2000 | 800 | 600 | 450 | 360 |
| D | 1/8 | 3/16 | 3600 | 2800 | 900 | 675 | 500 | 400 |
| E | 3/16 | 1/4 | 4500 | 3500 | 1000 | 750 | 550 | 440 |
| B | 1/4 | 5/16 | 5700 | 4500 | 1100 | 825 | 600 | 480 |
| C | 5/16 | 1 | 8500 | 7000 | 1300 | 975 | 700 | 560 |

† Not corrected for changes in density due to variations in temperature.

** No attempt has been made to recommend operating voltages. The designer must determine his own operating voltage by the application of a safety factor to the above derating chart to compensate for circuit transients, surges, etc.

QWLD

application tools

Complete installation instructions (L-615) for Amphenol® QWLD Series Connectors are available on request.

The following data includes information pertaining to the application tools which have been established for crimping, inserting and removing crimp contacts used in QWLD Series Connectors.

Contact Crimping, Insertion & Removal Tools

| Crimping Tool | Positioner/ Turret | Contact Size | Contact Style | Insertion Tool | Removal Tool |
|---------------|-----------------------|--------------|---------------|----------------|-------------------------------------|
| M22520/1-01 | * | 16 | Pin & Socket | 11-7345 | 11-8250 Kit |
| M22520/1-01 | * | 12 | Pin & Socket | 11-7082 | 11-8250 Kit |
| ** | ** | 8 | Pin & Socket | 11-8220 | 11-8250 Kit |
| ** | ** | 4 | Pin & Socket | 11-7365-4† | Pin 11-7370-4† Socket 11-7674-2† |
| ** | ** | 0 | Pin & Socket | 11-7365-5† | Pin 11-7370-5† Socket 11-7674-3† |

* Use Daniels Turret TH29-1 or Astro Tool Co. Turret 616266

** For appropriate crimp tool and positioner refer to Pico Crimping Tool Co.

† Tool used with Arbor press 11-7364.