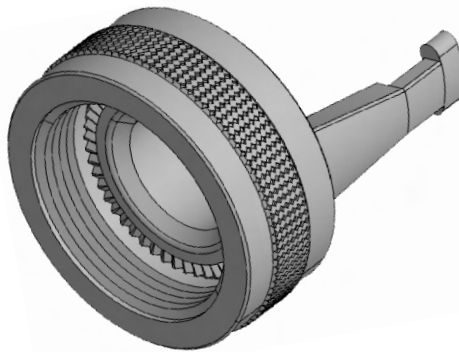


QUICK CLAMP



Many applications call for just tidying up the cable in the desired direction with a “minimum weight” consideration. Amphenol Quick Clamps are useful for such applications. It finds applications in interior wiring of flying machines

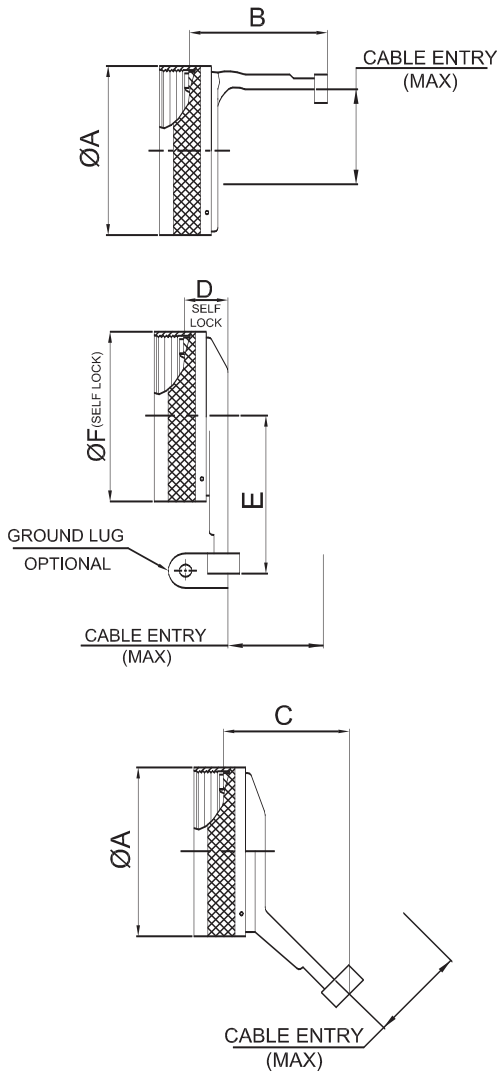
For Connector Group		Page No.
J	→	X-1
K	→	X-2
L	→	X-3
M	→	X-4

Note: For Connector group Identification refer Table 1 - A, B, C, D (Page 7-11) and for Material / Plating Finish, Refer Table-2 (Page 12)

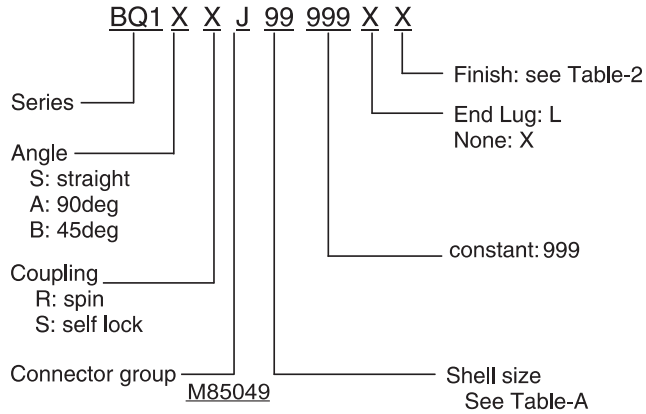


Connector Group - J

Straight, 90°, 45°



Amphenol Part Number



MIL Part Number

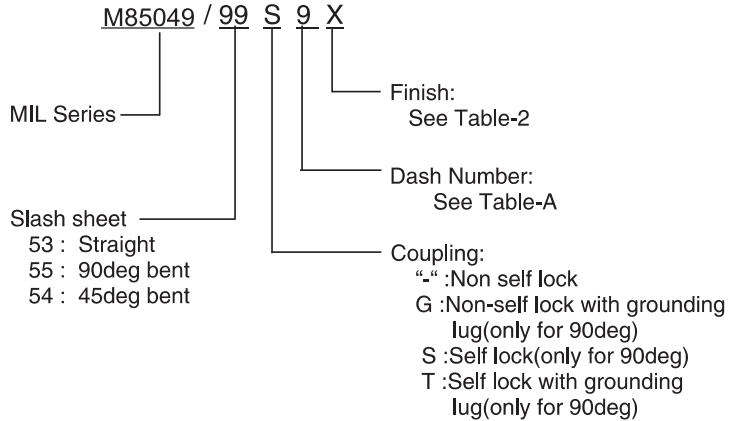
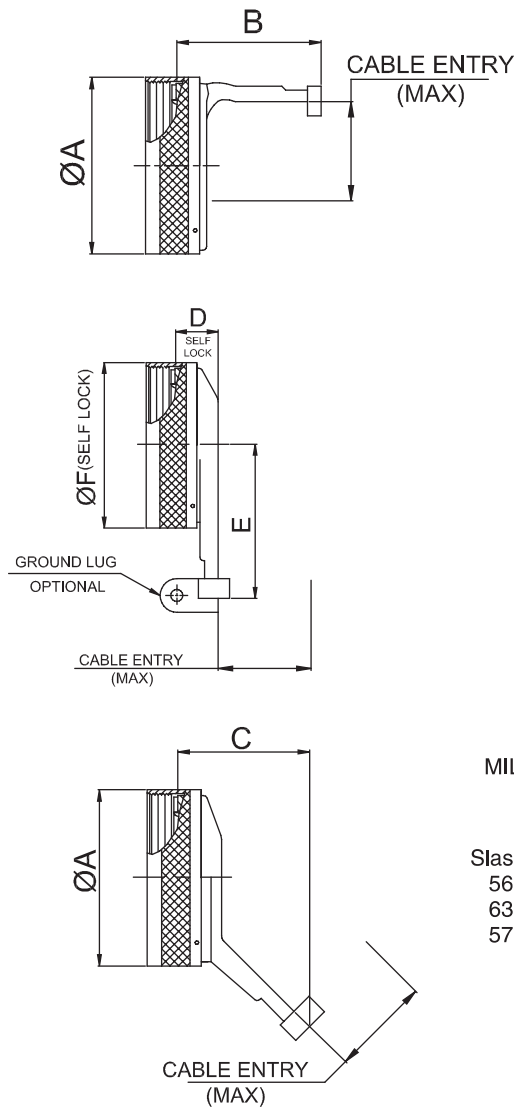
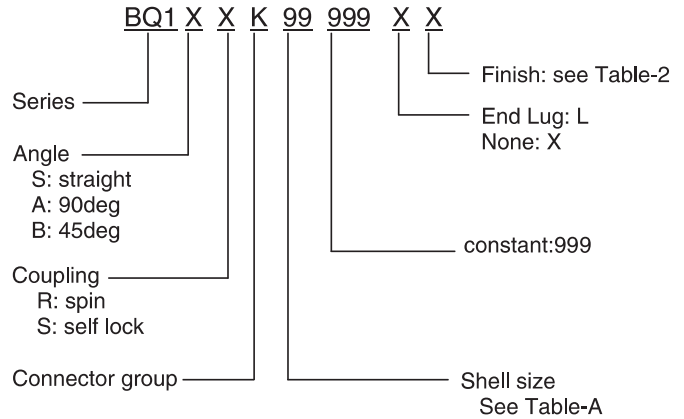


TABLE - A

AMPHENOL PART NUMBER DESIGNATOR	MIL PART NUMBER DESIGNATOR	CONNECTOR SHELL SIZE	A DIA. (MAX)		B (MAX)		C (MAX)		D (MAX)		E (MAX)		F DIA. (MAX)		WIRING ENTRY (MAX)	
			INCH	MM	INCH	MM	INCH	MM	INCH	MM	INCH	MM	INCH	MM	INCH	MM
08	08	8	0.66	16.69	0.95	24.23	1.23	31.29	0.73	18.54	1.22	30.99	0.89	22.48	0.26	6.60
10	10	10	0.78	19.86	0.95	24.23	1.23	31.29	0.73	18.54	1.29	32.77	1.01	25.65	0.37	9.27
12	12	7/12	0.94	23.80	0.95	24.23	1.23	31.29	0.73	18.54	1.62	41.15	1.14	28.83	0.50	12.73
14	14	12/14	1.05	26.67	1.20	30.58	1.23	31.29	0.73	18.54	1.66	42.16	1.26	32.00	0.58	14.61
16	16	19/16	1.24	31.47	1.20	30.58	1.23	31.29	0.73	18.54	1.72	43.69	1.39	35.18	0.70	17.78
18	18	27/18	1.38	35.00	1.20	30.58	1.23	31.29	0.73	18.54	1.72	43.69	1.51	38.35	0.78	19.79
20	20	37/20	1.50	38.10	1.31	33.27	1.48	37.64	0.75	19.05	1.79	45.47	1.64	41.53	0.90	22.96
22	22	22	1.63	41.43	1.43	36.32	1.48	37.64	0.75	19.05	1.85	46.99	1.76	44.70	1.03	26.14
24	24	24	1.75	44.45	1.56	39.62	1.48	37.64	0.75	19.05	1.91	48.51	1.89	47.88	1.14	29.06
28	28	28	1.97	50.04	1.56	39.62	1.47	37.31	0.75	19.05	2.06	52.32	2.14	54.23	1.38	35.03



Amphenol Part Number



MIL Part Number

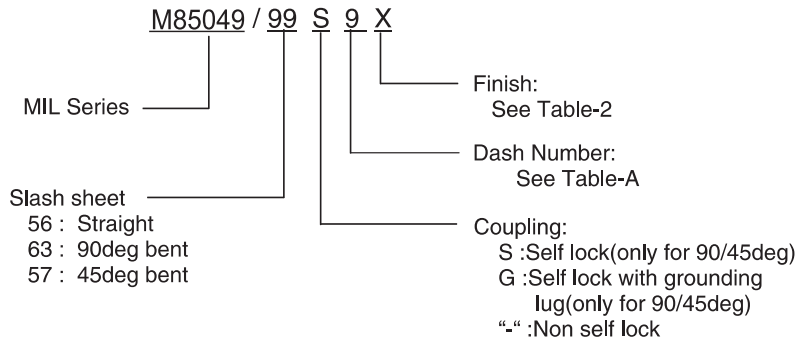
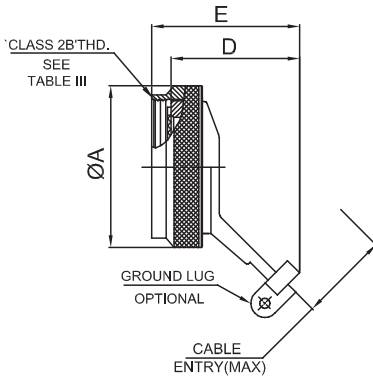
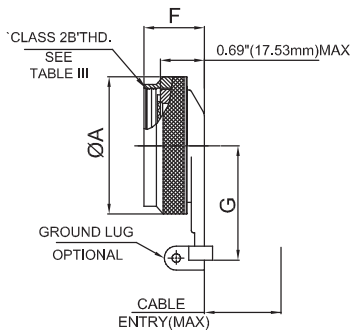
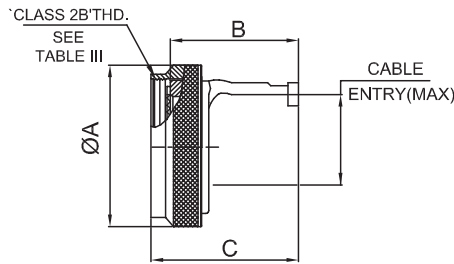


TABLE - A

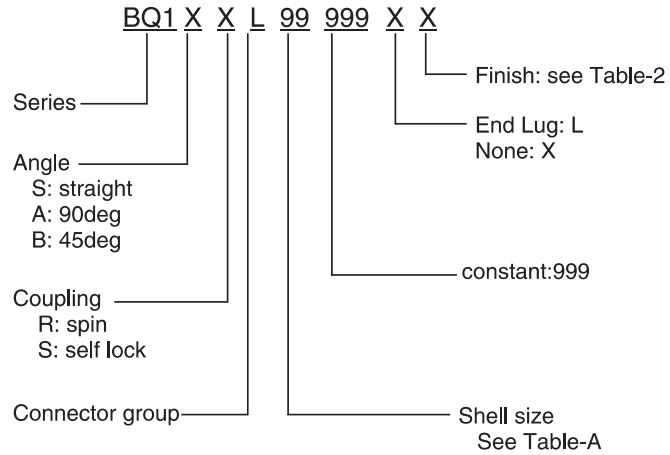
AMPHENOL PART NUMBER DESIGNATOR	MIL PART NUMBER DESIGNATOR	CONNECTOR SHELL SIZE	A DIA. (MAX)		B (MAX)		C (MAX)		D (MAX)		E (MAX)		F DIA. (MAX)		WIRING ENTRY (MAX)	
			INCH	MM	INCH	MM	INCH	MM	INCH	MM	INCH	MM	INCH	MM	INCH	MM
08	08	8	0.66	16.69	0.95	24.23	1.23	31.29	0.73	18.54	1.22	30.99	0.89	22.48	0.26	6.60
10	10	10	0.78	19.86	0.95	24.23	1.23	31.29	0.73	18.54	1.29	32.77	1.01	25.65	0.37	9.27
12	12	7/12	0.94	23.80	0.95	24.23	1.23	31.29	0.73	18.54	1.62	41.15	1.14	28.83	0.50	12.73
14	14	12/14	1.05	26.67	1.20	30.58	1.23	31.29	0.73	18.54	1.66	42.16	1.26	32.00	0.58	14.61
16	16	19/16	1.24	31.47	1.20	30.58	1.23	31.29	0.73	18.54	1.72	43.69	1.39	35.18	0.70	17.78
18	18	27/18	1.38	35.00	1.20	30.58	1.23	31.29	0.73	18.54	1.72	43.69	1.51	38.35	0.78	19.79
20	20	37/20	1.50	38.10	1.31	33.27	1.48	37.64	0.75	19.05	1.79	45.47	1.64	41.53	0.90	22.96
22	22	22	1.63	41.43	1.43	36.32	1.48	37.64	0.75	19.05	1.85	46.99	1.76	44.70	1.03	26.14
24	24	24	1.75	44.45	1.56	39.62	1.48	37.64	0.75	19.05	1.91	48.51	1.89	47.88	1.14	29.06
28	28	28	1.97	50.04	1.56	39.62	1.47	37.31	0.75	19.05	2.06	52.32	2.14	54.23	1.38	35.03

Connector Group - L

Straight, 90°, 45°



Amphenol Part Number



MIL Part Number

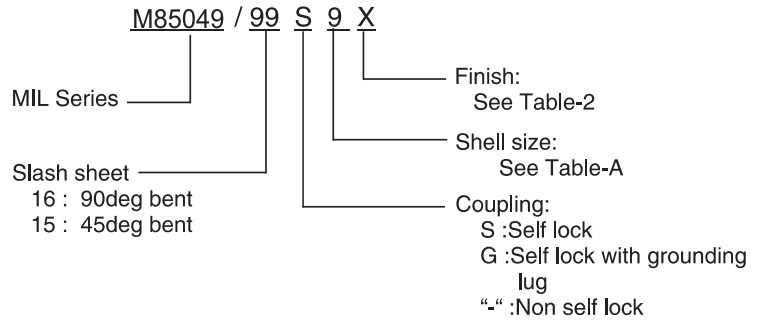
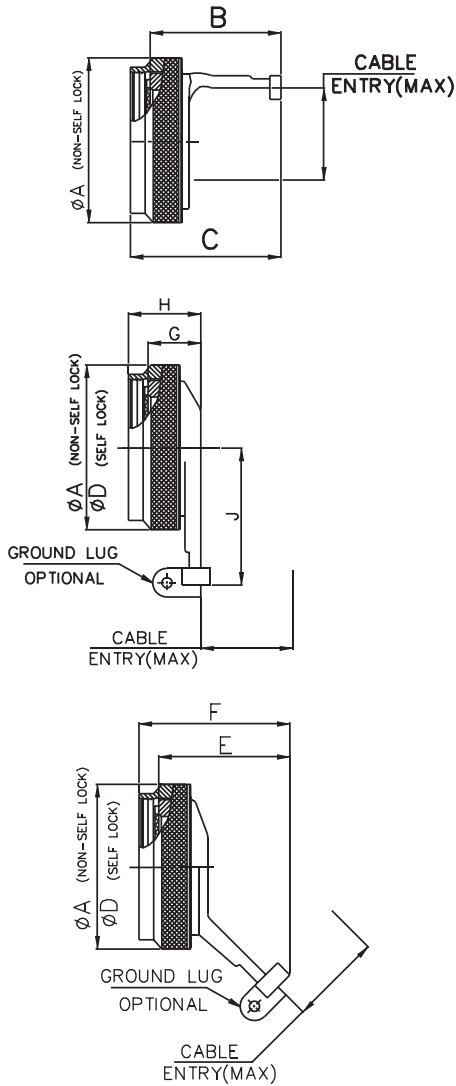
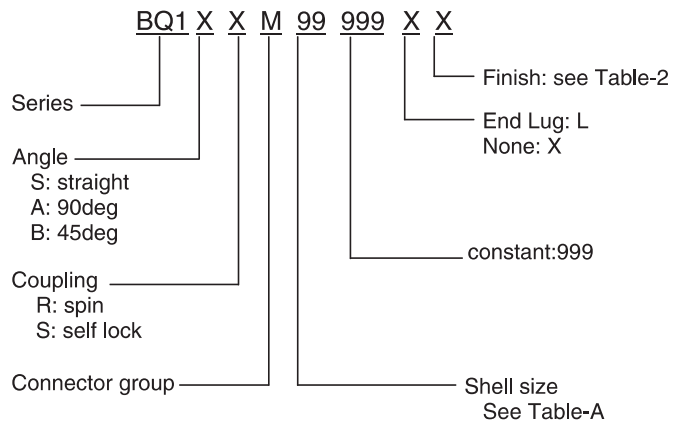


TABLE - A

AMPHENOL PART NUMBER DESIGNATOR	MIL PART NUMBER DESIGNATOR	CONNECTOR SHELL SIZE/CODE (REF.)	A DIA. (MAX)		B (MAX)		C (MAX)		D (MAX)		E (MAX)		F (MAX)		G (MAX)		WIRING ENTRY(MAX)	
			INCH	MM	INCH	MM	INCH	MM	INCH	MM	INCH	MM	INCH	MM	INCH	MM	INCH	MM
08	09	09 / A	0.86	21.79	0.90	22.86	1.09	27.69	1.03	26.16	1.43	36.32	0.99	25.15	1.22	30.99	0.26	6.71
10	11	11 / B	0.98	24.99	0.90	22.86	1.09	27.69	1.03	26.16	1.43	36.32	0.99	25.15	1.29	32.77	0.39	9.96
12	13	13 / C	1.16	29.39	0.96	24.38	1.15	29.21	1.03	26.16	1.43	36.32	0.99	25.15	1.62	41.15	0.51	12.85
14	15	15 / D	1.28	32.49	1.14	28.96	1.33	33.78	1.09	27.69	1.93	49.02	0.99	25.15	1.66	42.16	0.63	16.03
16	17	17 / E	1.41	35.71	1.14	28.96	1.33	33.78	1.11	28.19	1.93	49.02	0.99	25.15	1.72	43.69	0.76	19.20
18	19	19 / F	1.52	38.51	1.20	30.48	1.39	35.31	1.21	30.73	2.03	51.56	0.99	25.15	1.72	43.69	0.85	21.46
20	21	21 / G	1.64	41.71	1.33	33.78	1.52	38.61	1.26	32.00	2.09	53.09	0.99	25.15	1.79	45.47	0.97	24.64
22	23	23 / H	1.77	44.91	1.45	36.83	1.54	39.12	1.30	33.02	2.09	53.09	0.99	25.15	1.85	46.99	1.10	27.81
24	25	25 / J	1.89	47.98	1.59	40.39	1.78	45.21	1.34	34.04	2.24	56.90	0.99	25.15	1.91	48.51	1.22	30.99



Amphenol Part Number



AMPHENOL PART NUMBER DESIGNATOR	CONNECTOR SHELL SIZE	A DIA. (MAX)		B (MAX)		C (MAX)		D DIA. (MAX)		E (MAX)		F (MAX)		G (MAX)		H (MAX)		J (MAX)		WIRING ENTRY(MAX)	
		INCH	MM	INCH	MM	INCH	MM	INCH	MM	INCH	MM	INCH	MM	INCH	MM	INCH	MM	INCH	MM	INCH	MM
08	8	0.75	19.05	0.90	22.86	1.09	27.69	0.86	21.84	1.03	26.16	1.25	31.75	0.69	17.53	0.99	25.15	1.22	30.99	0.26	6.71
10	10	0.85	21.59	0.90	22.86	1.09	27.69	0.98	24.89	1.03	26.16	1.25	31.75	0.69	17.53	0.99	25.15	1.29	32.77	0.39	9.96
12	12	1.00	25.40	0.96	24.38	1.15	29.21	1.16	29.46	1.03	26.16	1.25	31.75	0.69	17.53	0.99	25.15	1.62	41.15	0.51	12.85
14	14	1.10	27.94	1.14	28.96	1.33	33.78	1.28	32.51	1.09	27.69	1.31	33.27	0.70	17.78	0.99	25.15	1.66	42.16	0.63	16.03
16	16	1.25	31.75	1.14	28.96	1.33	33.78	1.41	35.81	1.11	28.19	1.33	33.78	0.70	17.78	0.99	25.15	1.72	43.69	0.76	19.20
18	18	1.40	35.56	1.20	30.48	1.39	35.31	1.52	38.61	1.21	30.73	1.43	36.32	0.73	18.54	0.99	25.15	1.72	43.69	0.85	21.46
20	20	1.50	38.10	1.33	33.78	1.52	38.61	1.64	41.66	1.26	32.00	1.48	37.59	0.73	18.54	0.99	25.15	1.79	45.47	0.97	24.64
22	22	1.65	41.91	1.45	36.83	1.54	39.12	1.77	44.96	1.30	33.02	1.52	38.61	0.73	18.54	0.99	25.15	1.85	46.99	1.10	27.81
24	24	1.75	44.45	1.59	40.39	1.78	45.21	1.89	48.01	1.34	34.04	1.56	39.62	0.73	18.54	0.99	25.15	1.91	48.51	1.22	30.99