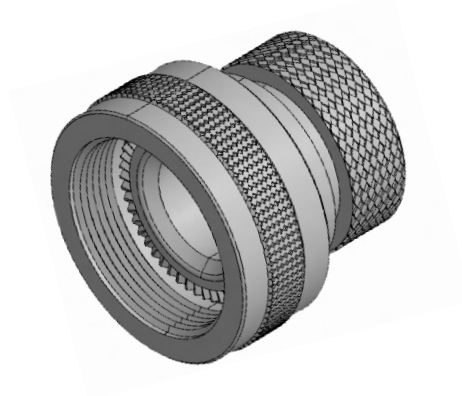


SHRINK BOOT ADAPTOR



Amphenol shrink boot adaptor is a good option when the unshielded cables are terminated with heat shrink boots. It has a groove where the boot lip can be held which provides good grip apart from sufficient space inside for the cable looping.

Using the heat shrink boot is one way of providing environmental protection and strain relief to cable termination. Using a suitable adapter is essential here to ensure the repairability. Amphenol shrink boot adaptor is designed to provide excellent characteristics in all these parameters.

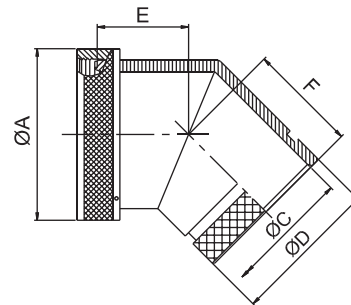
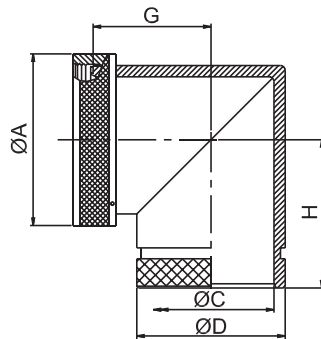
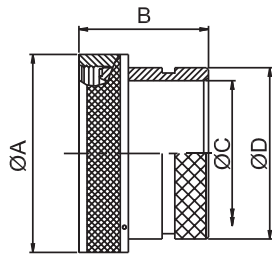
For Connector Group		Page No.
J	→	V-1 - V-2
K	→	V-3 - V-4
L	→	V-5
M	→	V-6
N	→	V-7

Note: For Connector group Identification refer Table 1 - A, B, C, D (Page 7-11) and for Material / Plating Finish, Refer Table-2 (Page 12)



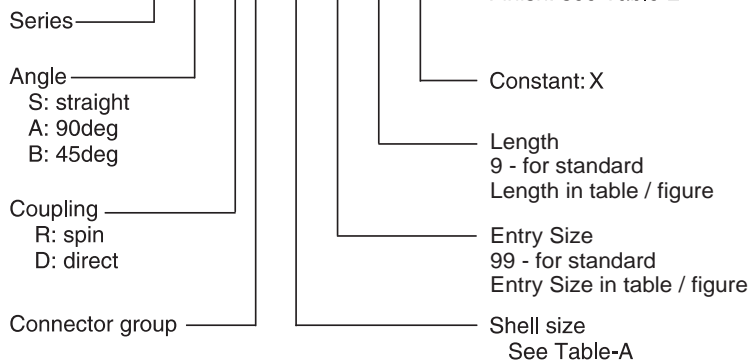
Connector Group - J

Straight, 90°, 45°



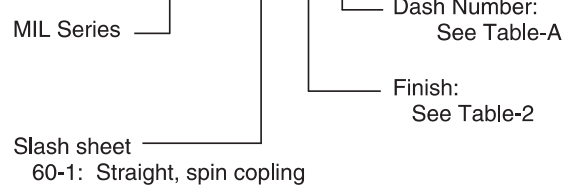
Amphenol Part Number

BB1 X X J 99 99 9 X X



MIL Part Number

M85049 / 99-9 X 9



NOTE: * For more cable entry and length options, contact factory

TABLE - A										
AMPHENOL PART NUMBER DESIGNATOR	MIL PART NUMBER DESIGNATOR	CONNECTOR SHELL SIZE	A DIA. (MAX)		B (MAX)		C DIA. (MIN)		D DIA. (MAX)	
			INCH	MM	INCH	MM	INCH	MM	INCH	MM
08	08	8	0.62	15.67	1.19	30.15	0.25	6.35	0.53	13.54
10	10	10	0.73	18.64	1.19	30.15	0.36	9.02	0.61	15.37
12	12	7/12	0.86	21.79	1.19	30.15	0.49	12.47	0.77	19.66
14	14	12/14	0.98	24.99	1.19	30.15	0.57	14.35	0.84	21.29
16	16	19/16	1.11	28.24	1.19	30.15	0.69	17.53	0.96	24.46
18	18	27/18	1.22	30.94	1.19	30.15	0.77	19.53	1.04	26.47
20	20	37/20	1.35	34.16	1.19	30.15	0.89	22.71	1.22	30.91
22	22	22	1.47	37.29	1.19	30.15	1.02	25.88	1.36	34.42
24	24	24	1.59	40.46	1.19	30.15	1.13	28.80	1.44	36.65
28	28	28	1.97	50.01	1.51	38.38	1.37	34.77	1.71	43.41
32	32	32	2.22	56.36	1.51	38.38	1.62	41.02	1.92	48.74
36	36	36	2.47	62.71	1.51	38.38	1.83	46.48	2.17	55.09
40	40	40	2.72	69.06	1.51	38.38	2.05	51.94	2.40	61.01
44	44	44	2.97	75.41	1.51	38.38	2.30	58.42	2.66	67.49
48	48	48	3.22	81.76	1.51	38.38	2.55	64.77	2.91	73.84

Table Continued

Connector Group - J

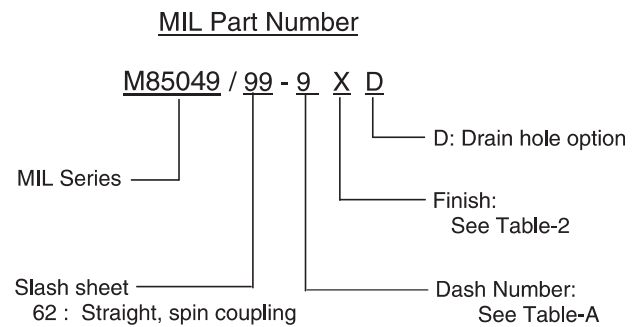
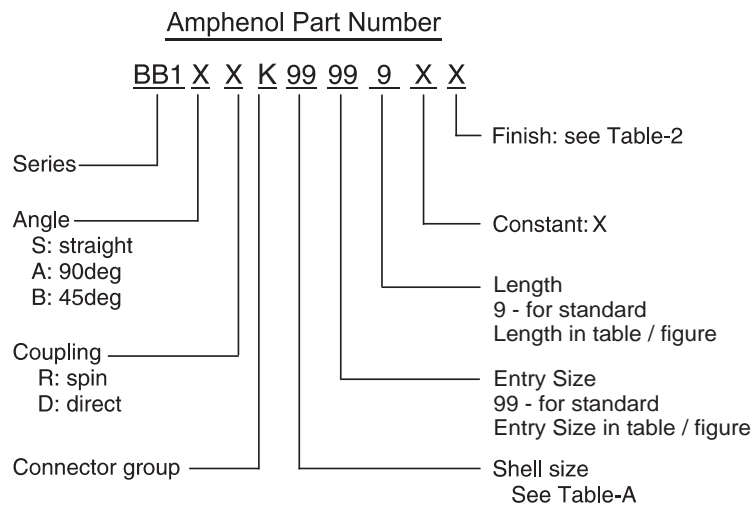
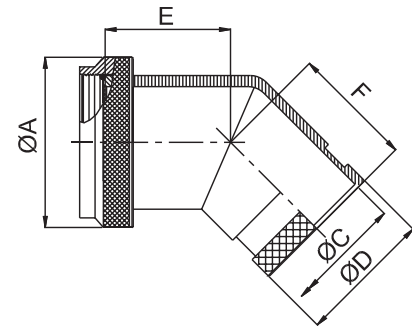
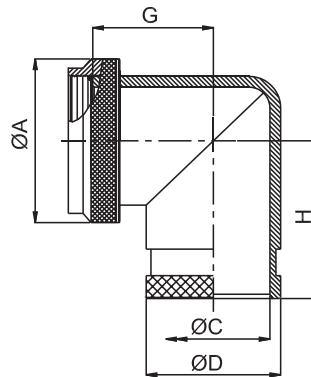
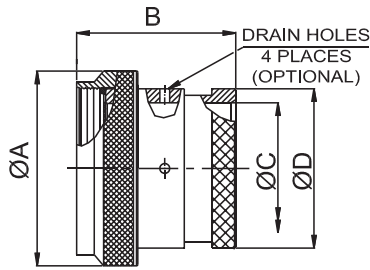
Straight, 90°, 45°

TABLE - A										
AMPHENOL PART NUMBER DESIGNATOR	MIL PART NUMBER DESIGNATOR	CONNECTOR SHELL SIZE	E (MAX)		F (MAX)		G (MAX)		H (MAX)	
			SHELL SIZE	DASH NO	INCH	MM	INCH	MM	INCH	MM
08	08	8	0.64	16.23	0.81	20.57	0.75	19.05	0.92	23.37
10	10	10	0.66	16.87	0.84	21.34	0.81	20.57	0.98	24.89
12	12	7/12	0.69	17.48	0.86	21.84	0.87	22.10	1.04	26.42
14	14	12/14	0.71	17.91	0.89	22.61	0.92	23.37	1.11	28.19
16	16	19/16	0.73	18.59	0.91	23.11	0.98	24.89	1.17	29.72
18	18	27/18	0.75	19.00	0.92	23.37	1.02	25.91	1.19	30.23
20	20	37/20	0.77	19.63	0.94	23.88	1.08	27.43	1.25	31.75
22	22	22	0.80	20.32	0.98	24.89	1.14	28.96	1.33	33.78
24	24	24	0.82	20.90	1.01	25.65	1.20	30.48	1.40	35.56
28	28	28	1.04	26.44	1.18	29.97	1.48	37.59	1.64	41.66
32	32	32	1.09	27.74	1.37	34.80	1.61	40.89	1.88	47.75
36	36	36	-----	-----	-----	-----	-----	-----	-----	-----
40	40	40	-----	-----	-----	-----	-----	-----	-----	-----
44	44	44	-----	-----	-----	-----	-----	-----	-----	-----
48	48	48	-----	-----	-----	-----	-----	-----	-----	-----



Connector Group - K

Straight, 90°, 45°



NOTE: * For more cable entry and length options, contact factory

TABLE - A												
AMPHENOL PART NUMBER DESIGNATOR	MIL PART NUMBER DESIGNATOR	CONNECTOR SHELL SIZE SE - II / I	A DIA. (MAX)		B (MAX)		C DIA. (MIN)		D DIA. (MAX)		E (MAX)	
			INCH	MM	INCH	MM	INCH	MM	INCH	MM	INCH	MM
08	08	8 / 9	0.75	19.05	1.00	25.40	0.25	6.35	0.53	13.54	0.64	16.23
10	10	10 / 11	0.85	21.59	1.00	25.40	0.38	9.53	0.61	15.37	0.66	16.87
12	12	12 / 13	1.00	25.40	1.00	25.40	0.50	12.70	0.77	19.66	0.69	17.48
14	14	14 / 15	1.10	27.94	1.00	25.40	0.63	15.88	0.84	21.29	0.71	17.91
16	16	16 / 17	1.25	31.75	1.00	25.40	0.75	19.05	0.94	23.77	0.73	18.59
18	18	18 / 19	1.40	35.56	1.00	25.40	0.81	20.62	1.04	26.47	0.75	19.00
20	20	20 / 21	1.50	38.10	1.00	25.40	0.94	23.80	1.22	30.91	0.77	19.63
22	22	22 / 23	1.65	41.91	1.00	25.40	1.06	26.97	1.36	34.42	0.80	20.32
24	24	24 / 25	1.75	44.45	1.00	25.40	1.19	30.18	1.44	36.65	0.82	20.90

Table Continued

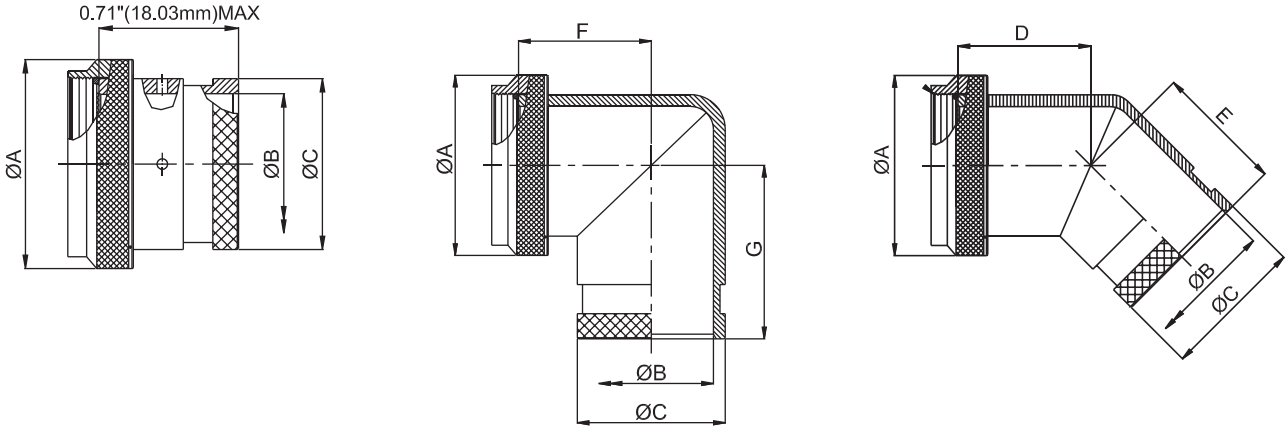


TABLE - A								
AMPHENOL PART NUMBER DESIGNATOR	MIL PART NUMBER DESIGNATOR	CONNECTOR SHELL SIZE SE - II / I	F (MAX)		G (MAX)		H (MAX)	
			INCH	MM	INCH	MM	INCH	MM
SHELL SIZE	DASH NO.							
08	08	8 / 9	0.81	20.57	0.75	19.05	0.92	23.37
10	10	10 / 11	0.84	21.34	0.81	20.57	0.98	24.89
12	12	12 / 13	0.86	21.84	0.87	22.10	1.04	26.42
14	14	14 / 15	0.89	22.61	0.92	23.37	1.11	28.19
16	16	16 / 17	0.91	23.11	0.98	24.89	1.17	29.72
18	18	18 / 19	0.92	23.37	1.02	25.91	1.19	30.23
20	20	20 / 21	0.94	23.88	1.08	27.43	1.25	31.75
22	22	22 / 23	0.98	24.89	1.14	28.96	1.33	33.78
24	24	24 / 25	1.01	25.65	1.20	30.48	1.40	35.56

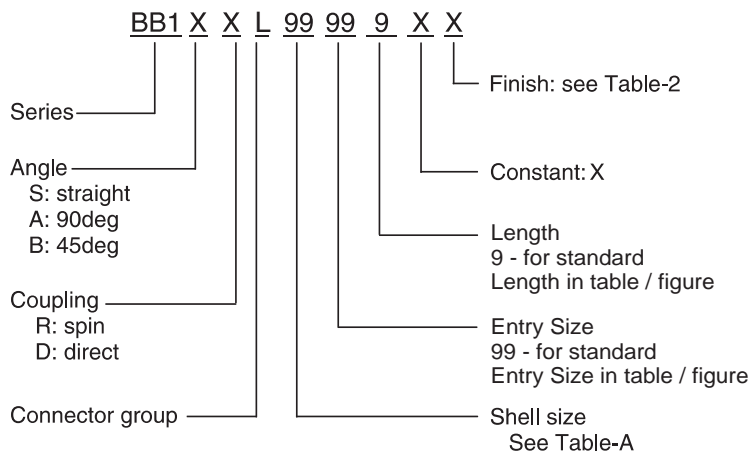


Connector Group - L

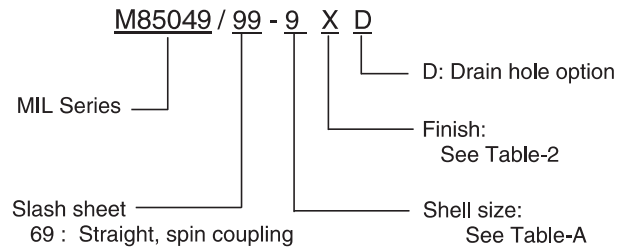
Straight, 90°, 45°



Amphenol Part Number

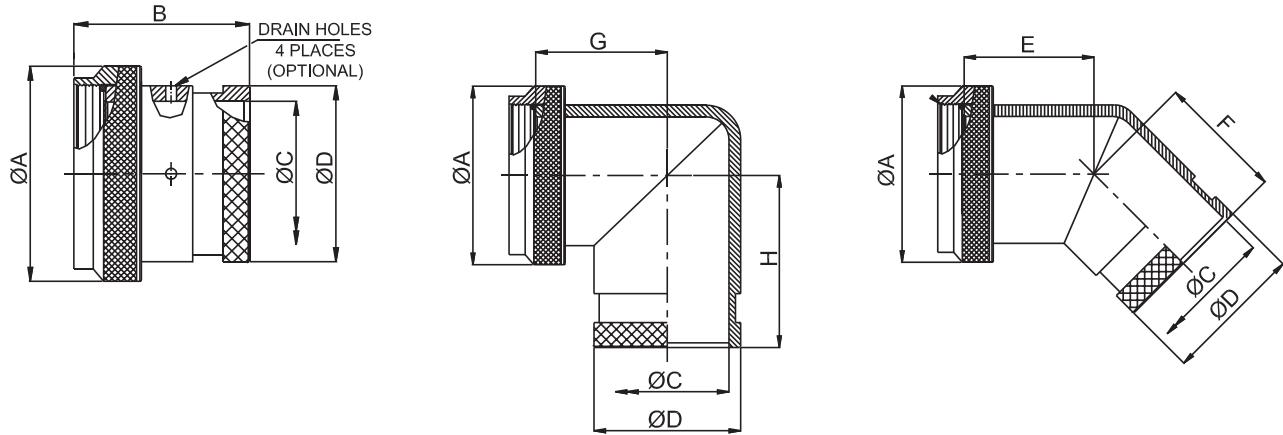


MIL Part Number

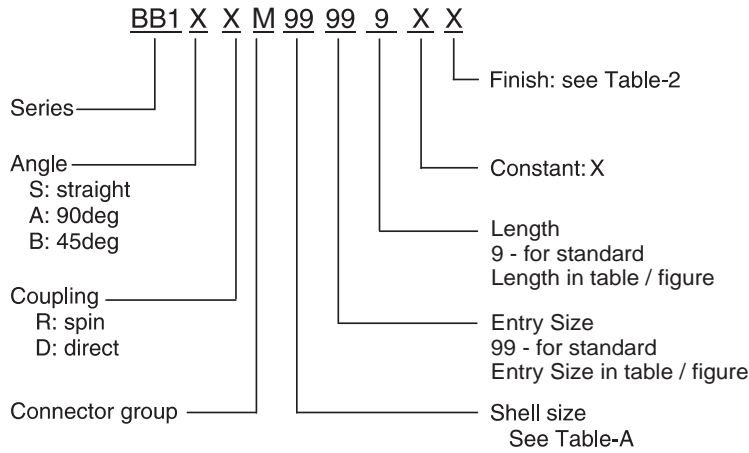


NOTE: * For more cable entry and length options, contact factory

AMPHENOL PART NUMBER DESIGNATOR		MIL PART NUMBER DESIGNATOR		CONNECTOR SHELL SIZE/CODE (REF.)	A DIA. (MAX)		B DIA. (MIN)		C DIA. (MAX)		D (MAX)		E (MAX)		F (MAX)		G (MAX)	
SHELL SIZE	CONNECTOR SHELL SIZE	SHELL SIZE	CONNECTOR SHELL SIZE		INCH	MM	INCH	MM	INCH	MM	INCH	MM	INCH	MM	INCH	MM	INCH	MM
08	09	09	A	0.75	19.05	0.25	6.35	0.53	13.54	0.64	16.23	0.81	20.57	0.75	19.05	0.92	23.37	
10	11	11	B	0.85	21.59	0.38	9.53	0.61	15.37	0.66	16.87	0.84	21.34	0.81	20.57	0.98	24.89	
12	13	13	C	1.00	25.40	0.50	12.70	0.77	19.66	0.69	17.48	0.86	21.84	0.87	22.10	1.04	26.42	
14	15	15	D	1.15	29.21	0.63	15.88	0.84	21.29	0.71	17.91	0.89	22.61	0.92	23.37	1.11	28.19	
16	17	17	E	1.25	31.75	0.75	19.05	0.94	23.77	0.73	18.59	0.91	23.11	0.98	24.89	1.17	29.72	
18	19	19	F	1.40	35.56	0.81	20.62	1.04	26.47	0.75	19.00	0.92	23.37	1.02	25.91	1.19	30.23	
20	21	21	G	1.55	39.37	0.94	23.80	1.22	30.91	0.77	19.63	0.94	23.88	1.08	27.43	1.25	31.75	
22	23	23	H	1.65	41.91	1.06	26.97	1.36	34.42	0.80	20.32	0.98	24.89	1.14	28.96	1.33	33.78	
24	25	25	J	1.85	46.99	1.19	30.18	1.44	36.65	0.82	20.90	1.01	25.65	1.20	30.48	1.40	35.56	



Amphenol Part Number



NOTE: * For more cable entry and length options, contact factory

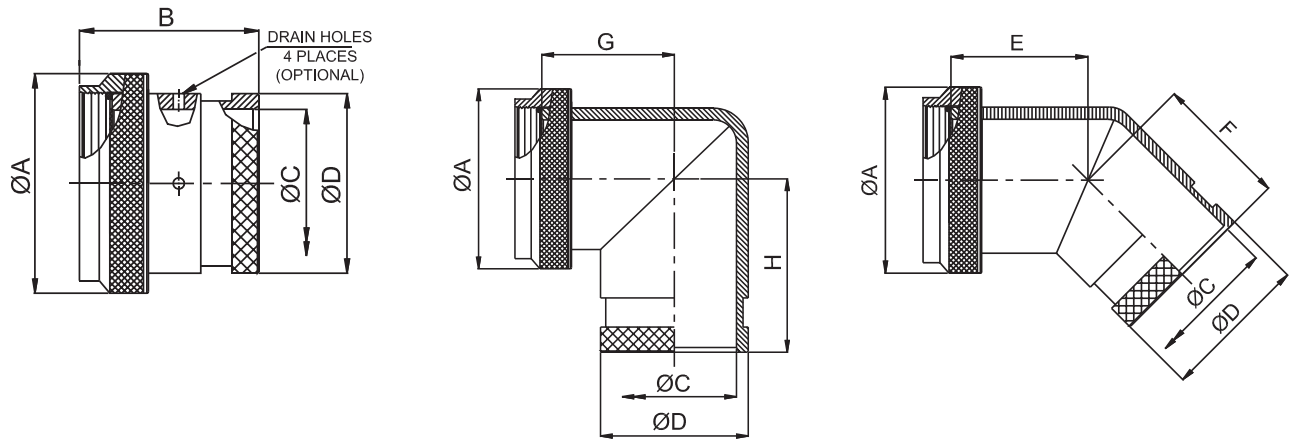
TABLE - A

AMPHENOL PART NUMBER DESIGNATOR	CONNECTOR SHELL SIZE	A DIA. (MAX)		B (MAX)		C DIA. (MIN)		D DIA. (MAX)		E (MAX)		F (MAX)		G (MAX)		H (MAX)	
		INCH	MM	INCH	MM	INCH	MM	INCH	MM	INCH	MM	INCH	MM	INCH	MM	INCH	MM
08	8	0.75	19.05	1.00	25.40	0.25	6.35	0.53	13.54	0.64	16.23	0.81	20.57	0.75	19.05	0.92	23.37
10	10	0.85	21.59	1.00	25.40	0.38	9.53	0.61	15.37	0.66	16.87	0.84	21.34	0.81	20.57	0.98	24.89
12	12	1.00	25.40	1.00	25.40	0.50	12.70	0.77	19.66	0.69	17.48	0.86	21.84	0.87	22.10	1.04	26.42
14	14	1.10	27.94	1.00	25.40	0.63	15.88	0.84	21.29	0.71	17.91	0.89	22.61	0.92	23.37	1.11	28.19
16	16	1.25	31.75	1.00	25.40	0.75	19.05	0.94	23.77	0.73	18.59	0.91	23.11	0.98	24.89	1.17	29.72
18	18	1.40	35.56	1.00	25.40	0.81	20.62	1.04	26.47	0.75	19.00	0.92	23.37	1.02	25.91	1.19	30.23
20	20	1.50	38.10	1.00	25.40	0.94	23.80	1.22	30.91	0.77	19.63	0.94	23.88	1.08	27.43	1.25	31.75
22	22	1.65	41.91	1.00	25.40	1.06	26.97	1.36	34.42	0.80	20.32	0.98	24.89	1.14	28.96	1.33	33.78
24	24	1.75	44.45	1.00	25.40	1.19	30.18	1.44	36.65	0.82	20.90	1.01	25.65	1.20	30.48	1.40	35.56

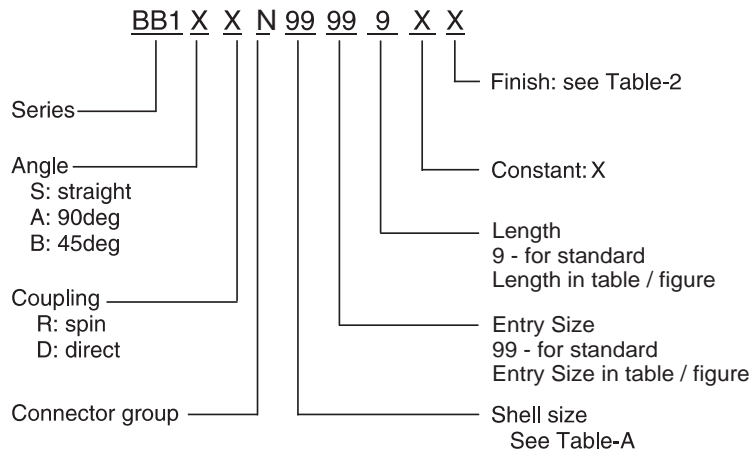


Connector Group - N

Straight, 90°, 45°



Amphenol Part Number



NOTE: * For more cable entry and length options, contact factory

TABLE - A

AMPHENOL PART NUMBER DESIGNATOR	CONNECTOR SHELL SIZE	A DIA. (MAX)		B (MAX)		C DIA. (MIN)		D DIA. (MAX)		E (MAX)		F (MAX)		G (MAX)		H (MAX)	
		INCH	MM	INCH	MM	INCH	MM	INCH	MM	INCH	MM	INCH	MM	INCH	MM	INCH	MM
08	8	0.75	19.05	1.00	25.40	0.25	6.35	0.53	13.54	0.64	16.23	0.81	20.57	0.75	19.05	0.92	23.37
10	10	0.85	21.59	1.00	25.40	0.38	9.53	0.61	15.37	0.66	16.87	0.84	21.34	0.81	20.57	0.98	24.89
12	12	1.00	25.40	1.00	25.40	0.50	12.70	0.77	19.66	0.69	17.48	0.86	21.84	0.87	22.10	1.04	26.42
14	14	1.10	27.94	1.00	25.40	0.63	15.88	0.84	21.29	0.71	17.91	0.89	22.61	0.92	23.37	1.11	28.19
16	16	1.25	31.75	1.00	25.40	0.75	19.05	0.94	23.77	0.73	18.59	0.91	23.11	0.98	24.89	1.17	29.72
18	18	1.40	35.56	1.00	25.40	0.81	20.62	1.04	26.47	0.75	19.00	0.92	23.37	1.02	25.91	1.19	30.23
20	20	1.50	38.10	1.00	25.40	0.94	23.80	1.22	30.91	0.77	19.63	0.94	23.88	1.08	27.43	1.25	31.75
22	22	1.65	41.91	1.00	25.40	1.06	26.97	1.36	34.42	0.80	20.32	0.98	24.89	1.14	28.96	1.33	33.78
24	24	1.75	44.45	1.00	25.40	1.19	30.18	1.44	36.65	0.82	20.90	1.01	25.65	1.20	30.48	1.40	35.56