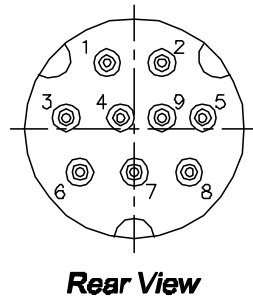
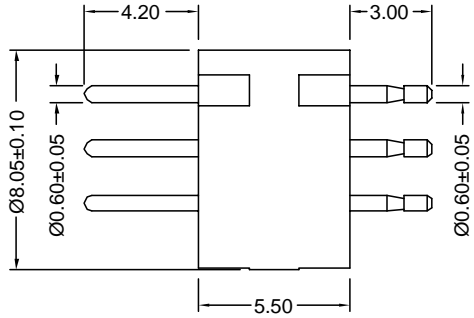


Pin Block



Rear View

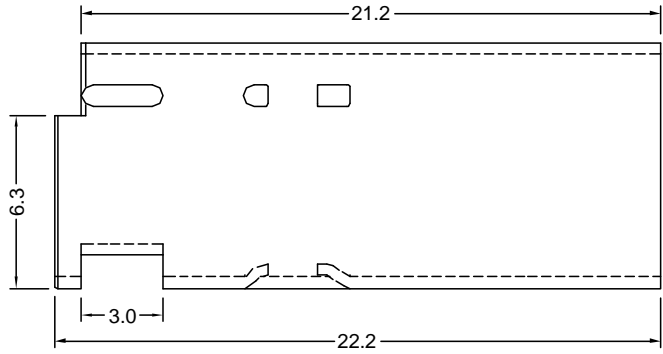
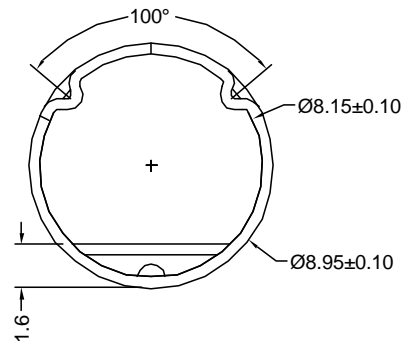
Materials and Finish

Insulator: PBT thermoplastic, UL94V-0 rated, black color
 Contact Material: bronze, gold flash plated
 Metal Sleeve: brass, 0.40 thick, nickel plated

Electrical Characteristics

Insulation Resistance: 50 Megohms min. at 250V DC
 Dielectric Withstanding Voltage: 250V AC rms, 60Hz for 1 minute
 Contact Resistance: 30 milliohms max.
 Current Rating: 12V DC at 2A max. 100V AC at 1A max.
 Operating Temperature: -40°C to +85°C

Metal Sleeve



Tolerances	
X.X ± 0.25	
X.XX ± 0.15	
Unless Stated	
Otherwise	



REV.	DATE	DESCRIPTION	REV. BY	CHK. BY	DRAWN BY	DATE
A0	3/10/03	New Drawing	C. Leiva	T. Gokcek	C. Leiva	3/10/03
A1	3/28/03	Release Drawing	T. Gokcek	C. Leiva		
A2	11/4/04	ECO #04-262	C. Leiva	C. Furumatsu		
A3	12/20/04	ECO #04-071	R. Aguirre	H. MA		

KMDM-GEO-9P

Mini-DIN Plug Kit

9 pos. GeoPort type, gold flash plating

