

KMDG Series Stacked Mini-DIN Gold Plated

Features



- Audio, Video, Computer and Digital Equipment Applications
- Mates with Standard and Snap and Lock Plugs
- Space Saving Stacked Design
- Shielded Options Available for Good Conductivity, Grounding and EMI/RFI Protection
- Visual and Mechanical Polarization for Plug Insertion
- Gold Plated Contacts
- Reflow Compatible Design Available
- CSA/NRTL Certified File No. LR78160

Performance Specifications

Body and Base

KMDG - PBT Thermoplastic, Black Color, UL94V-0 Rated
KMDGHT - High Temperature Thermoplastic, Black Color, UL94V-0 Rated

Contacts

Phosphor Bronze, Gold Plated

Shield

Standard: Brass, Nickel Plated
HT: Brass, Nickel Plated

Mechanical Characteristics

Insertion Force

4.5 kg max.

Extraction Force

0.4 kg - 3.5 kg

Durability

500 Cycles Minimum with Test Plug

MINI-DINs / CIRCULAR DINs

*KMDG-*S / *S Series*

Electrical Characteristics

Contact Current Rating

1 Amp at 12V DC

Insulation Resistance

500 Megohms Min

Contact Resistance

Before Durability Test

Plug to Terminals: 30 Milliohms Max.

After Durability Test

Plug to Terminals: 60 Milliohms Max

Dielectric Withstanding Voltage

500V AC for 1 Minute

Operating Temperature

-25°C to +85°C

Ordering Information

KMDG	-	6S/6S	-	S4N	
Series		Configuration		Shield Options	Plating Options
Series					
KMDG - Kycon Right Angle PCB Mount Mini-DIN					
KMDGHT - Reflow Compatible Version*					
Configuration					
4S/4S - 4 Contacts over 4 Contacts					
6S/6S - 6 Contacts over 6 Contacts					
4S/6S - 4 Contacts over 6 Contacts					
4S/8S - 4 Contacts over 8 Contacts**					
6S/8S - 6 Contacts over 8 Contacts**					
8S/8S - 8 Contacts over 8 Contacts**					
Shield Options					
S4N - Fully Shielded					
S4N1 - Fully Shielded with Mounting Hole					
S4N2 - Fully Shielded with Shifted Ground Pin and Mounting Hole					

Plating Option

Standard	Gold flash over nickel on contacts. Tin/lead over nickel on soldertails.
30	30µ" gold over nickel on mating end of contacts. Tin/lead over nickel on soldertails.*

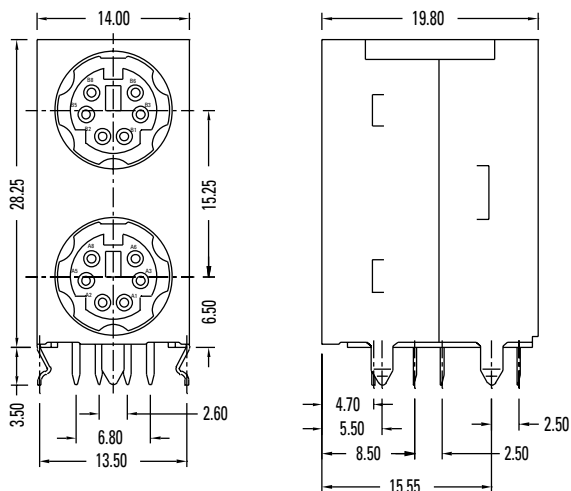
* Minimum Quantities May Apply

** Contact Factory for Specifications

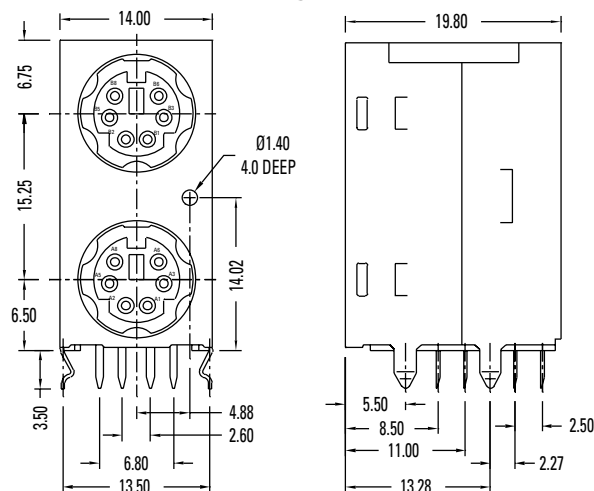
KMDG-*S/*S Series Dimensions

Dimensions in mm

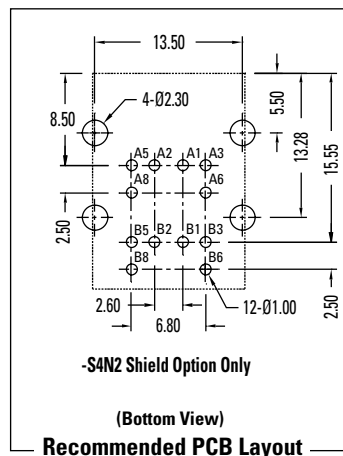
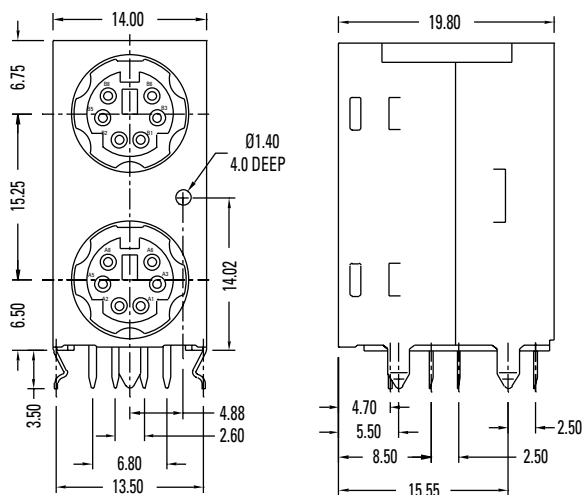
-S4N Shield Option (standard)



**-S4N2 Shield Option
(with shifted tabs and mounting hole)**



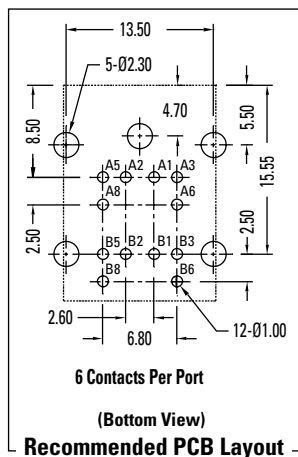
-S4N1 Shield Option (with mounting hole)



-S4N2 Shield Option Only

(Bottom View)

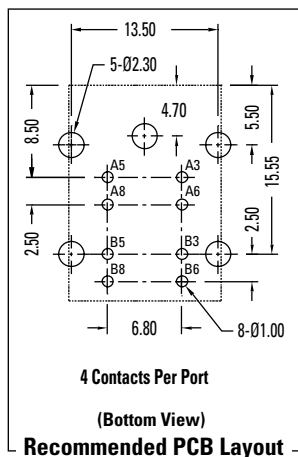
Recommended PCB Layout



6 Contacts Per Port

(Bottom View)

Recommended PCB Layout



4 Contacts Per Port

(Bottom View)

Recommended PCB Layout