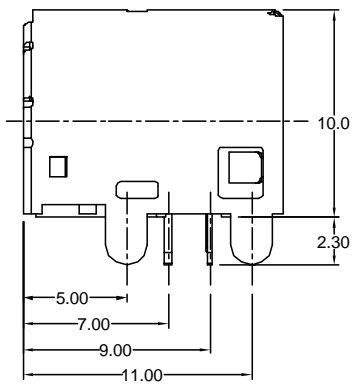
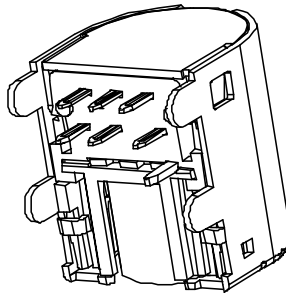
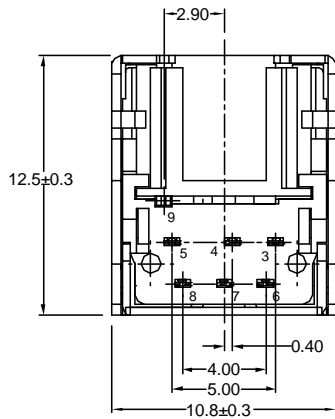
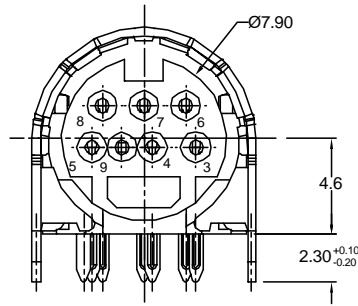
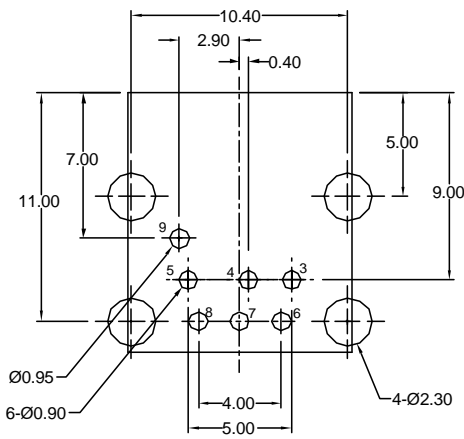


KYCON, Inc. 1810 Little Orchard Street, San Jose, CA 95125 (408)494-0330



Recommended PCB Layout
<Bottom View>



Material and Finish

Body: PBT Thermoplastic,
UL94V-0 Rated

Color: Black

Contacts: Phosphor Bronze
Gold Flash on Contacts,
Tin on Termination

Shield: SPCC, Tin Plated

Electrical Characteristics

Contact Resistance:
Before Durability Test:
Plug to Shield: 50 Milliohms Max.
Plug to Contacts: 30 Milliohms Max.
After Durability Test:
Plug to Shield: 100 Milliohms Max.
Plug to Contacts: 60 Milliohms Max.

Insulation Resistance:
50 Megohms Min.

Dielectric Withstanding Voltage:
500V AC RMS For 1 Minute

Current Rating:
2 Amps at 12V DC

Mechanical Characteristics

Durability: 500 Cycles Min.
Insertion Force: 0.4kg ~ 4.5kg
Extraction Force: 0.4kg ~ 4.5kg
Operating Temperature: -25°C to +85°C

RoHS COMPLIANT
EU Directive 2002/95/EC

PRELIMINARY
PART IN DESIGN
SPECIFICATION SUBJECT TO CHANGE

Tolerances	
X.X ± 0.25	
X.XX ± 0.15	
Unless Stated	
Otherwise	

REV.	DATE	DESCRIPTION	REV. BY	CHK. BY	DRAWN BY	DATE
A0	10/4/05	New Drawing	H. MA	C. Furumasa	H. MA	10/4/05

KMDRX-GEO-7S-BS

Mini-DIN, 7 Pos, GEO Type, RoHS Compliant
Right Angle, Fully Shielded, Rounded

