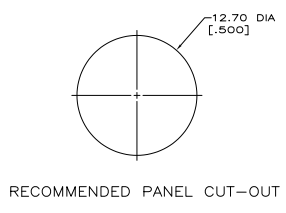
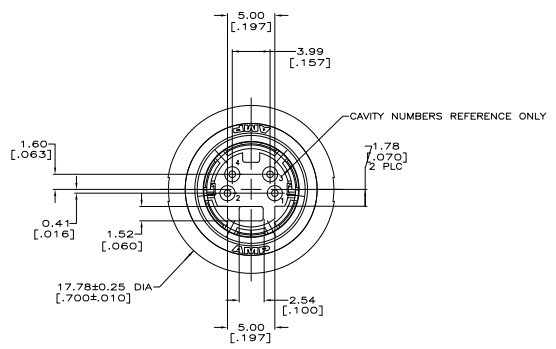
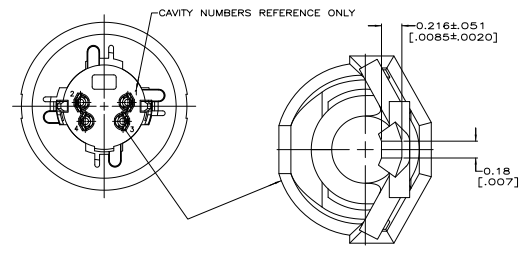
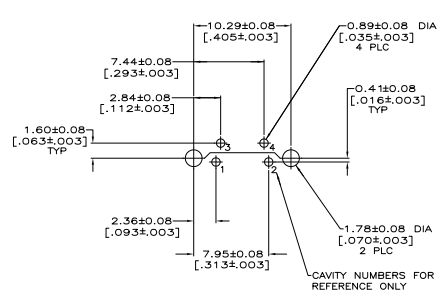
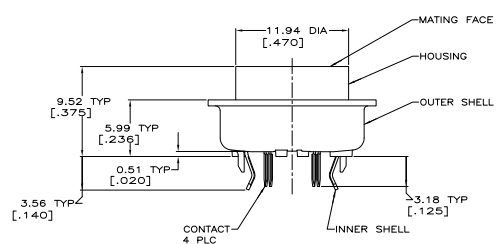


MOD		REV		REVISIONS				DATE	APPD
NO	BY	NO	BY	ZONE	LTR	DESCRIPTION	DATE	APPD	
18	BD	39			A	REVISED PER ECN BD4681			
					M	REVISED PER ECO-09-023313			



- ⚠ SHELLS: BRASS; CONTACTS: PHOSPHOR BRONZE; HOUSING: POLYESTER, UL 94V-0 RATED, BLACK.
- ⚠ 0.76 μm [0.00030] MIN GOLD ON MATING END FOR A LENGTH OF 1.37[0.054] MIN ON INSIDE, 2.54 μm [0.00100] MIN TIN-LEAD FOR A LENGTH OF 3.30[1.30] MIN FROM OPPOSITE END, ALL OVER 1.27 μm [0.00050] MIN NICKEL.
- ⚠ 0.38 μm [0.00015] MIN GOLD ON MATING END FOR A LENGTH OF 1.37[0.054] MIN ON INSIDE, 2.54 μm [0.00100] MIN TIN-LEAD FOR A LENGTH OF 3.30[1.30] MIN FROM OPPOSITE END, ALL OVER 1.27 μm [0.00050] MIN NICKEL.
- ⚠ 2.54 μm [0.00100] MIN TIN-LEAD OVER 1.27 μm [0.00050] MIN NICKEL.
- ⚠ GOLD PLATING PER QQ-N-290, COPPER PLATING PER MIL-C-14550.
- 6. RECEPTACLE ASSEMBLY MATES WITH 4 PIN, 8.99±0.10[.354±.004] DIAMETER PLUG.
- ⚠ 3.81 μm [0.00150] MIN TIN-LEAD OVER 2.54 μm [0.00100] MIN COPPER.
- ⚠ OBSOLETE PARTS: OBSOLETE CIS STREAMLINING PER D.RENAUD/D.SINISI



RECOMMENDED PC BOARD LAYOUT
 BOTTOM VIEW

4 PLC
 SCALE 50:1

⚠ OBSOLETE 750317-2
 750317-1

DO NOT SCALE PRINT. UNLESS SPECIFIED DIMENSIONS IN mm [INCHES]		DR 8-6-90 R. SHREY		CONTACT FINISH		PART NO	
TOLERANCES ON	FINISH	CHK 9-5-90 R. STONE	AMP	AMP Incorporated	Harrisburg, PA 17105-3608		
2 PLG DEC ± 0.13[0.005]	MATERIAL	APPD 9-5-90 R. SHREY	NAME				
ANGLES ±	INNER SHELL	APPD 9-10-90 J. FALPONI	RECEPTACLE ASSEMBLY, 4 POSN, LOW FLANGE, SHIELDED, VERTICAL, MINIATURE CIRCULAR DIN				
OUTER SHELL	CONTACTS SEE TABLE	PRODUCT SPEC	APPLICATION SPEC	SIZE	DAGE CODE	DRAWING NO	
				D	00779	750317	
			WEIGHT	SCALE	5:1	SHEET	1 OF 1

CUSTOMER DRAWING