

4

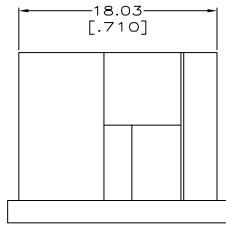
3

2

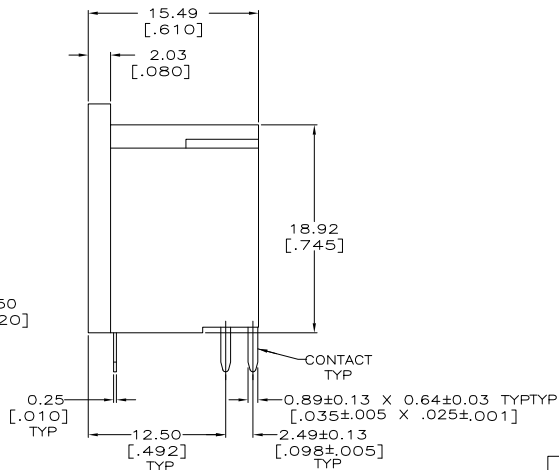
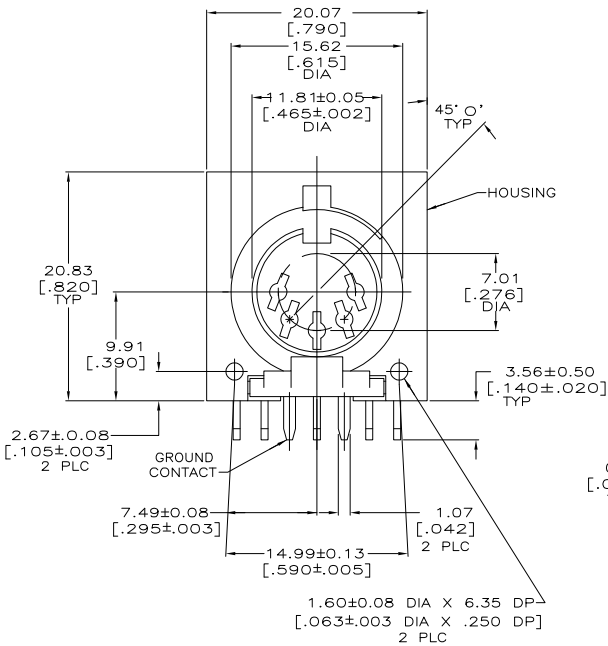
1

THIS DRAWING IS UNPUBLISHED. RELEASED FOR PUBLICATION
 BY TYCO ELECTRONICS CORPORATION. ALL RIGHTS RESERVED.

LOC	DIST	REVISIONS		
F	LTR	DESCRIPTION	DATE	BY
BD	39	H2	REVISED PER ECO-07-008008	10APR07
				JDC/WR



- △ HOUSING: NYLON, FLAME RETARDANT, UL 94V-0 RATED, GLASS FILLED, BLACK.
- △ CONTACTS: 2.54 μm [0.000100] MIN TIN-LEAD OVER 1.27 μm [0.000050] MIN NICKEL.
- △ TIN PLATING PER MIL-T-10727, NICKEL PLATING PER QQ-N-290.
- 4. MATES WITH 5 POSITION SHIELDED DIN PLUG, P/N 212437-3.
- 5. MATING FACE CONFORMS TO DIN SPECIFICATION 41524.
- △ CONTACTS & GROUND CONTACTS: BRASS



	TUBE	211450-2
OBSOLETE	GANG OF TUBES	211450-1
	PACKAGING TYPE	PART NO

THIS DRAWING IS A CONTROLLED DOCUMENT.		DRN: W.G. LENKER 06/08/92	Tyco Electronics Corporation Harrisburg, PA 17105-3608	
DIMENSIONS: mm [INCHES]		CHK: S. STONE 8-11-89	RECEPTACLE ASSEMBLY, 5 POSN. RIGHT ANGLE, CIRCULAR DIN	
TOLERANCES UNLESS OTHERWISE SPECIFIED:		APP: -	RESTRICTED TO	
Ø P.L.C.	± .005	PRODUCT SPEC: 108-10047	SIZE: A2	CAGE CODE: 00779
Ø P.L.C.	± .005	APPLICATION SPEC: 114-40025	DRAWING NO: C=211450	
Ø P.L.C.	± .025 (0.10)	WEIGHT: -	SCALE: 4:1	
Ø P.L.C.	± .005	MATERIAL: △△△	SHEET: 1 of 1	
ANGLES	± .005	FINISH: △△△	REV: H2	
CUSTOMER DRAWING				

AMP 1471-9 REV 31MMR2000

211450

A