

4

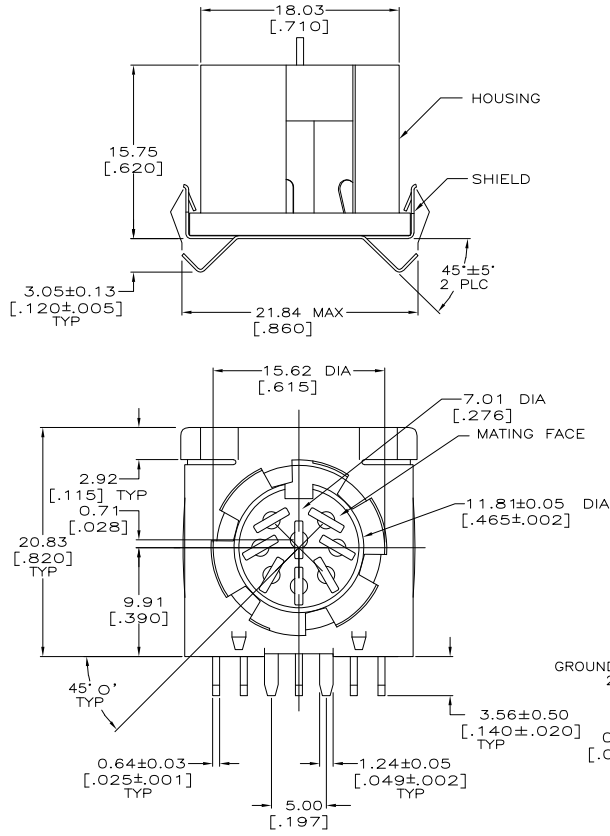
3

2

1

THIS DRAWING IS UNPUBLISHED. RELEASED FOR PUBLICATION
 © COPYRIGHT BY TYCO ELECTRONICS CORPORATION. ALL RIGHTS RESERVED.

LOC		DIBT		REVISIONS		
GP	00	F	L/R	DESCRIPTION	DATE	BY
		A1		REVISED PER ECO-07-008008	10APR07	JDP/CWR



- △ HOUSING: NYLON, UL 94V-0 RATED, BLACK.
- △ CONTACTS:
 2.54µm [.000100] MIN TIN-LEAD OVER 1.27µm [.000050] MIN NICKEL.
 2.54µm [.000100] MIN TIN OVER 1.27µm [.000050] MIN NICKEL.

787013-1
 PART NUMBER

THIS DRAWING IS A CONTROLLED DOCUMENT.		DRN CHAD BAKER 08/17/93	Tyco Electronics Corporation Harrisburg, PA 17105-3608
		CHK R. STONE 08/18/93	
DIMENSIONS: mm [INCHES]		APPC -	NAME
TOLERANCES UNLESS OTHERWISE SPECIFIED:		PRODUCT SPEC -	108-10047
0 PLC ± .	1 PLC ± .	APPLICATION SPEC -	114-40025
2 PLC ± 0.13 (.005)	3 PLC ± .	WEIGHT -	A2 00779 ©=787013
4 PLC ± .	ANGLES -	RESTRICTED TO	
MATERIAL △		CUSTOMER DRAWING	
FINISH △		SCALE 4:1	SHEET 1 of 1 REV A1

AMP 1471-9 REV 31MMR2000

787013

A