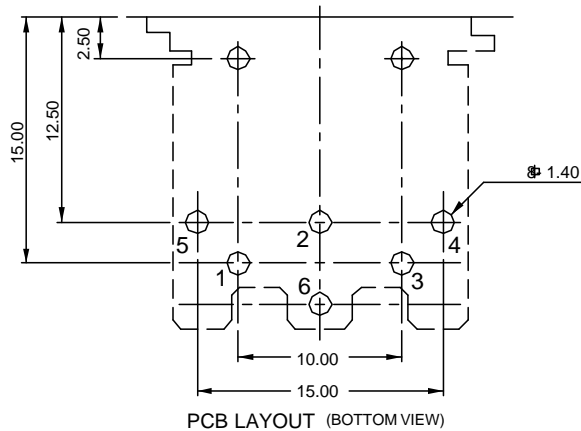
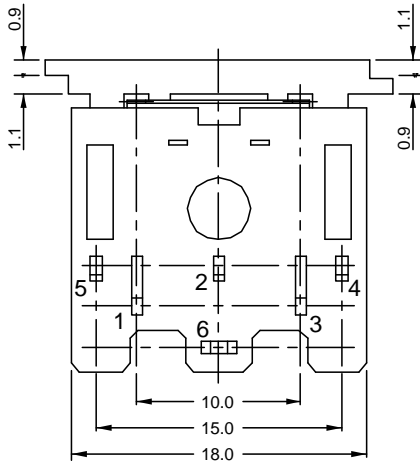
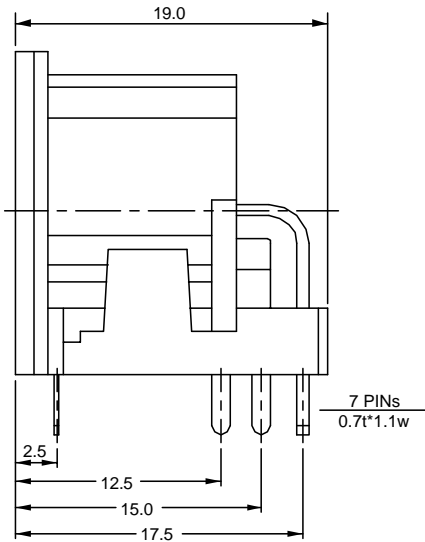
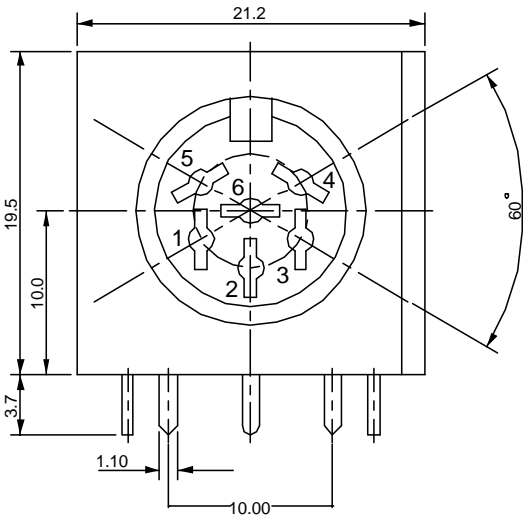


KYCON, Inc. 1810 Little Orchard Street, San Jose, CA 95125 (408)494-0330



Materials and Finish

Material-PBT Thermoplastic
 UL94V-0 Rated
 Color: black
 Contact-Brass, Tin Plated

Mechanical Characteristics

Insertion Force
 0.5kg - 4.5kg

Withdrawal Force
 0.5kg - 4.5kg

Durability
 5000 cycles

Electrical Characteristics

Rated Current: 2.0 AMP DC

Rated Voltage: 24.0 V DC

Insulation Resistance
 100 Megohms min. at 500V DC

Contact Resistance
 Before Test : 50 Milliohms max.
 After Test: 100 Milliohms max.

Dielectric Withstanding Voltage
 500V AC for 1 minute

Operating Temperature
 -25°C to 85°C



Tolerances	
X.X ± 0.25	
X.XX ± 0.15	
Unless Stated	
Otherwise	

REV.	DATE	DESCRIPTION	REV. BY	CHK. BY	DRAWN BY	DATE
A1	8/8/05	New Drawing	R. Aguirre	H. MA	R. Aguirre	07/18/05

KCDX-6S-N

Circular DIN, 6 position, RoHS Compliant.
 Non-shielded, 10mm spacing

