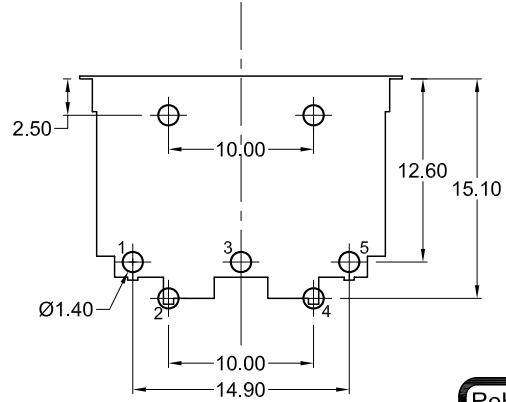
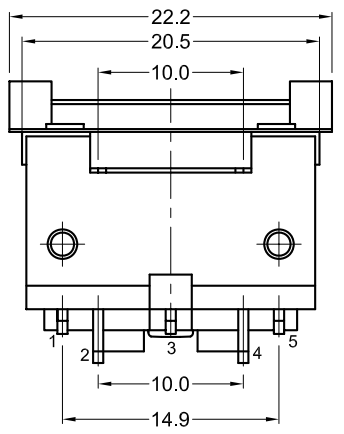
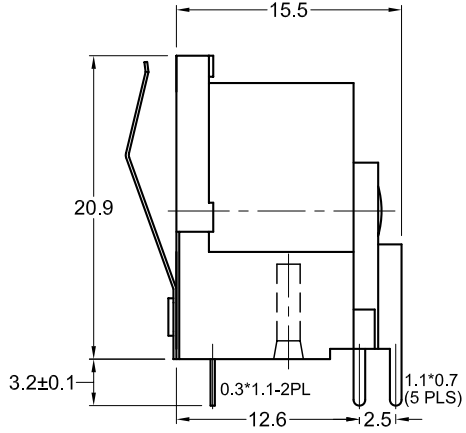
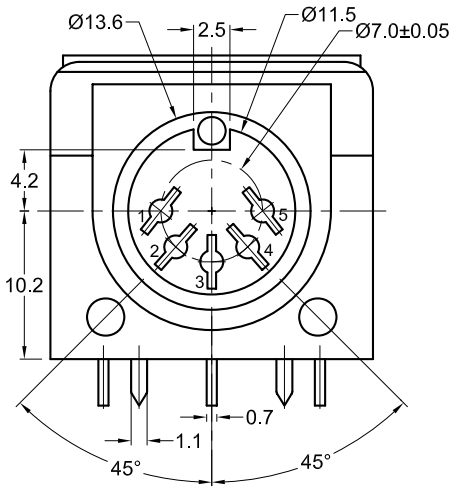


KYCON, Inc. 1810 Little Orchard Street, San Jose, CA 95125 (408)494-0330



Recommended PCB Layout (bottom view)

**Materials and Finish**

Body:  
PBT Thermoplastic UL94V-0 rated,  
black color

Contact:  
Brass, Tin Plated

Shield:  
Phosphor Bronze, Nickel plated.

**Mechanical Characteristics**

Insertion Force  
4Kg Max.

Withdrawal Force  
1kg - 3.5kg

Durability  
5000 cycles

**Electrical Characteristics**

Rated Current:  
AC: 100V 2A  
DC: 24V 1A

Rated Voltage: 24V DC

Insulation Resistance  
100 Megohms min. at 500V DC

Contact Resistance  
20 Milliohms

Dielectric Withstanding Voltage  
500V AC for 1 minute

Operating Temperature  
-25°C to 100°C

**RoHS COMPLIANT**  
EU Directive 2002/95/EC

Tolerances  
X.X ± 0.25  
X.XX ± 0.15  
Unless Stated  
Otherwise

LR78160

REV.	DATE	DESCRIPTION	REV. BY	CHK. BY	DRAWN BY	DATE
A1	8/5/05	New Drawing	N.Chang	H. MA	N.Chang	5/03/05

**KCDX-5S-S-PS**

5 pos. Circular Din. RoHS Compliant  
w/front spring shield, 10mm spacing

