

### INTRODUCTION:

Adam Tech DNR Series DIN 41612 connectors are a versatile two piece PCB connector set with features useful for many applications including connections between plug-in card and back-panel wiring, PCB to PCB attachment and peripheral connections for external interfaces. Features include a multitude of body sizes and styles with options that include selective contact loading, make and break contacts, contact lead length choices, and contact plating variations each in .100" [2.54] or .200" [5.08] centerline spacing.

### FEATURES:

Industry Standard Compatible  
Multiple Body Sizes  
Contact Plating Options  
Make and Break contacts  
.100" or .200" Centerlines

### MATING OPTIONS:

Adam Tech DNR series and All industry standard DIN 41612 Connectors.

### SPECIFICATIONS:

#### Material:

Standard insulator: PBT, glass filled, rated UL94V-0  
Optional Hi-Temp insulator: Nylon 6T, rated UL94V-0  
Insulator Color: Beige  
Contacts: Brass or Phosphor Bronze

#### Plating:

Class I: 30u" Gold over nickel underplate on contact area  
Class II: 15u" gold over nickel underplate on contact area  
Class III: Gold Flash over nickel underplate on contact area  
Tin over copper underplate on tails

#### Electrical:

Operating voltage: 500V AC max.  
Current rating: 2 Amps max  
Contact resistance: 30 mΩ max. initial  
Insulation resistance: 1000 MΩ min.  
Dielectric withstanding voltage: 1000V AC for 1 minute

### Mechanical:

Insertion force: 20 lbs / contact max.  
Withdrawal force: 0.033 lbs / contact min  
Mating durability: Class I: 500 cycles  
Class II: 250 cycles  
Class III: 100 cycles

### Temperature Rating:

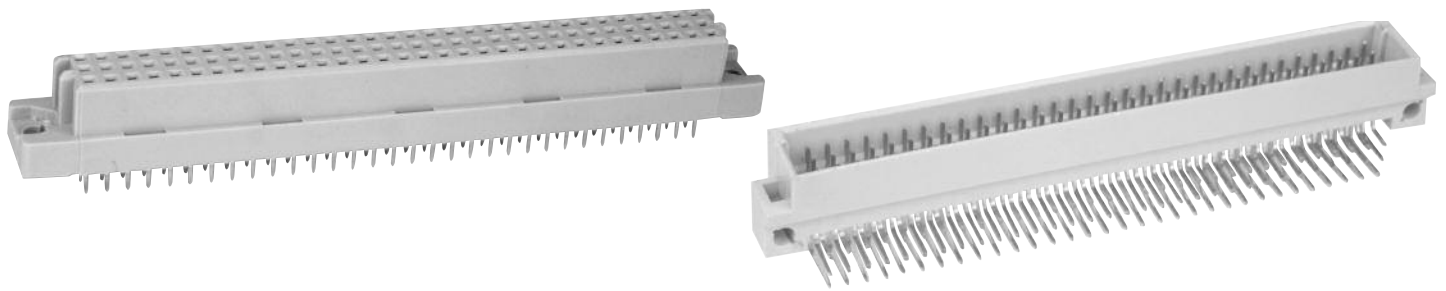
Operating temperature: -55°C to +125°C  
Soldering process temperature:  
Standard insulator: 235°C  
Hi-Temp insulator: 260°C

### PACKAGING:

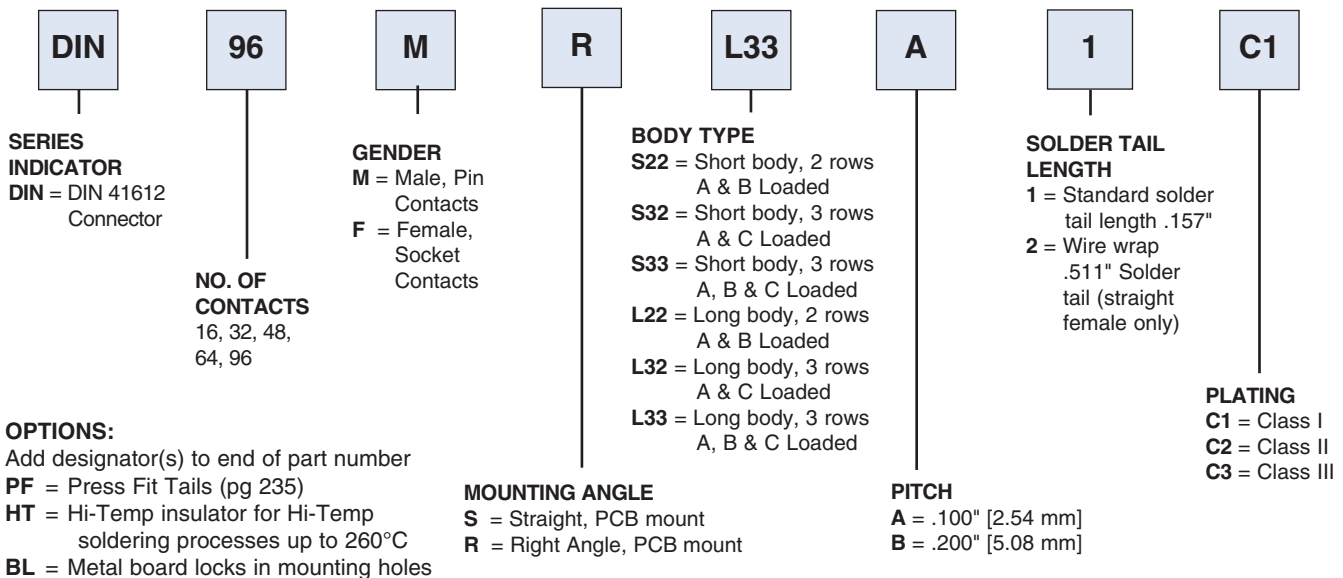
Anti-ESD plastic trays or tubes

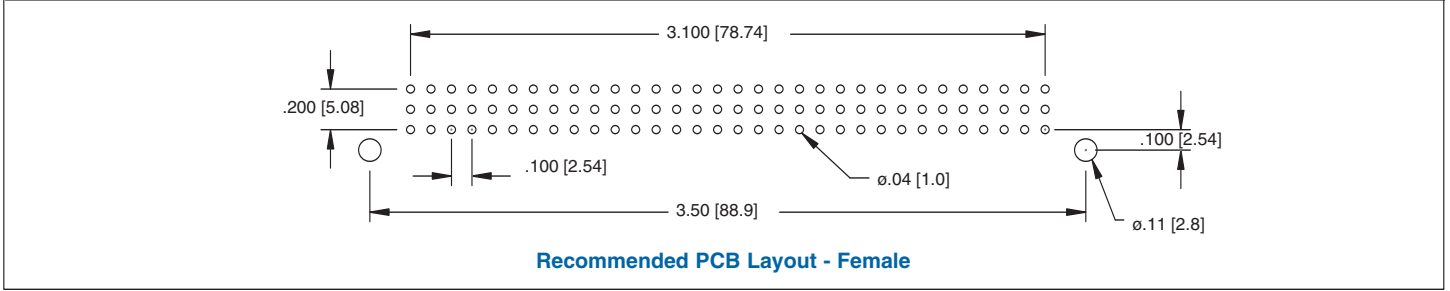
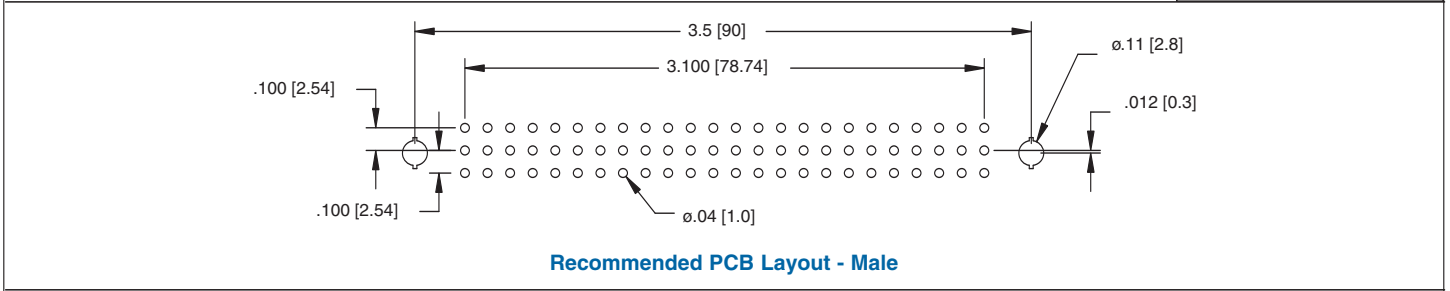
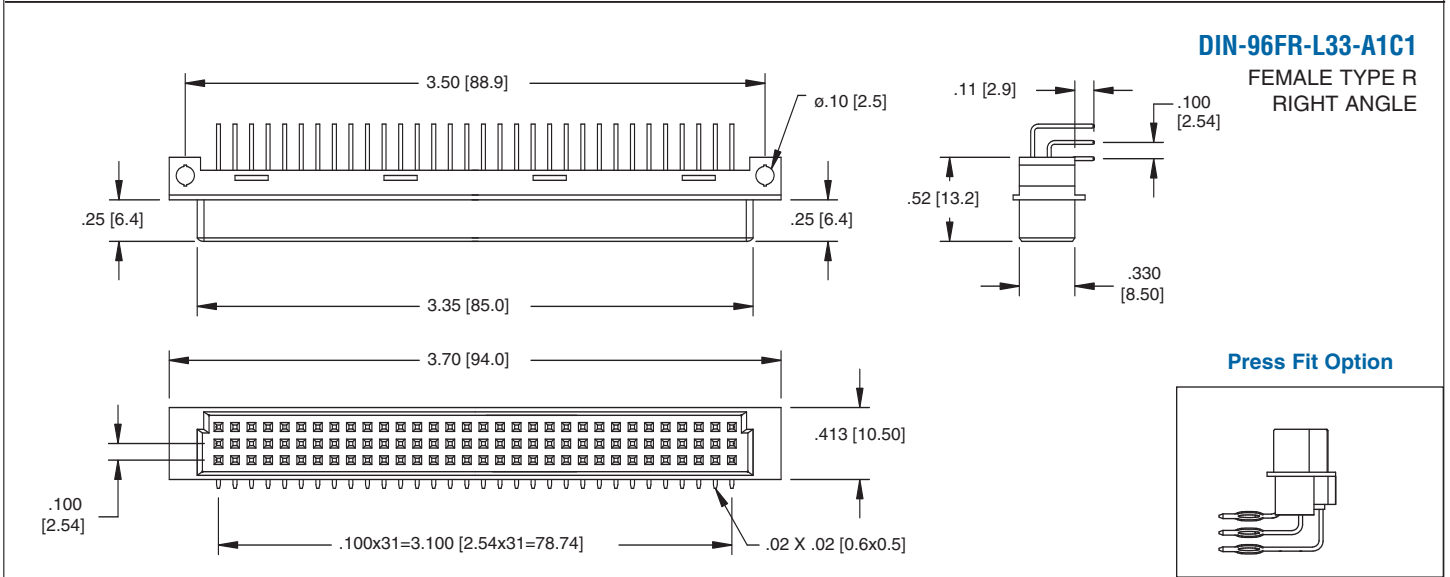
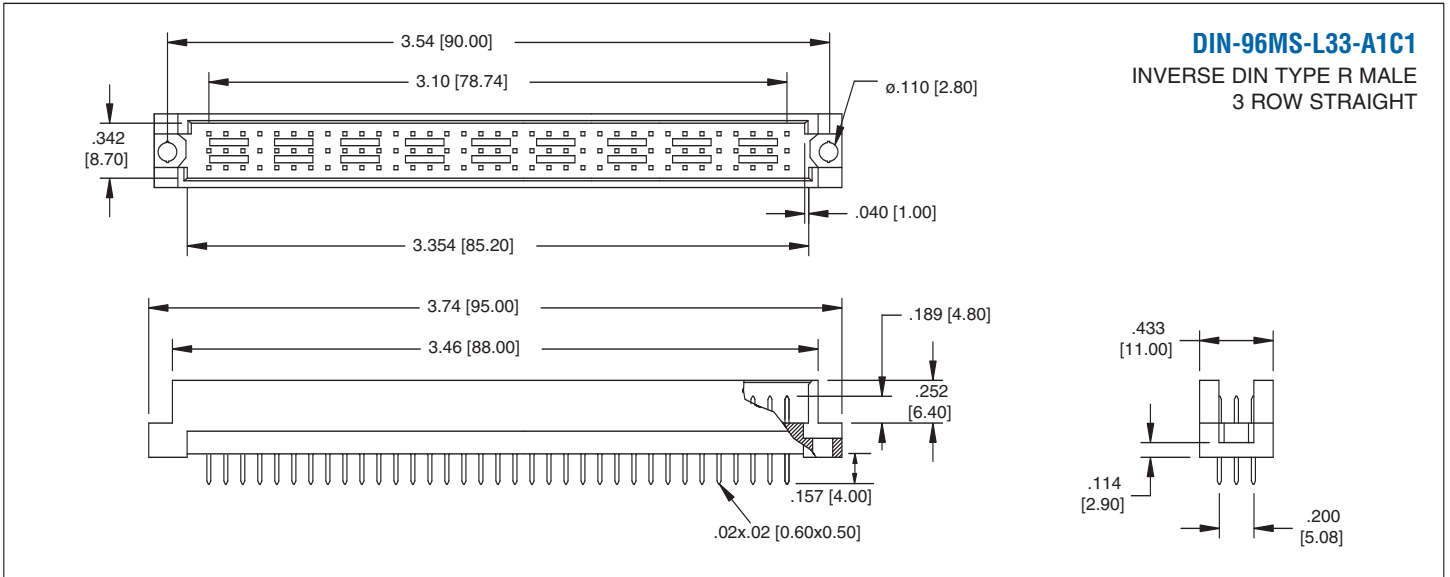
### APPROVALS AND CERTIFICATIONS:

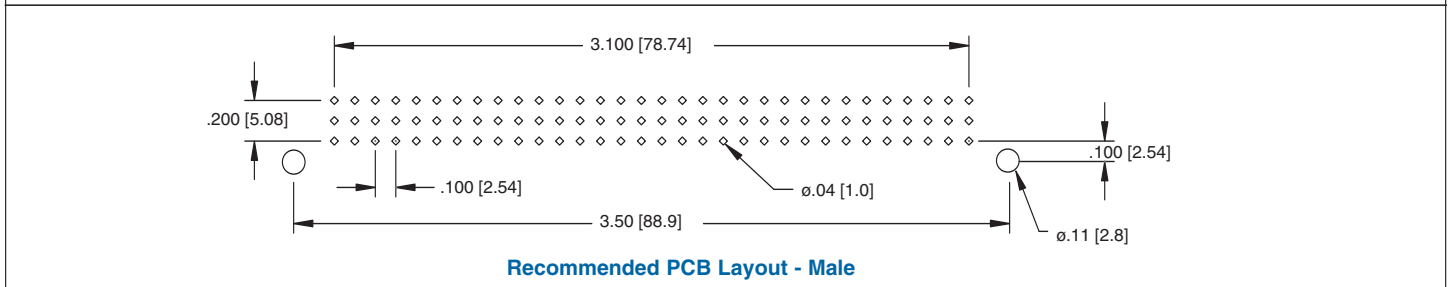
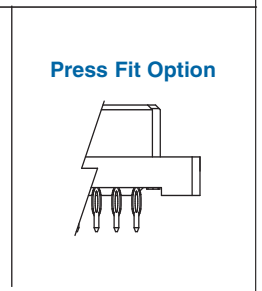
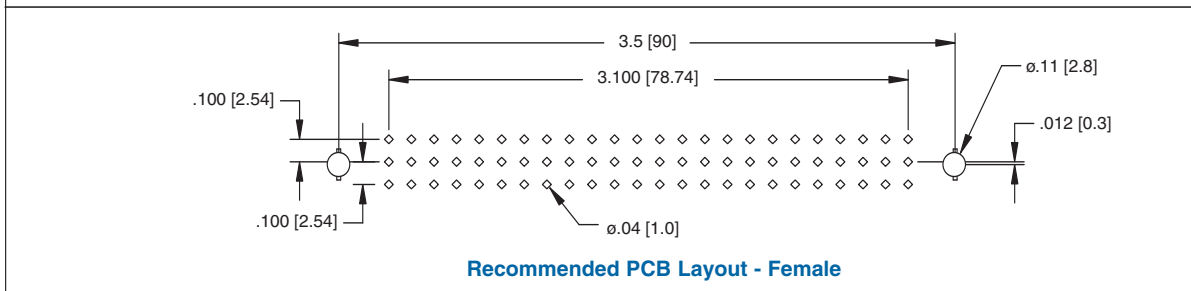
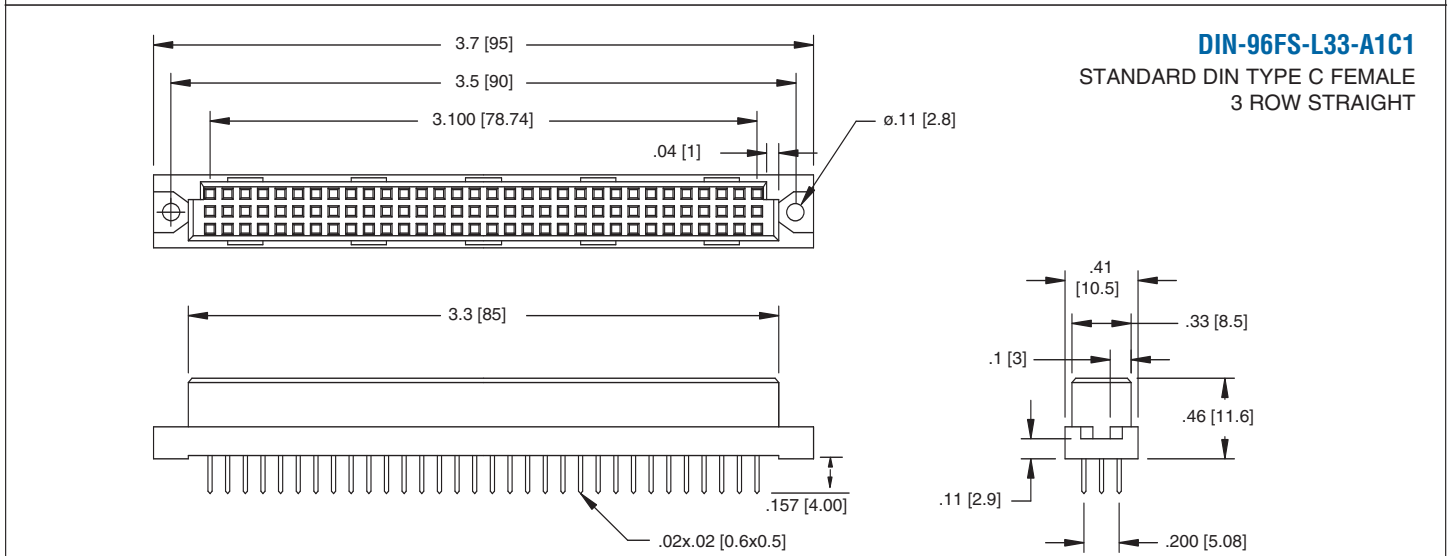
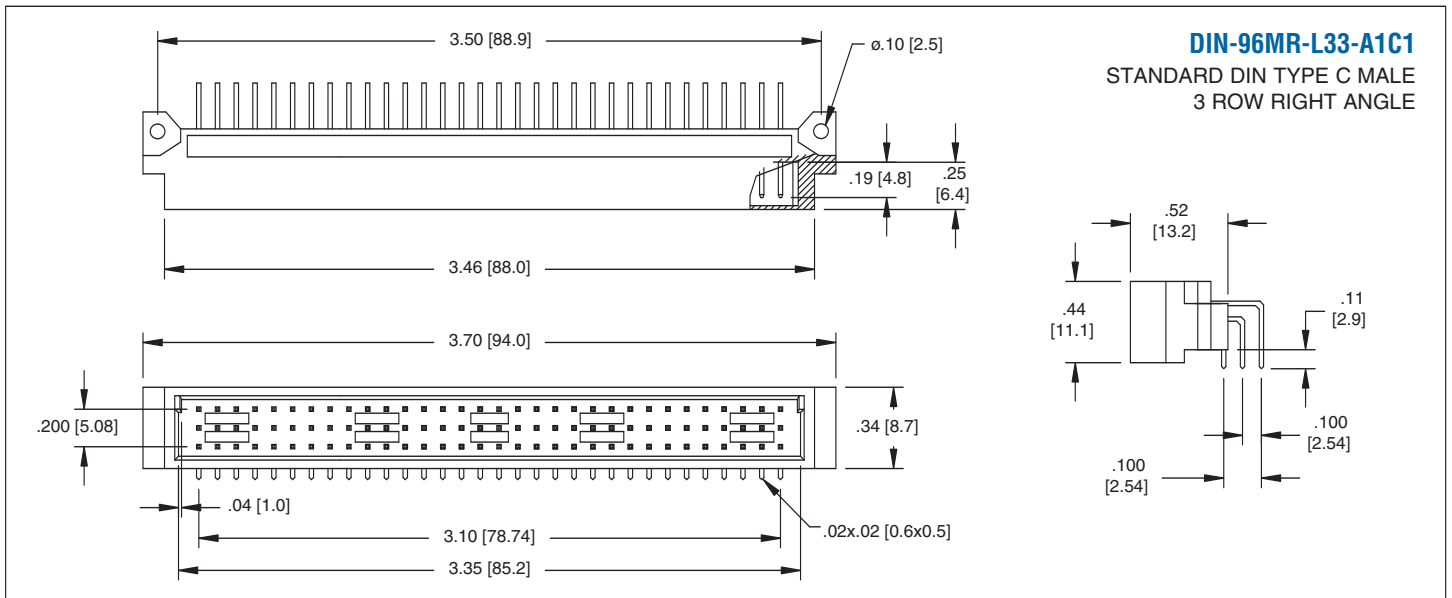
UL Recognized File No. E224053  
CSA Certified File No. LR1578596

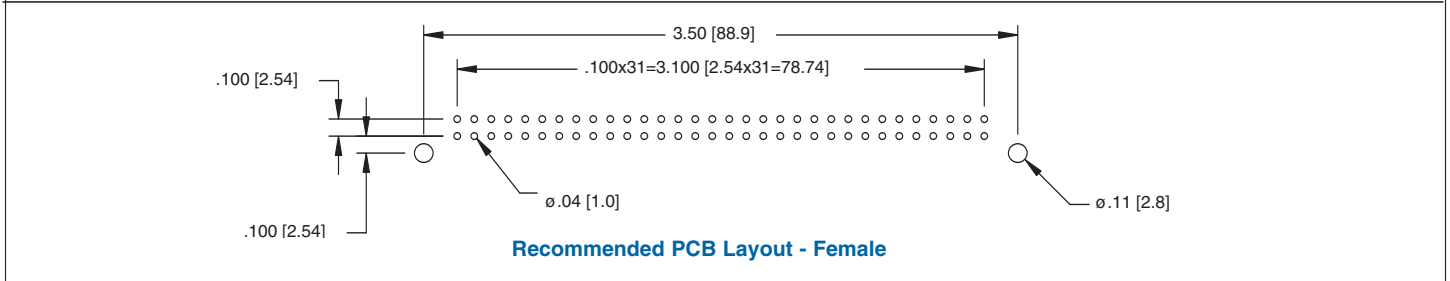
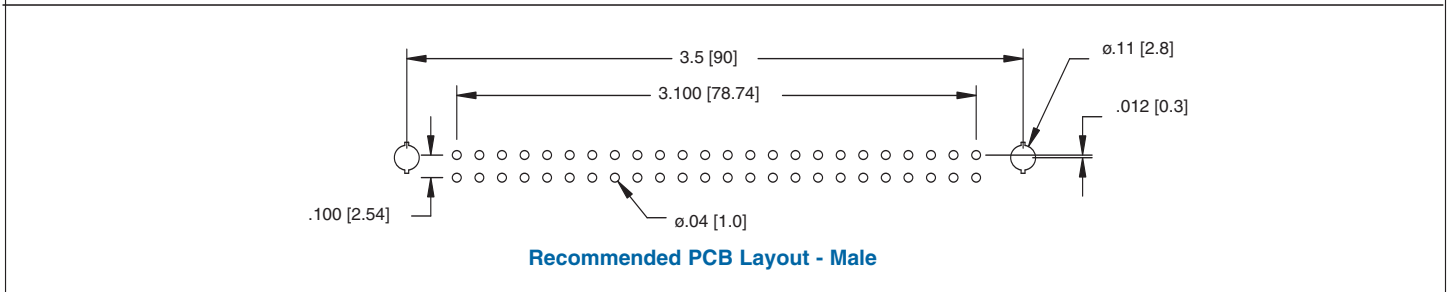
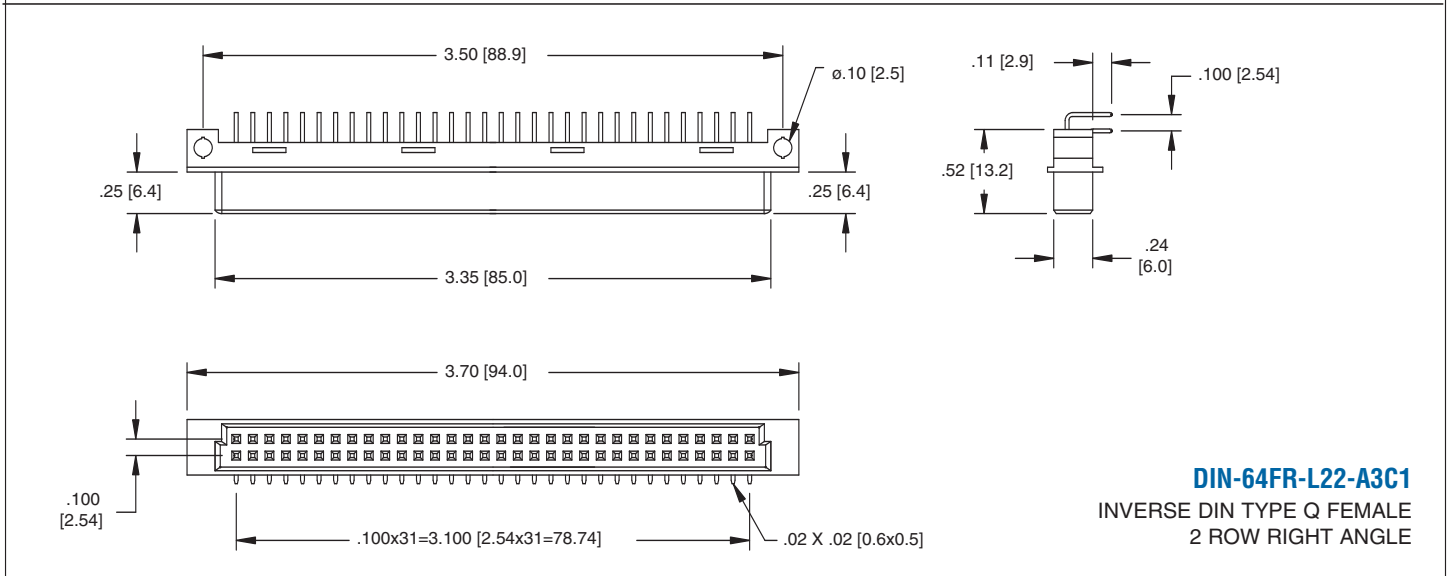
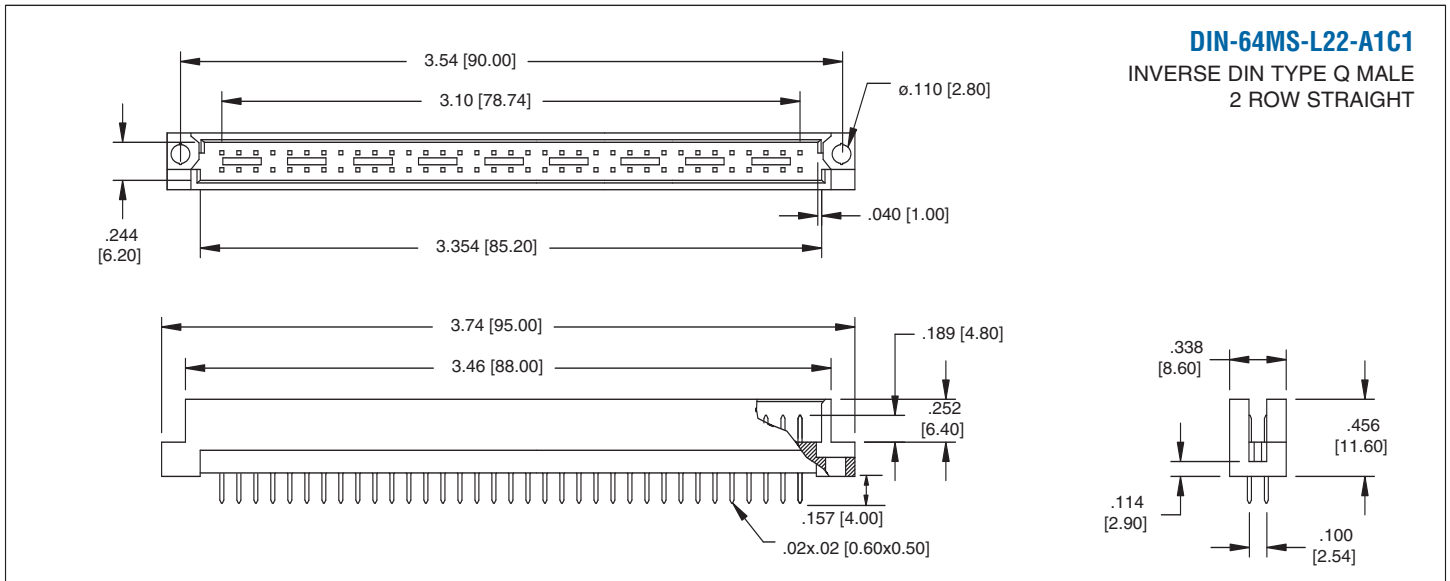


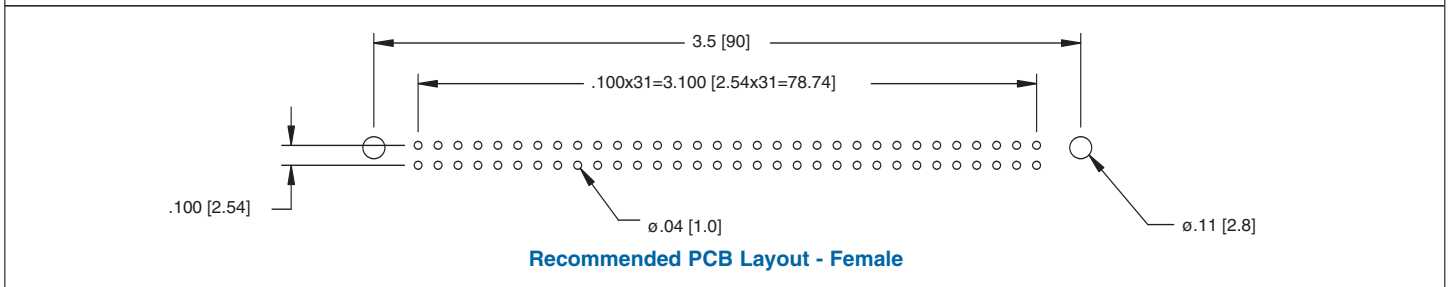
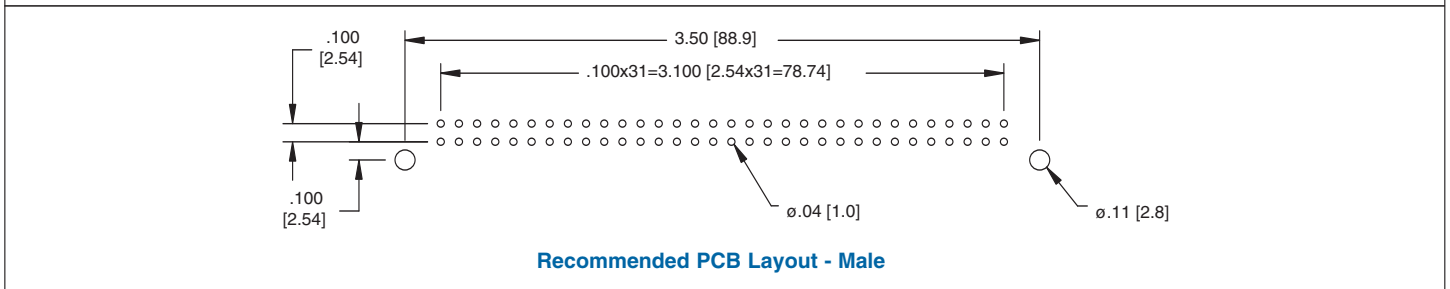
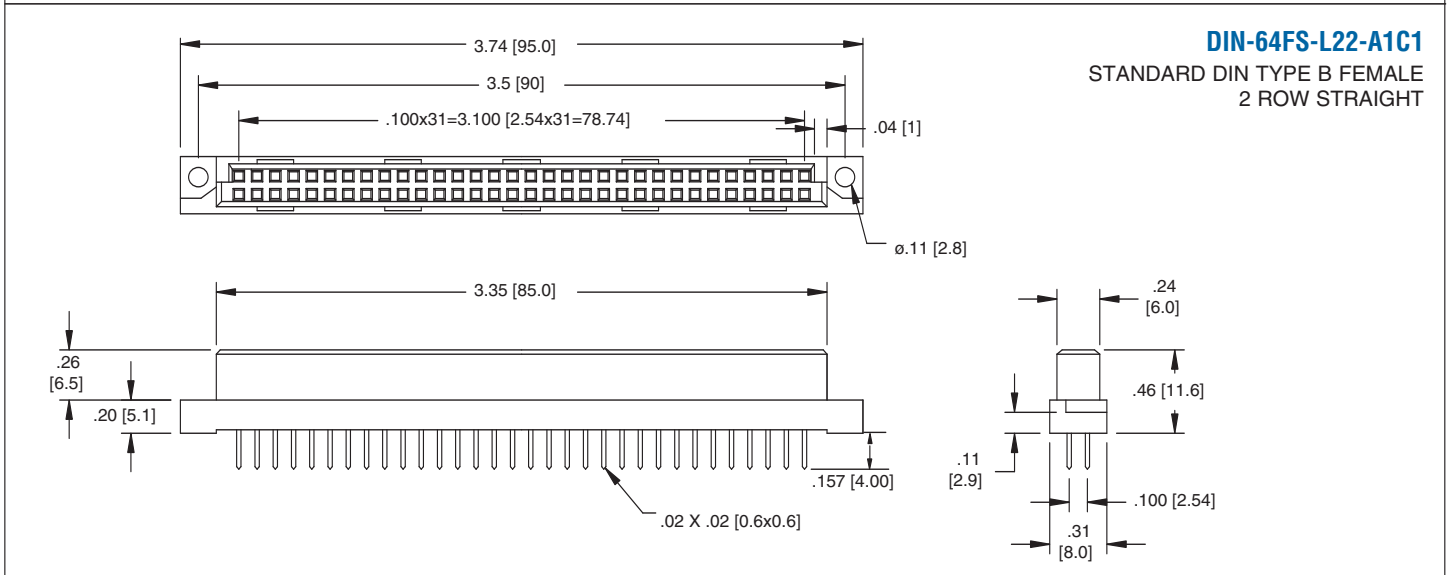
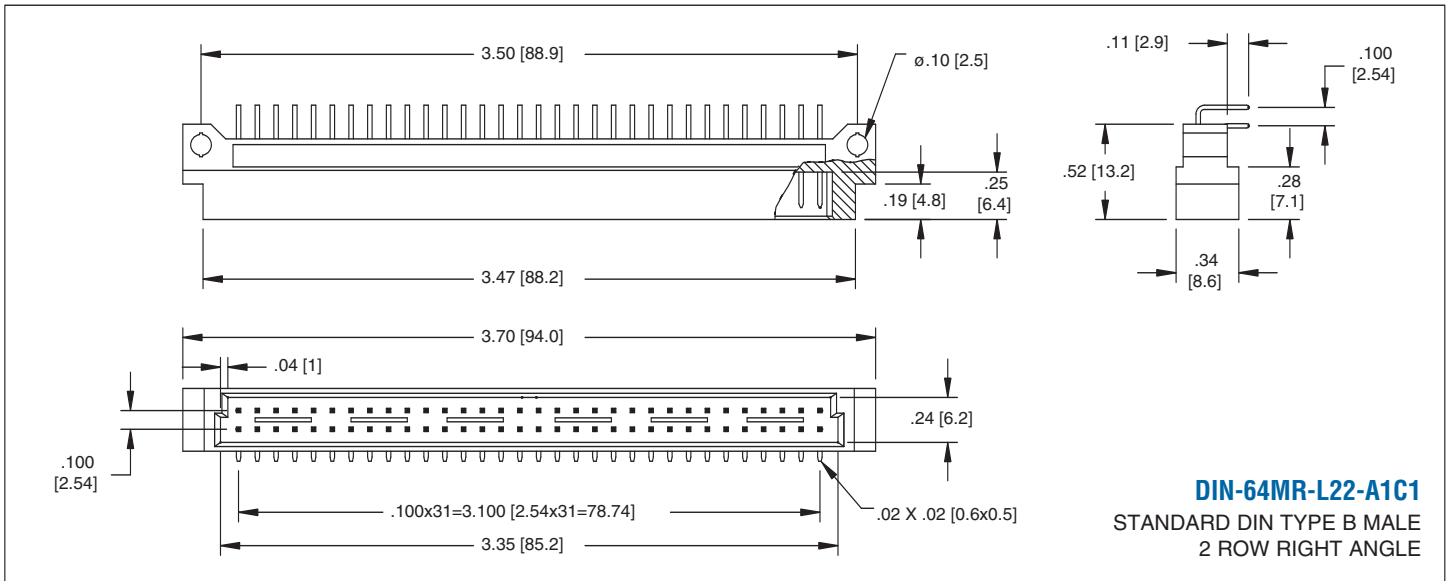
## ORDERING INFORMATION

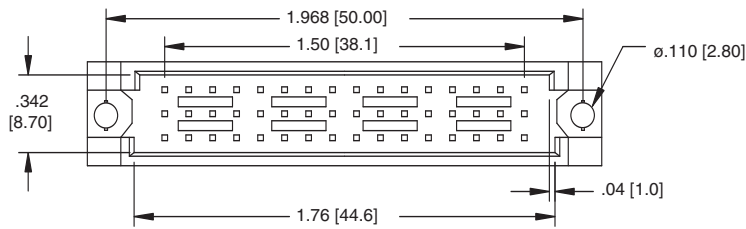




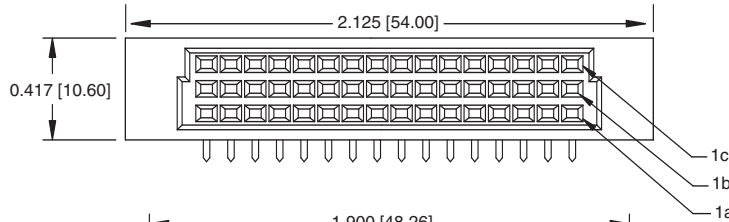
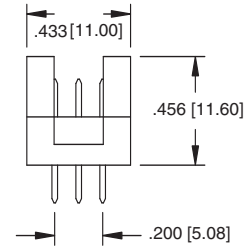
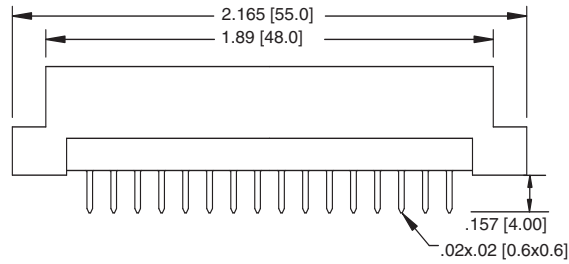








**DIN-48MS-S33-A1C1**  
INVERSE DIN TYPE 1/2 R MALE  
3 ROW STRAIGHT



**DIN-48FR-S33-A1C1**  
INVERSE DIN TYPE 1/2 R FEMALE  
3 ROW STRAIGHT

