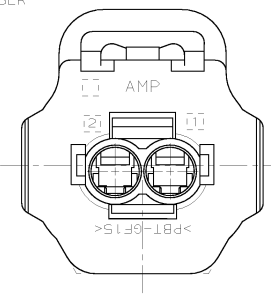
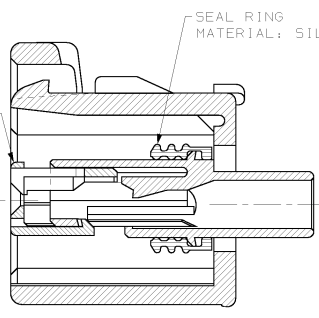
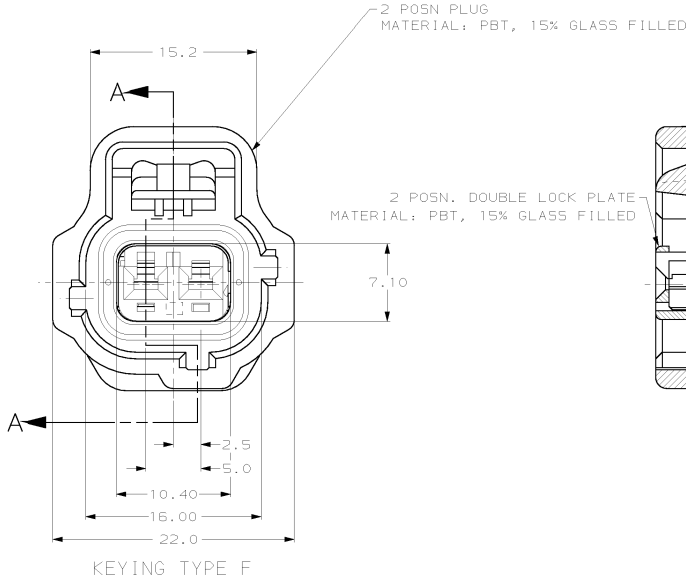
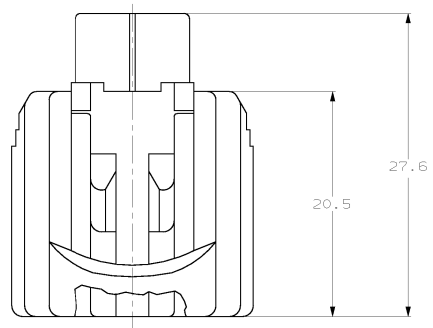


THIS DRAWING IS UNPUBLISHED. RELEASED FOR PUBLICATION  
 (C) COPYRIGHT IS BY AMP INCORPORATED. ALL RIGHTS RESERVED.

REVOLUTION		REVISIONS			
REV	QTY	DESCRIPTION	DATE	BY	APP'D
0		RELEASED, WAS 92-4072-2313-6	-	-	-
A		REV PER ECN 0720-0290-94	10/14/94	KDL	JPK
B		REV PER ECN 0720-0446-94	12/16/94	KW	JK
C		REV PER ECN 0K50-0003-96	08/13/96	KW	JK
D		REV PER ECN 0K40-0140-00	6-28-00	PC	GI



BLACK		184010-1	
PLUG COLOR		PART NO	
<b>AMP</b>		AMP Incorporated Harrisburg, PA 17105-3608	
1 X 2 PLG ASY KEY F-3			
SIZE	DATE CODE	MARKING NO	
A2	00779	©=184010	
CUSTOMER DRAWING		SCALE	SHEET
		4:1	1 OF 1

AMP 1471-9 REV 10/93  
 14 AUG 1996 10:06:17 AMP330844J51284-DEPT1135-U, SENGOR-U, 2POSN-U, ASSY-U, 0UST-U, REV