

4

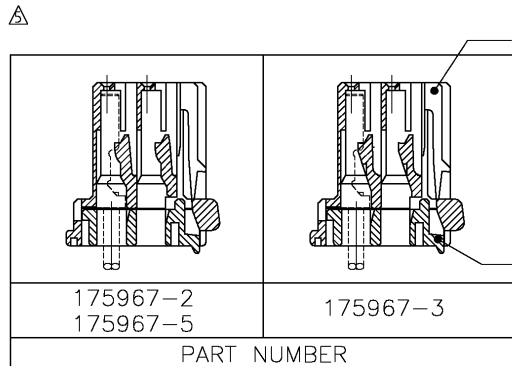
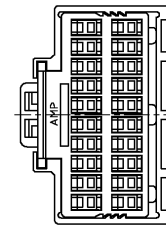
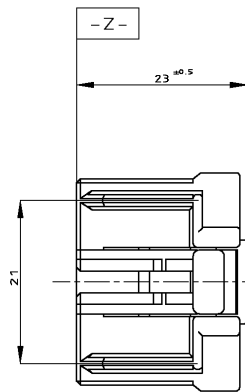
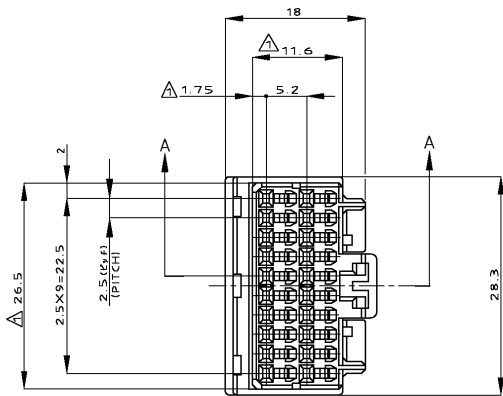
3

2

1

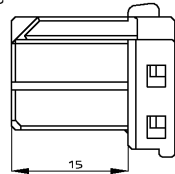
THIS DRAWING IS UNPUBLISHED. RELEASED FOR PUBLICATION
 © COPYRIGHT - BY TYCO ELECTRONICS CORPORATION. ALL RIGHTS RESERVED.

LOC	DIST	REVISIONS					
J	-	P	LTR	DESCRIPTION	DATE	DWN	APVD
		B		ADDED -3 FJAQ-0363-04	31AUG04	SS	YF



PLUG HOUSING

DOUBLE LOCK PLATE



- △ MUST BE KEPT BETWEEN [-Z-] AND 2mm
- 2. THE MATING CAP HSG. PART NUMBER; 175975,174912,175977
- 3. APPLIED CONTACT P/N; 173681
- 4. APPLICABLE PRODUCT SPEC NO.; 108-5281
- △ THIS PLUG HOUSING HAVE TWO KINDS OF LANCE TYPE

- △ [-Z-] 面より2mmの範囲で測定。
- 2. 嵌合相手ハウジング型番: 175975,174912,175977
- 3. 内装するリセアタクルコンタクト型番: 173681
- 4. 適用製品規格番号: 108-5281
- △ 本プラグハウジングは2タイプのランス形状がある

BLUE	175967-5
BLACK	175967-3
BLACK	175967-2
COLOR	PART NUMBER

A - A

THIS DRAWING IS A CONTROLLED DOCUMENT.

DIMENSIONS:	TOLERANCES UNLESS OTHERWISE SPECIFIED:
単位: 転	数公差
mm	
	0 PLC ± -
	1 PLC ± -
	2 PLC ± -
	3 PLC ± -
	4 PLC ± -
	4 BCC ± -
	ANGLES ± -

TOLERANCE UNLESS OTHERWISE SPECIFIED:
数公差
0 < x ≤ 10 : ±0.2
10 < x ≤ 30 : ±0.25
30 < x ≤ 100 : ±0.3
ANGLE : ±3°

MATERIAL	FINISH	COLOR
PBT	性上	HOUSING: SEE TABLE PLATE; NATURAL

DWN	K. SUZUKI	24OCT89	tyco Electronics	Tyco Electronics AMP K.K.	
CHK	Y. MATSUSAKA	19DEC89		Kawasaki, Japan	
AIPO	M. NAGUCHI	26DEC89	NAME	040 SERIES MULTILOCK I/O CONNECTOR MK-II	
PRODUCT SPEC	108-5281		品名	20POSITION PLUG HOUSING ASSEMBLY	
APPLICATION SPEC	取付適用規格		SIZE	CAGE CODE	DRAWING NO
WEIGHT	4.9 g	A3	00779	175967	RESTRICTED
CUSTOMER DRAWING	SCALE	2:1	SHEET	1 of 1	REV