

4

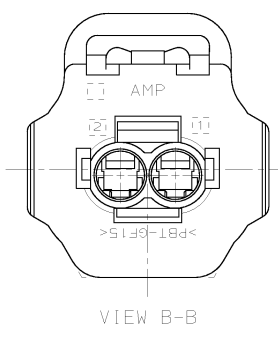
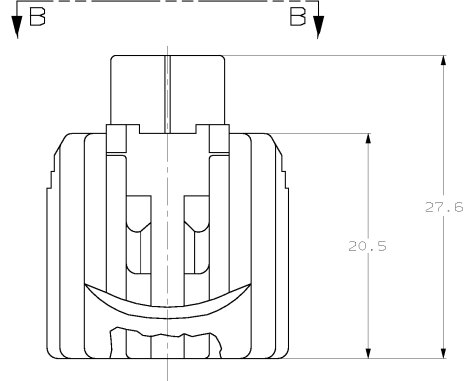
3

2

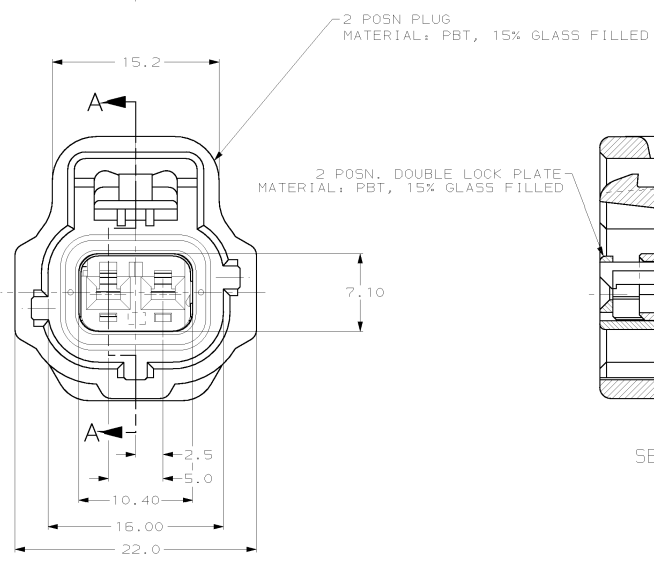
1

THIS DRAWING IS UNPUBLISHED. RELEASED FOR PUBLICATION. (C) COPYRIGHT 19 BY AMP INCORPORATED. ALL RIGHTS RESERVED.

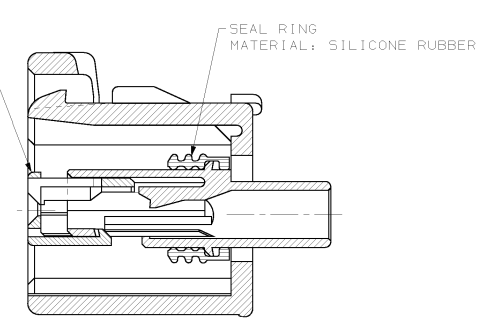
REVOLUTIONS		DATE	BY	APP'D
0	RELEASED, WAS 92-4072-2313-4	-	-	-
A	REV PER ECN 0720-0290-94	10/6/94	KL	JPK
B	REV PER ECN 0720-0446-94	12/16/94	KW	JK
C	REV PER ECN 0720-0702-95	8/9/95	KL	JK
D	REV PER ECN 0K50-0003-95	08/13/95	KW	JK
E	REV PER EC# 0K40-0140-00	7-10-00	PC	GI



VIEW B-B



KEYING TYPE D



SECTION A-A

GRAY	184006-2
GREEN	184006-1
PLUG COLOR	PART NO
AMP AMP Incorporated Harrisburg, PA 17105-3608	
1 X 2 PLG ASY KEY D-C3	
SIZE	DATE CODE
A2	00779
CAL	184006
SHEET	1 OF 1
REV	E

DIMENSIONS		TOLERANCES UNLESS OTHERWISE SPECIFIED	
FR	3/23/94	FR	4/10/94
LD LITTLE		LD KUNLE	
DD		DD	
PRODUCT SPEC		PRODUCT SPEC	
APPLICATION SPEC		APPLICATION SPEC	
WEIGHT		WEIGHT	
CUSTOMER DRAWING		CUSTOMER DRAWING	

AMP 1471-9 REV 10/93
14 AUG 1996 09:55:02 AMP33064J51284-0EPT1135-U, SENSOR-U, 2POSN-U, ASSY-U, DUST-U, REV

184006
B

A