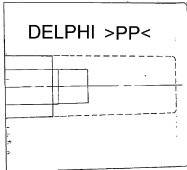
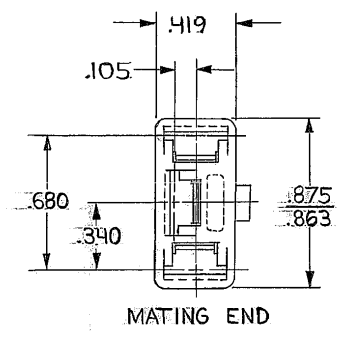
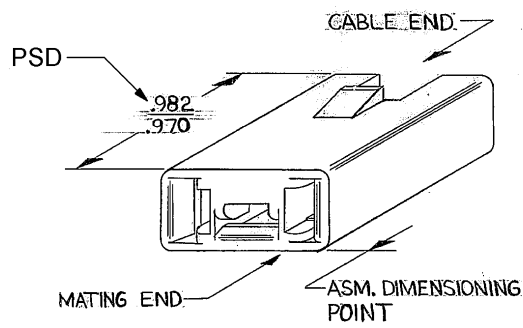


REV	DATE	BY	CHKD	DESCRIPTION
1				



- NOTES
1. DIMENSIONS ARE TO FACE OF VIEW SHOWN UNLESS OTHERWISE INDICATED
 2. (.001) X (.004) RAISED DELPHI CORPORATE BRAND TO BE LOCATED ON ANY EXTERIOR SURFACE, PRESENTLY VISIBLE AT FINAL ASSEMBLY. OPTIONAL CONSTRUCTION TO BE "PEP" OR NO LOGO
 3. MATERIAL RECYCLING CODES (PPH, PER, SAE, F1344, F1345) X (.004) RAISED CHARACTERS AS SHOWN TO BE LOCATED ON ANY EXTERIOR SURFACE. OPTIONAL CONSTRUCTION TO BE NO MATERIAL RECYCLING CODES

12040049	BT	+	MS061007 - PP GRN	
08071787	+	+	OBSOLETE	
02562558	BT	+	MS061007 - PP GRN	
			MS061002 - PP ELK	
PART NO	REV	NP	STATUS	MATERIAL SPECIFICATION AND COLOR

DATE TIME

PART DRAWING

SCALE

1:1

PROJ. D. G. O'NEILL

DESIGN T. MADRY

CHKD. T. LIBERT

DATE

0600

DELPHI

SEE CHART

TAXI COIN 56

08911908

NO. 11 1001 12 01

DELPHI
HEAVY TRANSPORTATION SYSTEMS

REVISIONS

DATE

BY

CHKD.

DESCRIPTION

1

0600

08911908

NO. 11 1001 12 01