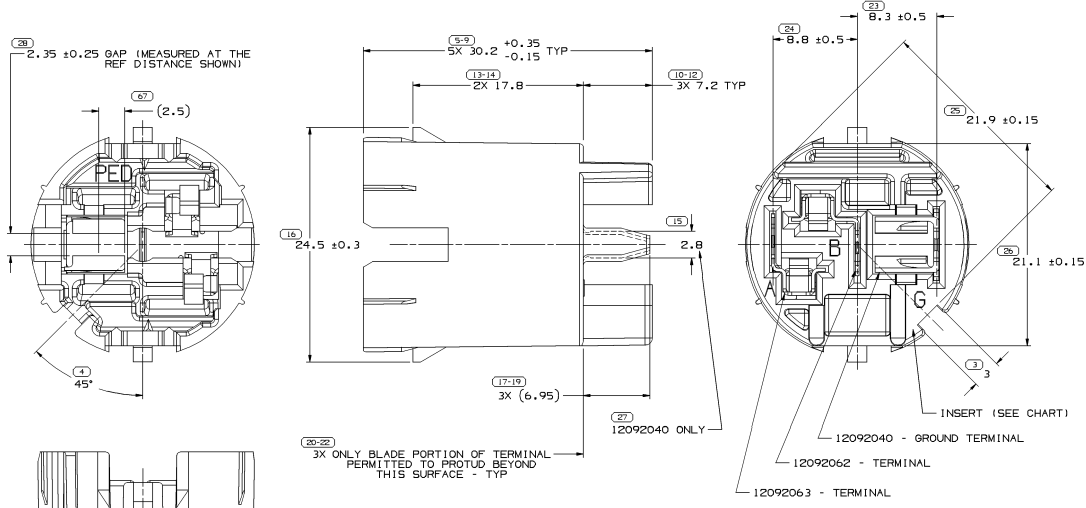


SYMBOL DEFINITION		MISSING NUMBERS	
A DIMENSION WITHOUT AN INSPECTION REPORT SYMBOL () DOES NOT REQUIRE INSPECTION. IT MAY BE CONTROLLED ON AN INDIVIDUAL COMPONENT DRAWING.	TOTAL NO. OF SYMBOLS ON DRAWING	2,29.	
	LAST NO. USED		

REV STATUS		ZONE		REVISION HISTORY		AUTH	DR	APP'D
DATE	STG	REV	N/P	CHG				
23JAO2	R	06	-	-	CLEARED REV COL1 ALL ACTIVE PARTS - REVISED DIM PLACES (11 PLG)	219182	RVP/RVP	AL
21JAO2	R	07	-	-	ALL ACTIVE PARTS - REVISED GRAPHICS	218736	RVP/RVP	AL
18AP02	R	08	-	-	ALL ACTIVE PARTS - REVISED GRAPHICS	224130	RVP/RVP	AL
23JNO3	R	09	-	-	12186433 - INACTIVE	241981	MAC/MAC	MEF
28AP04	R	10	-	-	REVISED TERMINAL (2092040) DIM Z3 CORRECTED (WAS B.41).	253560	LMB/LMB	BR
10MRO5	R	11	-	-	ALL ACTIVE PARTS - UPDATED PDM ATTRIBUTES	265400	CCV/JAM	MEF
14A006	R	12	-	-	12186433 - OBSOLETE	283319	CCV/JAM	MEF



- NOTES
- UNLESS OTHERWISE SPECIFIED AND/OR INDICATED: DIMENSIONS ARE TO FACE OF VIEW SHOWN AND AUTOMATICALLY ROUNDED BY COMPUTER FOR INSPECTION. (SEE MATH MODEL FOR PRECISE DIMENSIONS.) FOR ALL OTHER DIMENSIONS NOT SHOWN BUT REQUIRED FOR TOOL BUILD, SEE MATH MODEL FOR PRECISE TOOL PATH DATA.
 - REFERENCE MATING COMPONENTS OR EQUIVALENT: BULB 9441834
 - TERMINAL RETENTION 25N MIN IN CAVITY "G".
 - TERMINAL RETENTION 10N MIN IN CAVITIES "A" AND "B".
 - (1.7)(X.0.1) DELPHI CORPORATE BRAND TO BE LOCATED ON ANY EXTERIOR SURFACE, PREFERABLY VISIBLE AT FINAL ASSEMBLY. OPTIONAL CONSTRUCTION TO BE "PED" OR NO LOGO.



ASSEMBLY NO	REV	N/P	STATUS	INSERT	COLOR	MATING LP SOCKET BODY
15354863	A2		INACTIVE		NAT	15354864 OR 15354865
12186433	04	AB	OBSOLETE		BLK	12186254
12177163	05	AA			BGE	12160394 OR 12160395

DIMENSIONAL RANGE (MM)	TOLERANCE (MM)	DRIFT (BT)
FROM > 0	> 30	> 10
TO < 30	< 100	< 200
	> 200	> 500
	> 500	> 1000
	> 1000	> 2000
	> 2000	> 5000
	> 5000	> 10000
	> 10000	> 20000
	> 20000	> 50000
	> 50000	> 100000
	> 100000	> 200000
	> 200000	> 500000
	> 500000	> 1000000
	> 1000000	> 2000000
	> 2000000	> 5000000
	> 5000000	> 10000000
	> 10000000	> 20000000
	> 20000000	> 50000000
	> 50000000	> 100000000
	> 100000000	> 200000000
	> 200000000	> 500000000
	> 500000000	> 1000000000
	> 1000000000	> 2000000000
	> 2000000000	> 5000000000
	> 5000000000	> 10000000000
	> 10000000000	> 20000000000
	> 20000000000	> 50000000000
	> 50000000000	> 100000000000
	> 100000000000	> 200000000000
	> 200000000000	> 500000000000
	> 500000000000	> 1000000000000
	> 1000000000000	> 2000000000000
	> 2000000000000	> 5000000000000
	> 5000000000000	> 10000000000000
	> 10000000000000	> 20000000000000
	> 20000000000000	> 50000000000000
	> 50000000000000	> 100000000000000
	> 100000000000000	> 200000000000000
	> 200000000000000	> 500000000000000
	> 500000000000000	> 1000000000000000
	> 1000000000000000	> 2000000000000000
	> 2000000000000000	> 5000000000000000
	> 5000000000000000	> 10000000000000000
	> 10000000000000000	> 20000000000000000
	> 20000000000000000	> 50000000000000000
	> 50000000000000000	> 100000000000000000
	> 100000000000000000	> 200000000000000000
	> 200000000000000000	> 500000000000000000
	> 500000000000000000	> 1000000000000000000
	> 1000000000000000000	> 2000000000000000000
	> 2000000000000000000	> 5000000000000000000
	> 5000000000000000000	> 10000000000000000000
	> 10000000000000000000	> 20000000000000000000
	> 20000000000000000000	> 50000000000000000000
	> 50000000000000000000	> 100000000000000000000
	> 100000000000000000000	> 200000000000000000000
	> 200000000000000000000	> 500000000000000000000
	> 500000000000000000000	> 1000000000000000000000
	> 1000000000000000000000	> 2000000000000000000000
	> 2000000000000000000000	> 5000000000000000000000
	> 5000000000000000000000	> 10000000000000000000000
	> 10000000000000000000000	> 20000000000000000000000
	> 20000000000000000000000	> 50000000000000000000000
	> 50000000000000000000000	> 100000000000000000000000
	> 100000000000000000000000	> 200000000000000000000000
	> 200000000000000000000000	> 500000000000000000000000
	> 500000000000000000000000	> 1000000000000000000000000
	> 1000000000000000000000000	> 2000000000000000000000000
	> 2000000000000000000000000	> 5000000000000000000000000
	> 5000000000000000000000000	> 10000000000000000000000000
	> 10000000000000000000000000	> 20000000000000000000000000
	> 20000000000000000000000000	> 50000000000000000000000000
	> 50000000000000000000000000	> 100000000000000000000000000
	> 100000000000000000000000000	> 200000000000000000000000000
	> 200000000000000000000000000	> 500000000000000000000000000
	> 500000000000000000000000000	> 1000000000000000000000000000
	> 1000000000000000000000000000	> 2000000000000000000000000000
	> 2000000000000000000000000000	> 5000000000000000000000000000
	> 5000000000000000000000000000	> 10000000000000000000000000000
	> 10000000000000000000000000000	> 20000000000000000000000000000
	> 20000000000000000000000000000	> 50000000000000000000000000000
	> 50000000000000000000000000000	> 100000000000000000000000000000
	> 100000000000000000000000000000	> 200000000000000000000000000000
	> 200000000000000000000000000000	> 500000000000000000000000000000
	> 500000000000000000000000000000	> 1000000000000000000000000000000
	> 1000000000000000000000000000000	> 2000000000000000000000000000000
	> 2000000000000000000000000000000	> 5000000000000000000000000000000
	> 5000000000000000000000000000000	> 10000000000000000000000000000000
	> 10000000000000000000000000000000	> 20000000000000000000000000000000
	> 20000000000000000000000000000000	> 50000000000000000000000000000000
	> 50000000000000000000000000000000	> 100000000000000000000000000000000
	> 100000000000000000000000000000000	> 200000000000000000000000000000000
	> 200000000000000000000000000000000	> 500000000000000000000000000000000
	> 500000000000000000000000000000000	> 1000000000000000000000000000000000
	> 1000000000000000000000000000000000	> 2000000000000000000000000000000000
	> 2000000000000000000000000000000000	> 5000000000000000000000000000000000
	> 5000000000000000000000000000000000	> 10000000000000000000000000000000000
	> 10000000000000000000000000000000000	> 20000000000000000000000000000000000
	> 20000000000000000000000000000000000	> 50000000000000000000000000000000000
	> 50000000000000000000000000000000000	> 100000000000000000000000000000000000
	> 100000000000000000000000000000000000	> 200000000000000000000000000000000000
	> 200000000000000000000000000000000000	> 500000000000000000000000000000000000
	> 500000000000000000000000000000000000	> 1000000000000000000000000000000000000
	> 1000000000000000000000000000000000000	> 2000000000000000000000000000000000000
	> 2000000000000000000000000000000000000	> 5000000000000000000000000000000000000
	> 5000000000000000000000000000000000000	> 10000000000000000000000000000000000000
	> 10000000000000000000000000000000000000	> 20000000000000000000000000000000000000
	> 20000000000000000000000000000000000000	> 50000000000000000000000000000000000000
	> 50000000000000000000000000000000000000	> 100000000000000000000000000000000000000
	> 100000000000000000000000000000000000000	> 200000000000000000000000000000000000000
	> 200000000000000000000000000000000000000	> 500000000000000000000000000000000000000
	> 500000000000000000000000000000000000000	> 1000000000000000000000000000000000000000
	> 1000000000000000000000000000000000000000	> 2000000000000000000000000000000000000000
	> 2000000000000000000000000000000000000000	> 5000000000000000000000000000000000000000
	> 5000000000000000000000000000000000000000	> 100
	> 100	> 200
	> 200	> 500
	> 500	> 1000
	> 1000	> 2000
	> 2000	> 5000
	> 5000	> 100
	> 100	> 200
	> 200	> 500
	> 500	> 1000
	> 1000	> 2000
	> 2000	> 5000
	> 5000	> 100
	> 100	> 200
	> 200	> 500
	> 500	> 1000
	> 1000</	