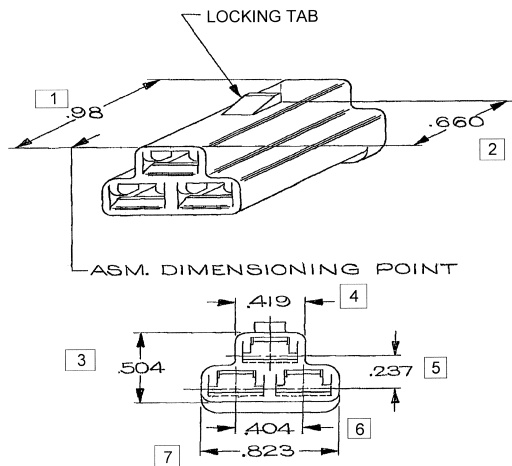


SYMBOL DEFINITION		TOTAL NO. OF SYMBOLS ON DRAWING	MISSING NUMBERS
A DIMENSION WITHOUT AN INSPECTION REPORT SYMBOL \square DOES NOT REQUIRE INSPECTION. IT MAY BE CONTROLLED ON AN INDIVIDUAL COMPONENT DRAWING.			
		7	

DWG STATUS				ZONE	REVISION HISTORY	AUTH	DR	APVD	APVD
DATE	STG	REV	N/P						
28JUN73	R	-	-	-	MATL. SPEC. WAS M-661-009	49146	GF	GF	GF
01MR77	R	-	-	-	MATL. SPEC. WAS R-67555	61530	DT	DT	DT
30JUL04	R	A3	-	-	MATL SPEC WAS R-67553 AND REVISED NOTES	256607	TLD	TLD	ET
05NO04	R	02	-	-	MATERIAL WAS M0661010	260977	MJM	MJM	ET



NOTES

- UNLESS OTHERWISE SPECIFIED AND/OR INDICATED: DIMENSIONS ARE TO FACE OF VIEW SHOWN AND AUTOMATICALLY ROUNDED BY COMPUTER FOR INSPECTION (SEE MATH MODEL FOR PRECISE DIMENSIONS). FOR ALL OTHER DIMENSIONS NOT SHOWN BUT REQUIRED FOR TOOL BUILD, SEE MATH MODEL FOR PRECISE TOOL PATH DATA.
- MATERIAL RECYCLING CODE PER SAE J1344. (.09)X(.004) RAISED CHARACTERS AS SHOWN TO BE LOCATED ON ANY EXTERIOR SURFACE. OPTIONAL CONSTRUCTION TO BE NO MATERIAL RECYCLING CODE.
- REFERENCE MATING COMPONENTS OR EQUIVALENT: CONNECTOR 08905117
- (.09)X(.004) RAISED DELPHI CORPORATE BRAND TO BE LOCATED ON ANY EXTERIOR SURFACE, PREFERABLY VISIBLE AT FINAL ASSEMBLY. OPTIONAL CONSTRUCTION TO BE "PED" OR NO LOGO.

PROCESS SENSITIVE DIMENSION
DIMENSIONS ENCLOSED IN () INDICATE REFERENCE DIMENSIONS AND NO TOLERANCE LIMITS ARE ESTABLISHED
TOLERANCE UNLESS OTHERWISE SPECIFIED DECIMAL: TWO PLACES+.01 THREE PLACES+.005
ANGULAR: ±.2

DWG TYPE PART DRAWING	
STYLE	D
VOLUME (OMP)	
UNLESS OTHERWISE SPECIFIED THIS DOCUMENT IS IN ACCORDANCE WITH ASME Y14.5M-1994 AS AMENDED BY THE QM GLOBAL DIMENSIONING AND TOLERANCING ADDENDUM 2001. SEPARATE PATTERNS OF FEATURES MAY BE GAGED SEPARATELY REGARDLESS OF DATUM REFERENCES.	
ALL DIMENSIONS ARE IN INCHES	
THIRD ANGLE PROJECTION	DO NOT SCALE USE MATH DATA

DELPHI	
DELPHI PACKARD ELECTRIC SYSTEMS WARREN, OH	
DR	DATE
APVD1 C. PATTERSON	22SE69
APVD2 HUBBARD	24SE69
APVD3 H. PEARCE	25SE69
APVD4	
APVD5	
SUBSTANCES OF CONCERN AND RECYCLED CONTENT PER DELPHI 10949001	
MATERIAL M2097010 PP 1M BRN	
DRAWING NAME CONN 3 F 56 BRN	
DRAWING NUMBER 08905116	
SIZE A2	SCALE NONE
FRAME NO 1 OF 1	SHEET NO 1 OF 1
STG R	REV 02
N/P	