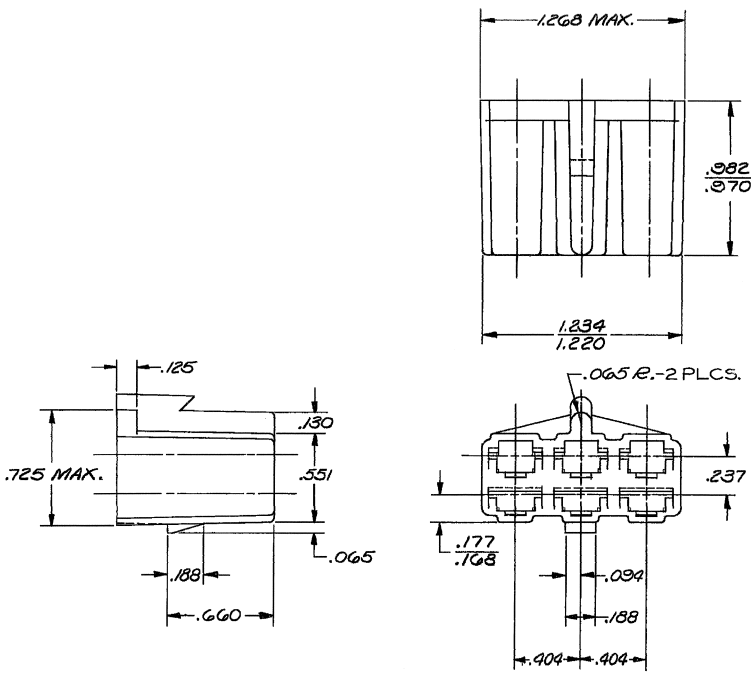


DWG STATUS					ZONE		REVISION HISTORY			AUTH	DR	APVD	APVD
DATE	STG	REV	N/P	CHG								1	2
110C04	R	11	-	-			TAXI CREATED, ALL PARTS WERE ON SEPARATE PD'S			258024	MJM	M	ET



- NOTES
1. MATERIAL RECYCLING CODE PER SAE J1344. RAISED CHARACTERS AS SHOWN TO BE LOCATED ON ANY EXTERIOR SURFACE. OPTIONAL CONSTRUCTION TO BE NO MATERIAL RECYCLING CODE.
 2. RAISED DELPHI CORPORATE BRAND TO BE LOCATED ON ANY EXTERIOR SURFACE, PREFERABLY VISIBLE AT FINAL ASSEMBLY. OPTIONAL CONSTRUCTION TO BE "PED" OR NO LOGO.
 3. REFERENCE MATING CONNECTOR 02977042.

08911508	C	-	OBSOLETE	R-63519 (POLYP. BLU)
08905642	C	-	OBSOLETE	M-661-001 (POLYP. NAT)
02977044	04	-	-	M2097001 PP 1M BLK
PART NO	REV	N/P	STATUS	MATERIAL SPEC AND COLOR

TOLERANCE UNLESS OTHERWISE SPECIFIED
 DECIMAL : TWO PLACE ± .01
 THREE PLACE ± .005
 ANGULAR ± 2°

DWG TYPE: PART DRAWING

STYLE: []

VOLUME (CM³): [] DIST. CODE: []

UNLESS OTHERWISE SPECIFIED

THIS DOCUMENT IS IN ACCORDANCE WITH ASME Y14.5M-1994 AS AMENDED BY THE GM GLOBAL DIMENSIONING AND TOLERANCING ADDENDUM - 1995. ALL GEOMETRIC TOLERANCES AND RELATED DATUMS APPLY RES. FILE AT PERFECT FORM AT MFC. DOES NOT APPLY WHEN RELATIONSHIP BETWEEN FEATURES IS ESTABLISHED BY ORIENTATION OR LOCATION TOLERANCES. SEPARATE POSITION CALLOUTS MAY BE SHOWN SEPARATELY, REGARDLESS OF DATUM REFERENCE. ALL DIMENSIONS ARE IN INCHES.

REFERENCE:

THIRD ANGLE PROJECTION

DO NOT SCALE USE MATH DATA

UMGRAPHICS

DELPHI
 DELPHI PACKARD ELECTRIC SYSTEMS
 WARREN, OH

DR	DATE
APVD1 M. MAYER	110C04
APVD2 M. MAYER	110C04
APVD3 ERIC TRACEY	120C04
APVD4	
APVD5	

SUBSTANCES OF CONCERN AND RECYCLED CONTENT PER DELPHI 10949001

MATERIAL SEE CHART

DRAWING NAME: TAXI CONN 56

DRAWING NUMBER: 08905643

SIZE	SCALE	FRAME NO	SHEET NO	STG	REV	N/P
A2	NTS	1 OF 1	1 OF 1	R	11	-