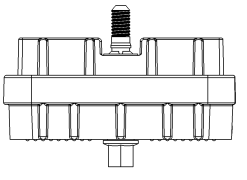
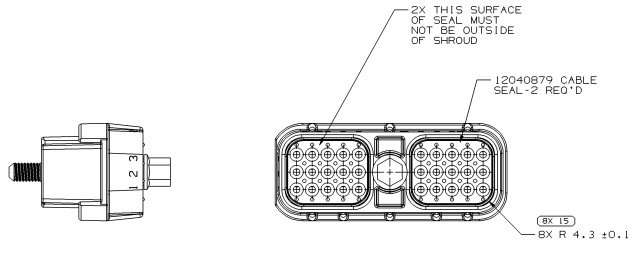
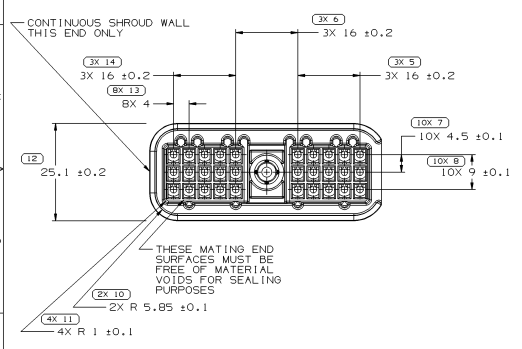
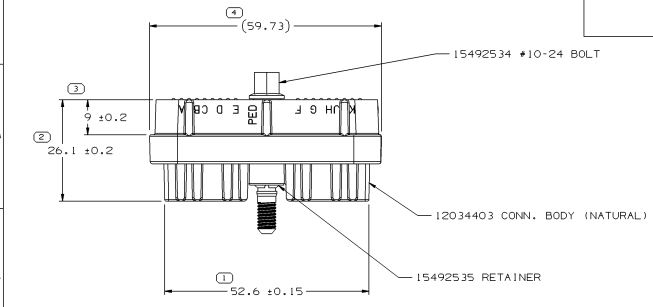


SYMBOL DEFINITION	
A DIMENSION WITHOUT AN INSPECTION REPORT SYMBOL () DOES NOT REQUIRE INSPECTION. IT MAY BE CONTROLLED ON THE INDIVIDUAL COMPONENT DRAWING.	TOTAL NO OF INSPECTIONS REQUIRED
	56
	LAST NO. USED
	15

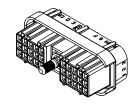
MISSING SYMBOLS	
	9

DWG STATUS				REVISION HISTORY		DATE	BY	APP'D	CHK'D	DATE	BY	APP'D
DATE	STG	REV	N/P	CHK	ZONE							
25MFD4	R	01	-	-	RELEASED					255795	JBO	FRM
26AP05	R	01	AA	-	REMOVED LABEL FOR ASSEMBLY PART NUMBER CALLOUT					266520	JTV	FKV



NOTES

- UNLESS OTHERWISE SPECIFIED AND/OR INDICATED: DIMENSIONS ARE TO FACE OF VIEW SHOWN AND AUTOMATICALLY ROUNDED BY COMPUTER FOR INSPECTION (SEE MATH MODEL FOR PRECISE DIMENSIONS). FOR ALL OTHER DIMENSIONS NOT SHOWN BUT REQUIRED FOR TOOL BUILD, SEE MATH MODEL FOR PRECISE TOOL PATH DATA.
- THIS PART ACCEPTS THE FOLLOWING COMPONENTS OR EQUIVALENT: CAVITIES TO ACCEPT 12047680 TERMINAL.
- REFERENCE MATING COMPONENTS OR EQUIVALENT: CONNECTOR 12034401
- THIS PART IS NOT CONTROLLED FOR AUTOMATIC FEEDING.
- BOLT TO BE RETAINED IN ASSEMBLY TO A MIN. 400 N.
- RECOMMENDED MATING TORQUE: 0.8 N-M TO 1.5 N-M.
- BOLT MUST ROTATE IN CONNECTOR AT A TORQUE OF LESS THAN 0.5 N-M AFTER RETAINER IS ASSEMBLED.
- SEALING CODE 3 - DESIGN WILL PASS SALT FOG AND IMMERSION TEST AFTER CONDITIONING AS SPECIFIED IN ESA-644 (WEATHER-PACK), ESA-710 (METRI-PACK), ESA-650 (UNDERHOOD MICRO-PACK), C-4006 (WORLD CONNECTOR), ETC WHEN MATED TO MATING PART OR EQUIVALENT



DIMENSIONAL RANGE (MM)	TOLERANCE UNLESS OTHERWISE SPECIFIED
FROM 0 TO 25	±0.1
25 TO 50	±0.15
50 TO 100	±0.2
100 TO 150	±0.25
150 TO 200	±0.3
200 TO 250	±0.4
250 TO 300	±0.5
300 TO 400	±0.6
400 TO 500	±0.7
500 TO 600	±0.8
600 TO 700	±0.9
700 TO 800	±1.0
800 TO 900	±1.1
900 TO 1000	±1.2

DWG TYPE		PART DRAWING	
STYLE		USER CODE	D
VOLUME (OMP)			
UNLESS OTHERWISE SPECIFIED			
THIS DRAWING IS TO ACCORDANCE WITH ASME Y14.5M-1994 UNLESS OTHERWISE SPECIFIED. DIMENSIONS ARE IN MILLIMETERS UNLESS OTHERWISE SPECIFIED.			
ALL DIMENSIONS ARE IN MILLIMETERS			
PREFERENCE			
THIRD ANGLE PROJECTION	DO NOT SCALE	USE MATH DATA	USE MATH DATA

DELPHI
DELPHI PACKAGED ELECTRIC SYSTEMS
WARREN, OH

DR	DATE
AP001 JOSE R. BARRIENTOS	02.JUL.04
AP002 FCO. RESENDIZ	07.JUL.04
AP003 MATTHEW ROUSSEL	30.JUL.04
AP004	
AP005	

SUBSTANCES OF CONCERN AND RECYCLED CONTENT PER DELPHI 10949001

DRWING NUMBER: ASM CONN 30 F M/P 150 NAT SLD

DRWING NUMBER: 15492544

SIZE: A1 SCALE: 2:1 FRAME NO: 1 OF 1 SHEET NO: 1 OF 1 REV: N/P