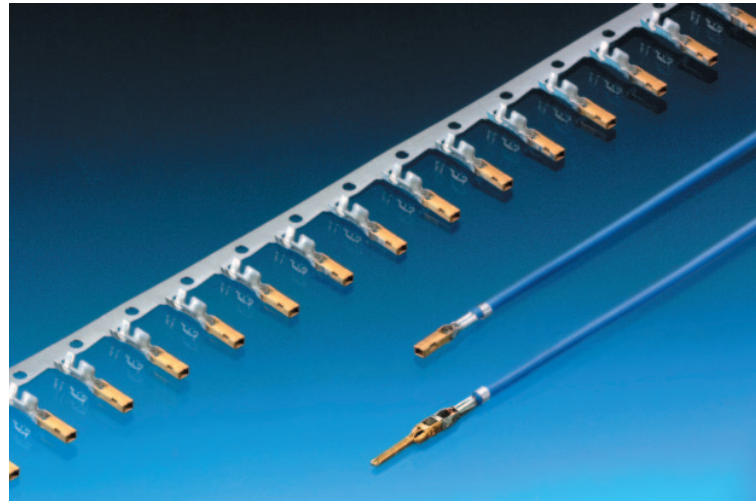


1.5 mm female and male terminals

Features

- APEX technology
- High current carrying capacity
- 4.0 mm pitch single wire seal 3.5 mm pitch mat-seal or unsealed
- Design compatible with a large range of connector sealing technologies (single wire sealing, mat-seal)
- Suitable for secondary lock
- Selective gold-plated versions available on male terminals
 - a. 7.0 mm length for coupling (in-line) applications
 - b. 11.1 mm length for shorting bar applications
- 180° terminal orientation



Performance characteristics

- Contact resistance: < 0.5 mΩ
- Contact mating force: < 5 N
- Contact unmating force: < 1 N

- Current carrying capacity

at 23°C up to approx.:	20 A
at 85°C up to approx.:	16 A
at 100°C up to approx.:	12 A
at 125°C up to approx.:	10 A

Tooling

- Manual crimping tool: Consult us
- Mini applicator: Consult us

Part Numbers	Type	Wire size range (in AWG)		Insulation Ø (in mm) Max.	Material	Plating
		Min.	Max.			
54002214 (SWS)	Female	22	22	1.75	CuFeP/CuBe	Sn
54001826 (SWS)	Female	20	18	2.13	CuFeP/CuBe	Sn
54001417 (SWS)	Female	16	14	2.77	CuFeP/CuBe	Sn
54002215	Female	22	22	1.75	CuFeP/CuBe	Sn
54001823	Female	20	18	2.13	CuFeP/CuBe	Sn
54001414	Female	16	14	2.77	CuFeP/CuBe	Sn
54002226 (SWS)	Female	22	22	1.75	CuFeP/CuBe	Au
54001837 (SWS)	Female	20	18	2.13	CuFeP/CuBe	Au
54001428 (SWS)	Female	16	14	2.77	CuFeP/CuBe	Au
54002220	Female	22	22	1.75	CuFeP/CuBe	Au
54001831	Female	20	18	2.13	CuFeP/CuBe	Au
54001422	Female	16	14	2.77	CuFeP/CuBe	Au
54002232	Male	22	22	1.75	CuFeP	Sn
54001841	Male	20	18	1.93	CuFeP	Sn
54001433	Male	16	14	2.41	CuFeP	Sn
54002233 (SWS)	Male	22	22	1.75	CuFeP	Sn
54001842 (SWS)	Male	20	18	1.93	CuFeP	Sn
54001434 (SWS)	Male	16	14	2.41	CuFeP	Sn

SWS: Single Wire Seal

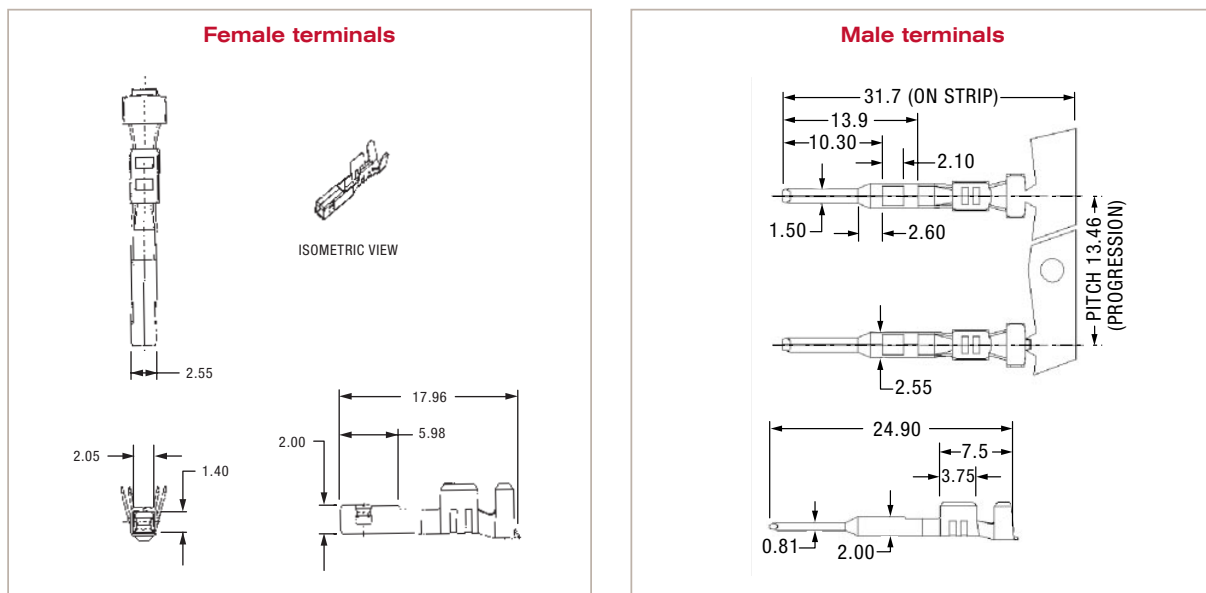
Rev 01/04

1.5 mm female and male terminals

Part Numbers	Type	Wire size range (in AWG)		Insulation Ø (in mm) Max.	Material	Plating
		Min.	Max.			
54002236	Male	22	22	1.75	CuFeP	Au 11.1 length
54001845	Male	20	18	1.93	CuFeP	Au 11.1 length
54001437	Male	16	14	2.41	CuFeP	Au 11.1 length
54002237 (SWS)	Male	22	22	1.75	CuFeP	Au 11.1 length
54001846 (SWS)	Male	20	18	1.93	CuFeP	Au 11.1 length
54001438 (SWS)	Male	16	14	2.41	CuFeP	Au 11.1 length
54002234	Male	22	22	1.75	CuFeP	Au 7.0 length
54001843	Male	20	18	1.93	CuFeP	Au 7.0 length
54001435	Male	16	14	2.41	CuFeP	Au 7.0 length
54002235 (SWS)	Male	22	22	1.75	CuFeP	Au 7.0 length
54001844 (SWS)	Male	20	18	1.93	CuFeP	Au 7.0 length
54001436 (SWS)	Male	16	14	2.41	CuFeP	Au 7.0 length

SWS: Single Wire Seal

Dimensional characteristics



Notes :
