

4

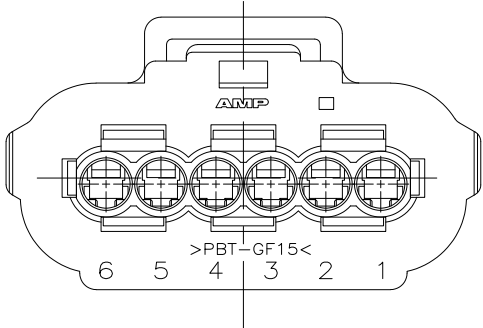
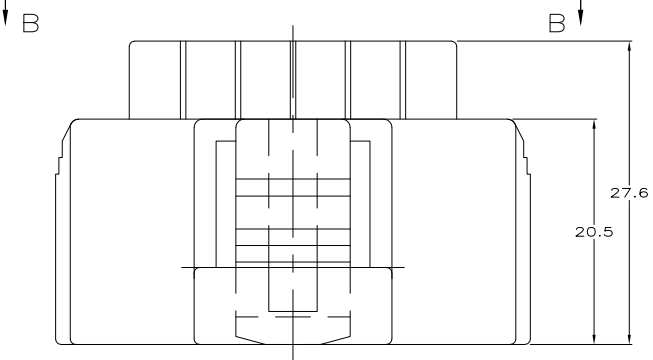
3

2

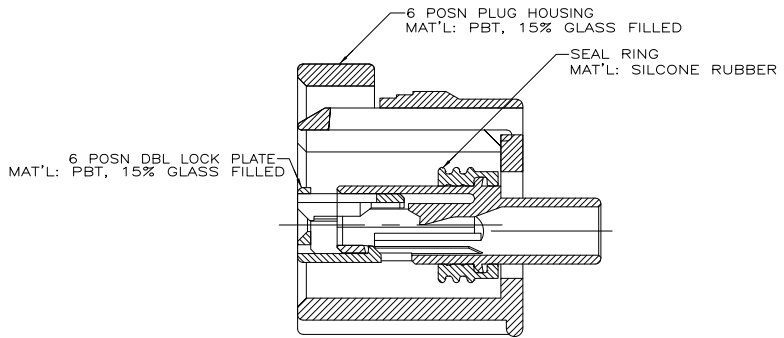
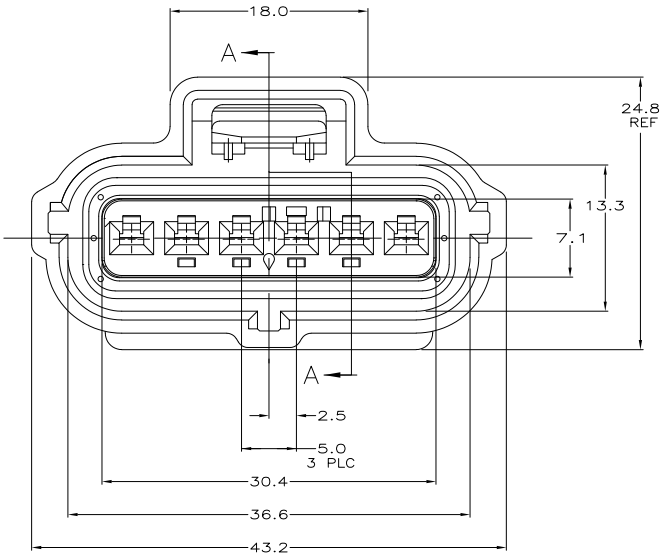
1

THIS DRAWING IS UNPUBLISHED. RELEASED FOR PUBLICATION. ALL RIGHTS RESERVED.

LOC	DIST	REVISIONS			
F	LNK	DESCRIPTION	DATE	BY	APPD
G	16				
C1		REVISED PER ECO-11-005030	11MAR11	RK	HMR



VIEW B-B



SECTION A-A

184060-1 PART NUMBER

THIS DRAWING IS A CONTROLLED DOCUMENT.		DRW	KD	LYTLE	09/22/95
		CHK	HYERB		09/29/95
		CT			
		APPC			
		PRODUCT SPEC			
		APPLICATION SPEC			
		WEIGHT			
		CUSTOMER DRAWING			
DIMENSIONS: mm		TOLERANCES UNLESS OTHERWISE SPECIFIED:		TE Connectivity	
0 PLC	±			1 X 6 PLG ASY KEY A-C3	
1 PLC	± 0.3			RESTRICTED TO	
2 PLC	±			A2 00779 C=184060	
3 PLC	±			SCALE 4:1 SHEET 1 of 1 REV C1	
4 PLC	±				
ANGLES	8°				
FINISH					