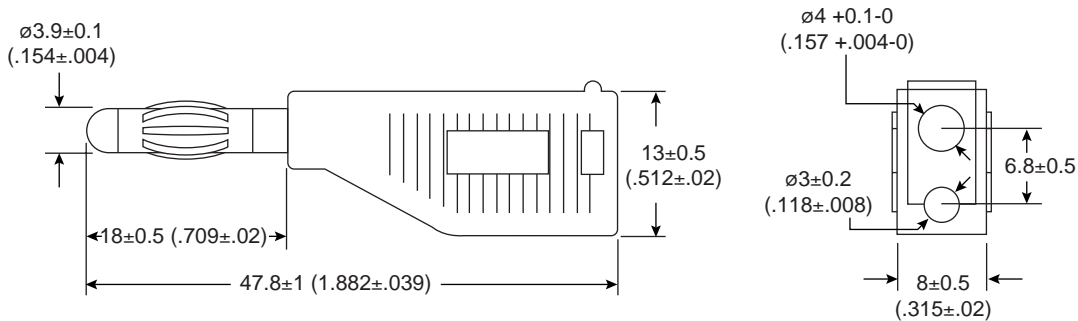


Banana Plug

174-R819B, 174-R819R



Banana Plug



Dimensions: mm (In.)

Mouser Stock No.	Color
174-R819B	Black
174-R819R	Red

Specifications	
Rating:	10A
Insulation Resistance:	500VDC 100M Ω Min.
Dielectric Strength:	1500VAC 1 Minute
Temperature Range:	-20°C ~ +80°C

Material Specifications	
Plug:	Nickel Plated Heat Treated Beryllium Copper
Handle:	PVC

Date Last Revised: 08-24-04

Available from Mouser Electronics
1-800-346-6873
www.mouser.com

KC-300130

174-R819B, 174-R819R