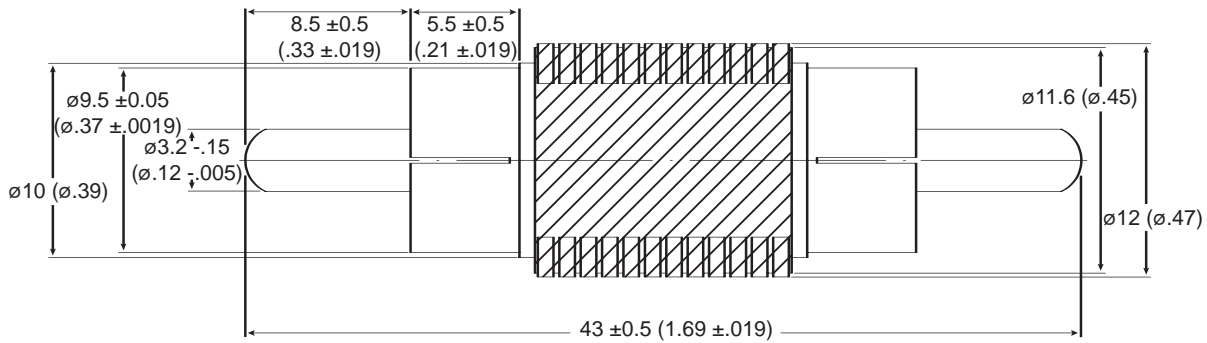


RCA Plug to RCA Plug

171-ADRPRP



RCA Plug to RCA Plug



Dimensions: mm (In.)

Specifications	
Materials	Brass w/ nickel
	P.V.C. w/ black plating
	ABS w/ black plating

Date Last Revised: 1-24-05

Available from Mouser Electronics
 1-800-346-6873
 www.mouser.com

KC- 300252

171-ADRPRP