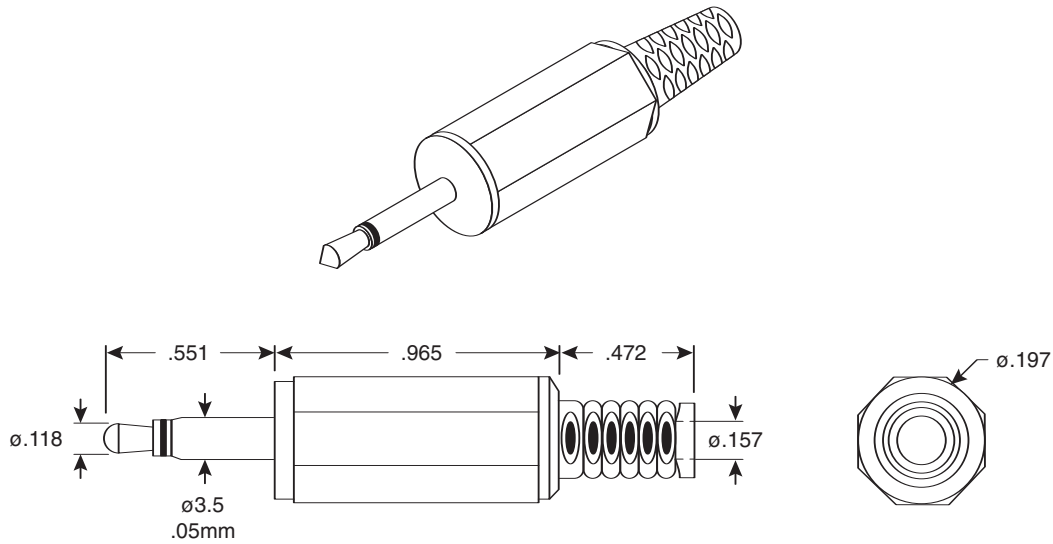


# 3.5mm Plug

17PP047



3.5mm Plug



Dimensions: In.

## SPECIFICATIONS

<b>Contact Resistance:</b>	50mΩ max.
<b>Insulation Resistance:</b>	100MΩ @ 500VDC
<b>Withstand Voltage:</b>	500VAC for 1 Minute
<b>Tip, Sleeve, Terminal:</b>	Nickel Plated Brass
<b>Insulator:</b>	ABS
<b>Cap:</b>	Polyethylene
<b>Connecting Pin:</b>	Nickel Plated Steel

Date Last Revised: 4-18-05

Available from Mouser Electronics  
1-800-346-6873  
www.mouser.com

KC-300524

17PP047