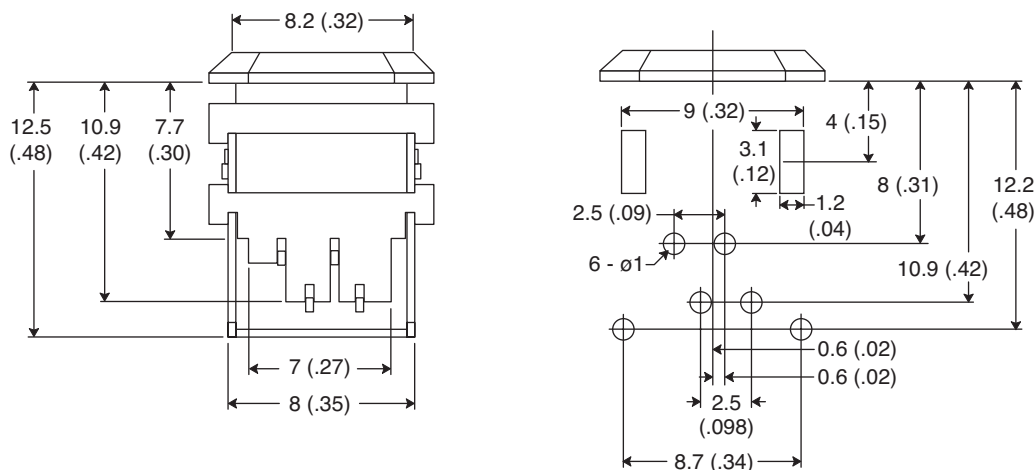
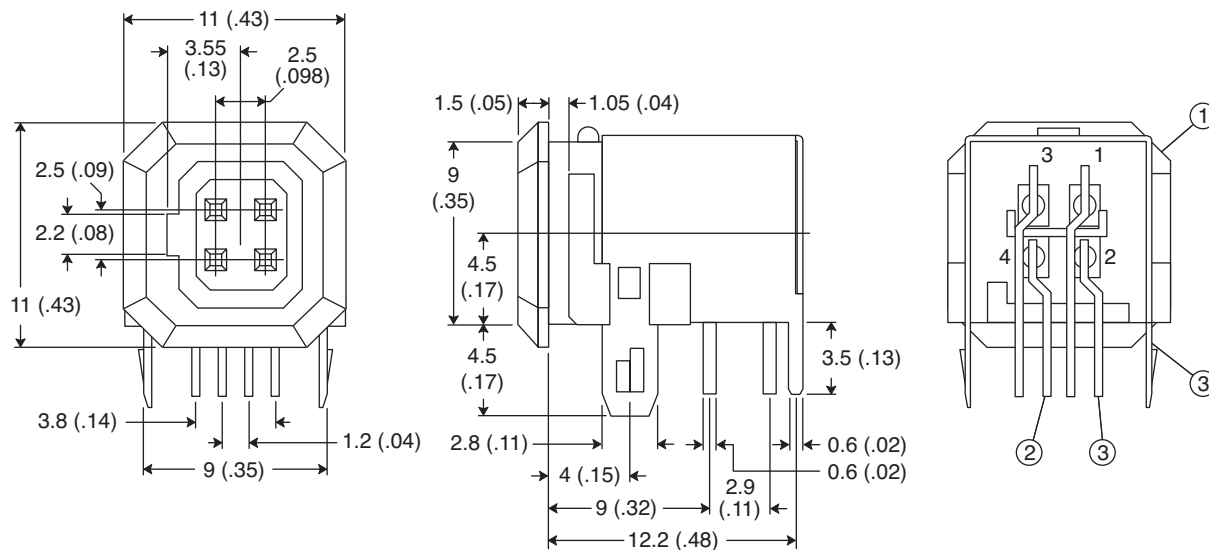


# IRIS Connector for PC Board

## 163-157J



IRIS Connector for PC Board



PC Board Hole Layout (Bottom View)

Part	Material	Finish
Body (1)	PBT	---
Terminal B (2)	Brass	Sn
Terminal A (3)	Brass	Sn
Shielding Plate (4)	Steel	Sn

**Dimensions: mm (In.)**

ELECTRICAL SPECIFICATIONS	
<b>Rating:</b>	0.5A 30VDC
<b>Withstand Voltage:</b>	150VAC for 1 minute
<b>Contact Resistance:</b>	20m Ω Max.
<b>Insulation Resistance:</b>	100 VDC, 100M Ω above
<b>Operation Temperature:</b>	-10°C ~ +70°C

Date Last Revised: 4/18/05

**Available from Mouser Electronics**  
**1-800-346-6873**  
**www.mouser.com**

KC- 300260

163-157J