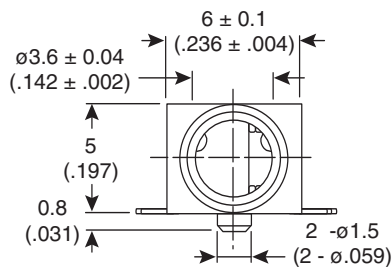
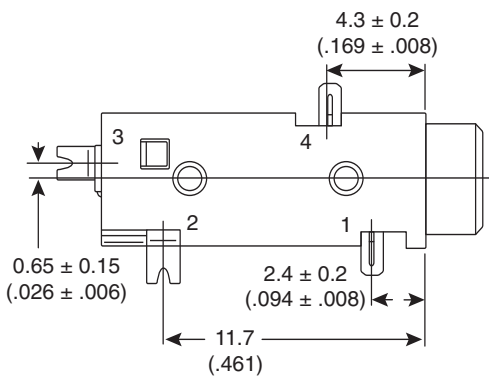
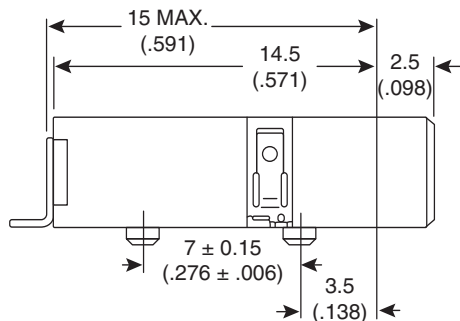
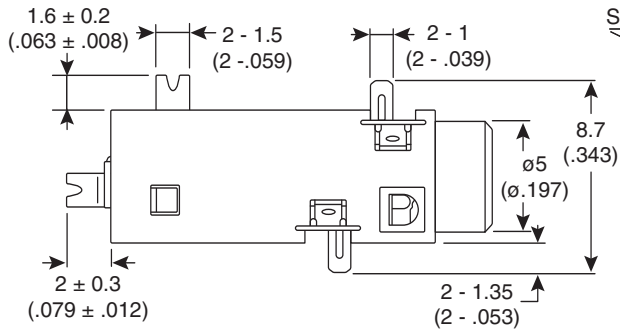


3.5mm Phone Jacks

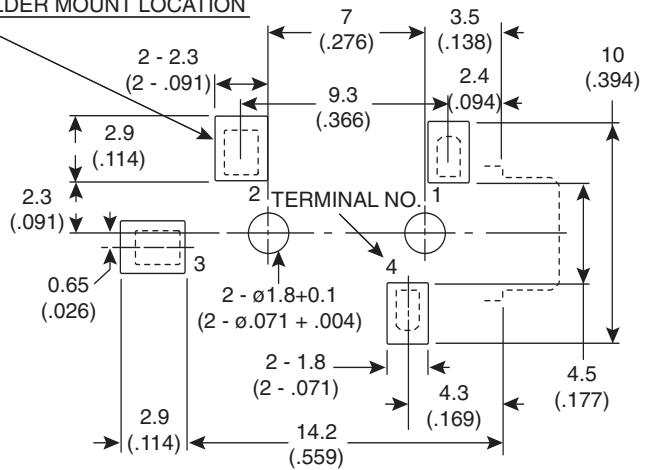
161-4033, 161-4034, 161-4035



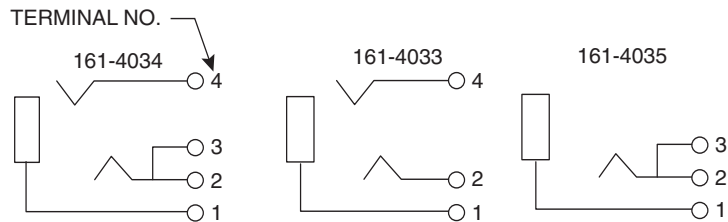
3.5mm Phone Jacks



SOLDER MOUNT LOCATION



PCB HOLE & SURFACE MOUNT LAYOUT



CIRCUIT DIAGRAMS

Dimensions: mm (In.)

SPECIFICATIONS

Rating:	12VDC 1A
Insulation resistance:	not less than 100mΩ
Contact resistance:	not more than 30mΩ
Withstand voltage:	500VAC (50~60Hz) for one min
Temperature range:	70°C ~ -20°C
Life test:	3,000 times min.
Insertion force:	0.4 ~ 3.0 kg
Extraction force:	0.4 ~ 3.0 kg
Case:	PA66/13% GF/black
Resoldering parameters:	350°C ± 10°C @ 3 sec. ± 1 sec.

Date Last Revised: 4-15-05

Available from Mouser Electronics
1-800-346-6873
www.mouser.com

KC-300512

161-4033, 161-4034, 161-4035