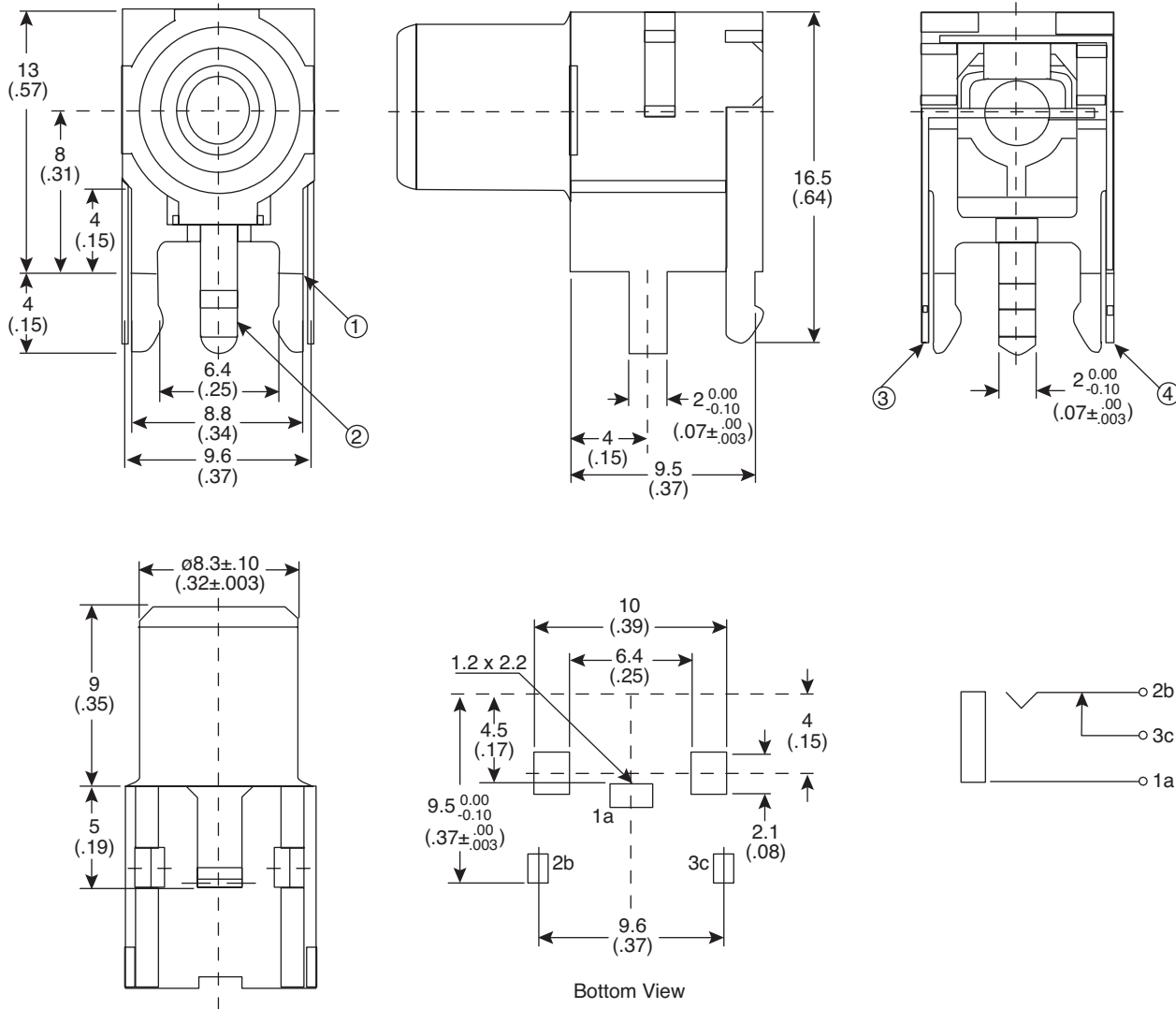


# RCA Jack

161-0396

KOBI CONN

RCA Jack



Dimensions: mm (In.)

## MECHANICAL SPECIFICATIONS

Insulator: Ni pLated 3~4  $\mu$

## MATERIAL SPECIFICATIONS

1	Spring Terminal:	C5210R-H t=0.4
2	Break Terminal:	C2680R-H t=0.4
3	Earth Terminal:	C2680R-H t=0.4
4	Housing:	PBT+15% Glass

Date Last Revised: 11-5-04

Available from Mouser Electronics  
1-800-346-6873  
www.mouser.com

KC-300196

161-0396