

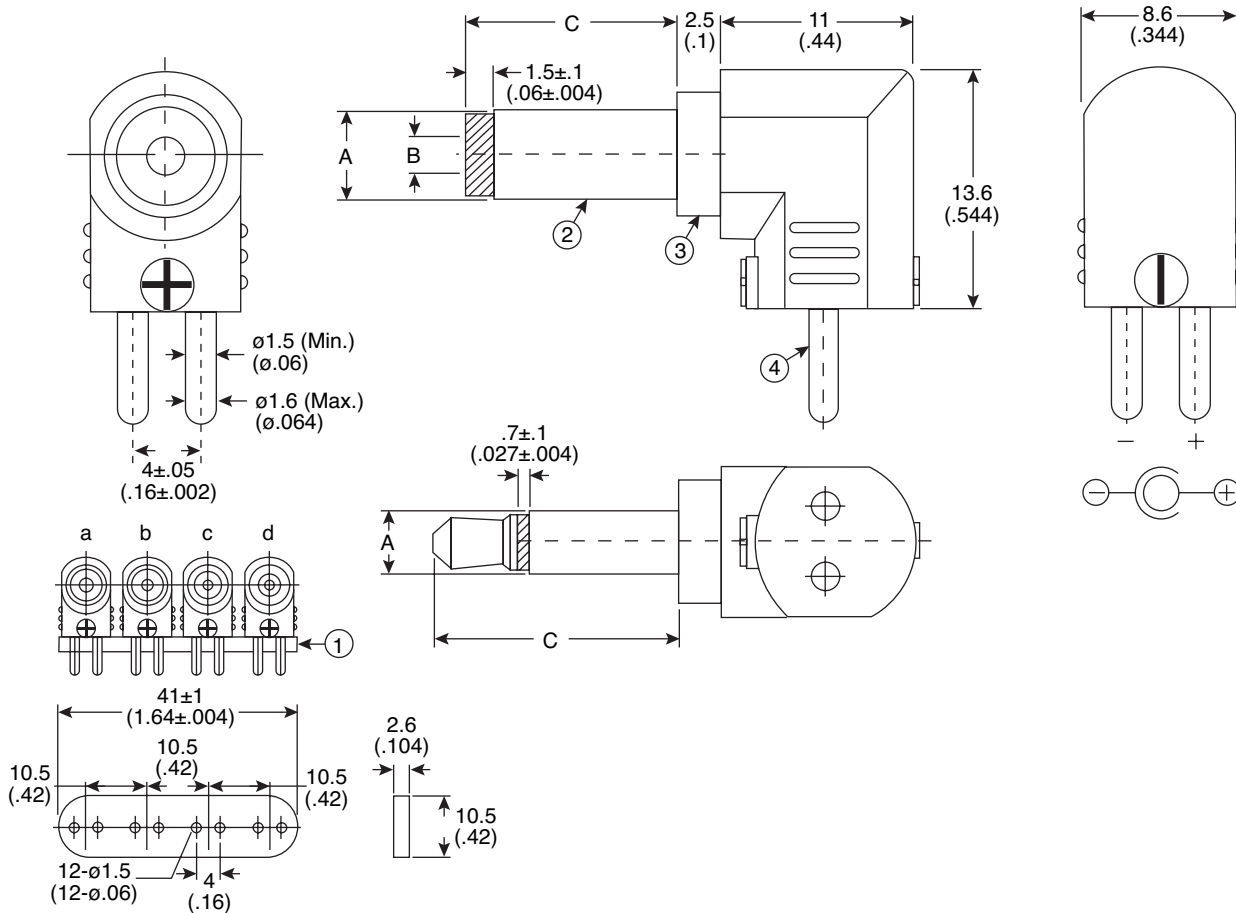
4 Piece Right Angle Adapter Plugs

173-TIP-EDAC-6



4 Piece Right Angle Adapter Plugs

173-TIP-EDAC-6



Dimensions: mm (in.)

	Part No.	A	B	C
a	173-4017TIP	ø4.0 (.16)	ø1.7 (.068)	9.5 (.38)
b	173-35MPTIP	ø3.5 (.14)	---	14 (.56)
c	173-5521TIP	ø5.5 (.22)	ø2.1 (.084)	12.48
d	173-5525TIP	ø5.5 (.22)	ø2.5 (.1)	9.5 (.38)

No.	Material	Plating
1	PVC Black	---
2	Brass	Nickel
3	ABS Black	
4	Brass	Nickel

Date Last Revised: 11-29-07

Available from Mouser Electronics
1-800-346-6873 / www.mouser.com

KC-300783

Specifications are subject to change without notice. No liability or warranty implied by this information. Environmental compliance based on producer documentation.