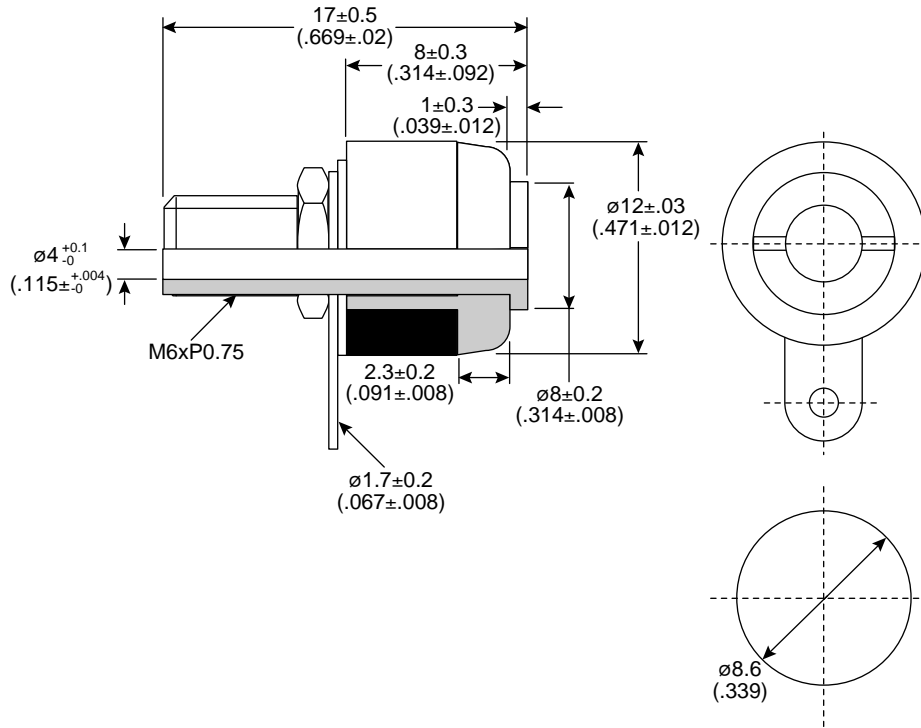


Banana Socket

164-R104R, 164-R104B



Banana Socket



Dimensions: mm (In.)

ELECTRICAL SPECIFICATIONS	
Rating:	10A 125V AC
Insulation Resistance:	DC 500V 100MΩ min.
Dielectric Strength:	AC 1000V 1 minute
Temperature Range:	-10°C to +80°C

MATERIALS	
Insulation:	Nylon UL 94V-2
Metal:	Nickel plated brass
Panel Thickness:	.5-3.0mm

Date Last Revised: 08-19-04

Available from Mouser Electronics
1-800-346-6873
www.mouser.com

KC-300112

164-R104R, 164-R104B