

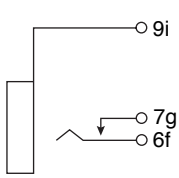
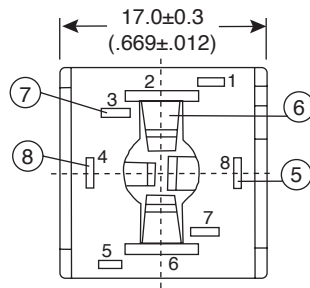
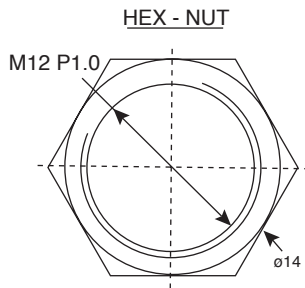
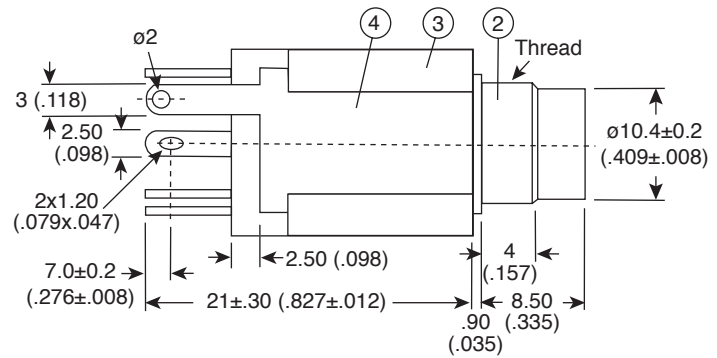
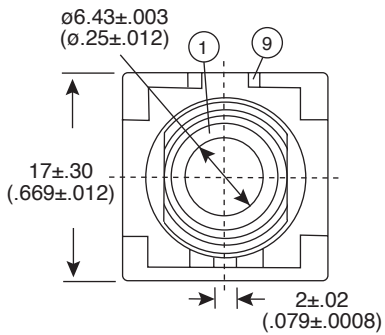
# 1/4" Headphone Jack

161-0085, 161-0086, 161-0087

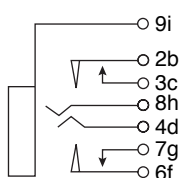


1/4" Headphone Jack

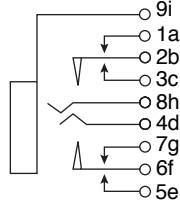
### DIMENSIONS: mm (In.)



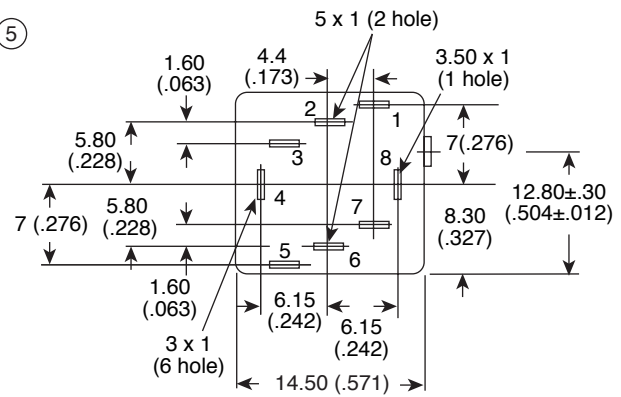
161-0085



161-0086



161-0087



P.C.B. LAYOUT

| No. | Name              | Qty. | Material                      |
|-----|-------------------|------|-------------------------------|
| 1.  | Bushing           | 1    | 0.7 mic/inch Brass, NI Plated |
| 2.  | Plastic Bushing   | 1    | Duracon, Black                |
| 3.  | Housing           | 1    | P.B.T, Black                  |
| 4.  | Earth Terminal    | 1    | 0.6t Fe                       |
| 5.  | Ring Terminal     | 1    | 0.35t Phosphor Bronze         |
| 6.  | Transfer Terminal | 2    | 0.35t Phospher Bronze         |
| 7.  | Brake Terminal    | 2    | 0.35t Brass                   |
| 8.  | Tip Terminal      | 1    | 0.35t Phosphor Bronze         |
| 9.  | Insulator         | 1    | 1.0± Red Paper                |

| SPECIFICATIONS                   |                     |
|----------------------------------|---------------------|
| <b>Rated Jack:</b>               | 12VDC 1A            |
| <b>Rated Switch:</b>             | 6VDC 1A             |
| <b>Temperature Range:</b>        | -25°C ~ +70°C       |
| <b>Dielectric Strength:</b>      | 500VAC for 1 minute |
| <b>Insulation Resistance:</b>    | 500VDC ≥ 100MΩ      |
| <b>Contact Resistance:</b>       | ≤ 50 mΩ             |
| <b>Insertion Force:</b>          | 0.3kgf~3.0kgf       |
| <b>Withdraw Force:</b>           | 0.3kgf~3.0kgf       |
| <b>Life Test:</b>                | 5,000 Cycles        |
| <b>Temperature of Solder:</b>    | 260 ± 5°C           |
| <b>Dip Time:</b>                 | 5±1 Seconds         |
| <b>Mating/Uncoupling Rating:</b> | 15,000 Cycles       |

161-0085, 161-0086, 161-0087

Date Last Revised: 10-15-05

Available from Mouser Electronics  
1-800-346-6873  
www.mouser.com

KC-300225