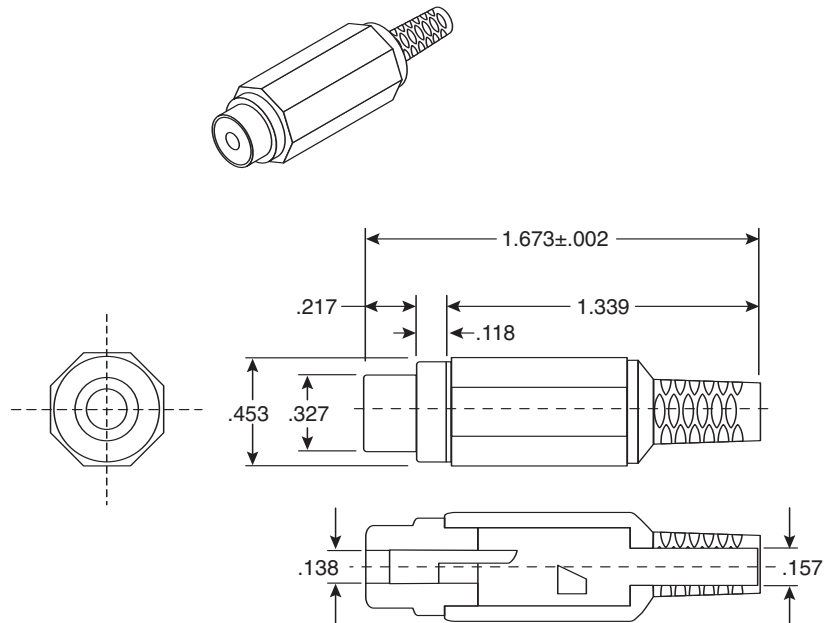


In-Line Phono Jacks

161-4356, 161-4357, 161-4358, 161-4359



In-Line Phono Jacks



Dimensions: In.

MOUSER STOCK NO.	ID Ring Color
161-4356	Red
161-4357	White
161-4358	Yellow
161-4359	Black

MATERIAL SPECIFICATIONS		
Part Name	Material	Max. Temp.
Insulator	Bakelite	---
Body	ABS Resin	85°C
Contact A	Nickel Plated Brass	---
Contact B	Nickel Plated Steel	---
Cap	Polyethylene	80°C

ELECTRICAL SPECIFICATIONS	
Contact Resistance:	10mΩ max.
Insulation Resistance:	100MΩ min. @ 500VDC
Withstand Voltage:	500VAC for 1 Minute
Temperature:	-10°C ~ +50°C
Soldering Heat:	80°C
Tolerance:	±0.3mm

Date Last Revised: 4-19-05

Available from Mouser Electronics
 1-800-346-6873
 www.mouser.com

KC-300569

161-4356, 161-4357, 161-4358, 161-4359

Specifications are subject to change without notice. No liability or warranty implied by this information. Environmental compliance based on producer documentation.