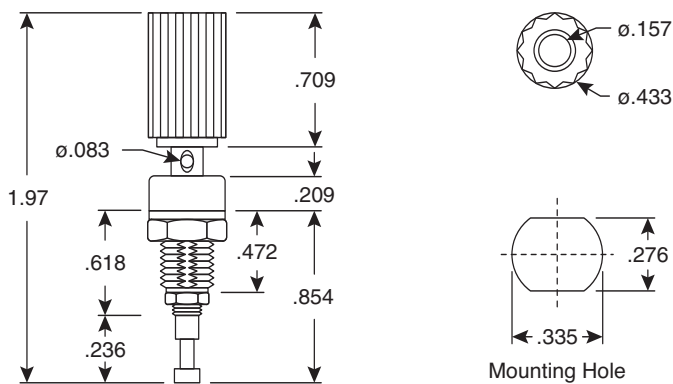
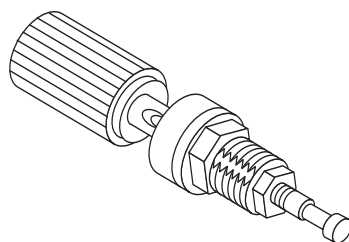


# Binding Posts

164-11102, 164-11103



Binding Posts



**DIMENSIONS IN.**

| <b>SPECIFICATIONS</b>         |                                    |
|-------------------------------|------------------------------------|
| <b>Type:</b>                  | johnson type with nut and washer   |
| <b>Rated Power:</b>           | 125VAC 10A                         |
| <b>Withstand Voltage:</b>     | 1000VAC for 1 minute               |
| <b>Insulation Resistance:</b> | 100MΩ min. @ 500VDC                |
| <b>Insulator:</b>             | nylon 66                           |
| <b>Color:</b>                 | red (164-11102), black (164-11103) |

Date Last Revised: 4-19-05

**Available from Mouser Electronics**  
**1-800-346-6873**  
**www.mouser.com**

KC-300581

164-11102, 164-11103