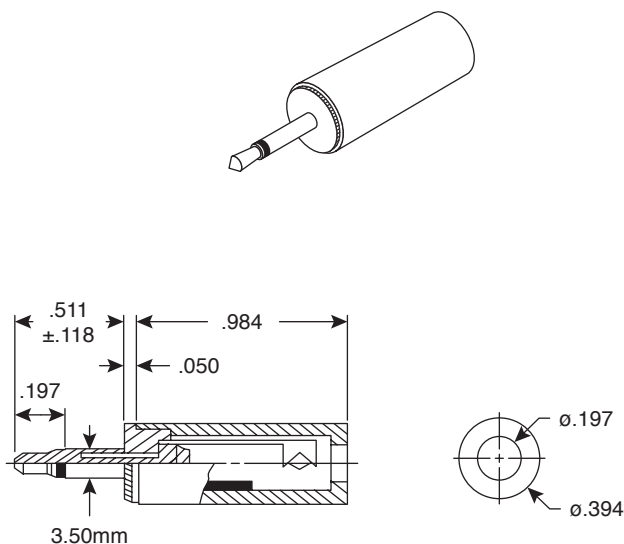


# 3.5mm Mono Phone Plug

17PP105



3.5mm Mono Phone Plug



**Dimensions: In.**  
(Except where noted.)

SPECIFICATIONS	
Type:	3.5mm Mono Phone, Unshielded
Contact Resistance:	50mΩ max.
Insulation Resistance:	100Ω min. @ 500VDC
Dielectric Strength:	500VAC for 1 Minute
Plug Thread Size:	M8 x 1mm
Tip, Sleeve, Terminals:	Nickel Plated Brass
Tip Insulator:	Noryl
Terminal Insulator:	Polypropylene
Handle:	ABS Plastic

Date Last Revised: 10-17-05

Available from Mouser Electronics  
1-800-346-6873  
www.mouser.com

KC-300526

17PP105