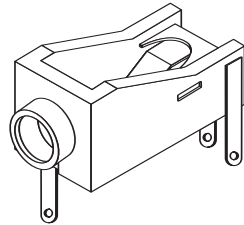


# Phone Jacks

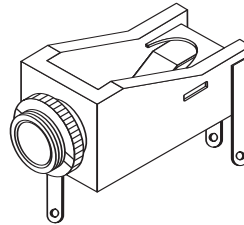
161-3400, 161-3412



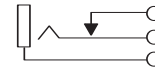
Phone Jacks



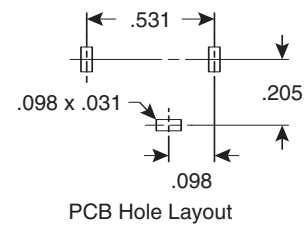
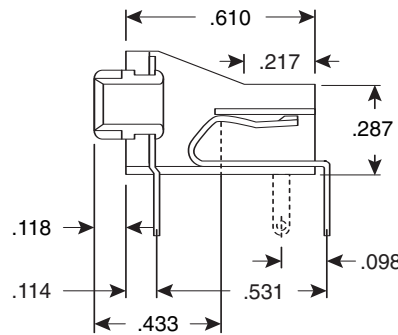
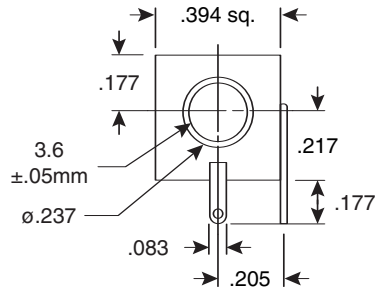
161-3412



161-3400



Circuit Diagram



PCB Hole Layout

**Dimensions: In.**  
Tolerance:  $\pm 0.012$ " (.3mm)  
(except where noted)

SPECIFICATIONS	
Type:	3.5mm mono jack with switch
Contact resistance:	20mΩ max.
Insulation resistance:	100MΩ min. @ 250VDC
Breakdown voltage:	500VAC for 1 minute
Knurled nut:	ø6 x .5mm (on 161-3400 only)

Date Last Revised: 4-5-05

Available from Mouser Electronics  
1-800-346-6873  
www.mouser.com

KC-300426

161-3400, 161-3412