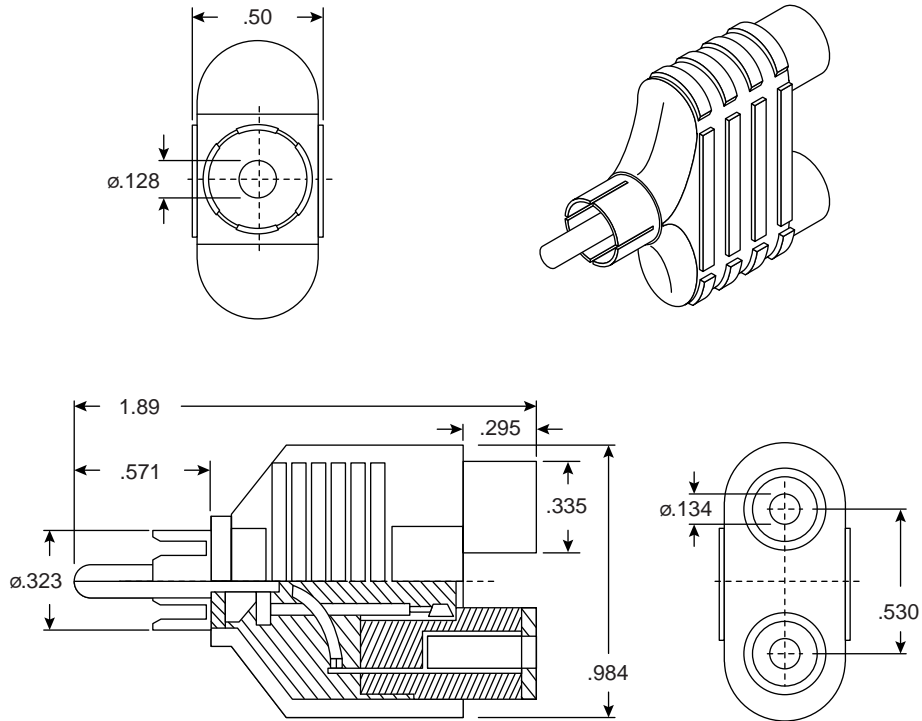


Phono Y-Adaptor

161-4200



Phono Y-Adaptor



DIMENSIONS (IN.)

SPECIFICATIONS	
Type:	Phono adapter 1 plug to 2 jacks
Body Material:	PVC plastic
Contact Material:	Nickel plated brass
Insulation Material:	ABS plastic
Insulation Resistance:	100MΩ (min.)
Contact Resistance:	30mΩ (max.)
Breakdown Voltage:	500VAC for 1 minute

Date Last Revised: 4-06-04

Available from Mouser Electronics
1-800-346-6873
www.mouser.com

KC-300007

161-4200