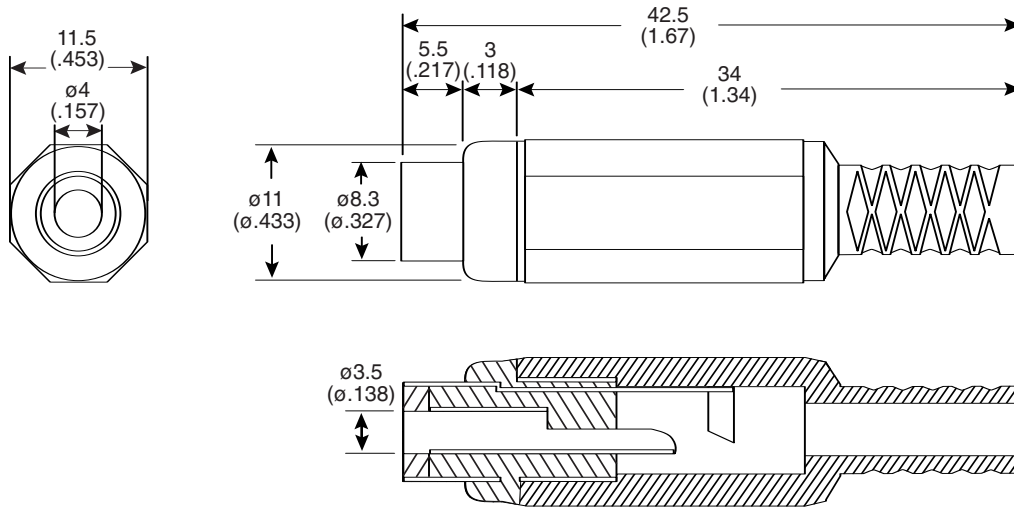


RCA Jacks



161-0151, 161-0152, 161-0153, 161-0154

RCA Jacks



Dimensions: mm (In)

MOUSER STOCK NO.	Color
161-0151	Red
161-0152	Black
161-0153	White
161-0154	Yellow

SPECIFICATIONS	
Center Contact:	Nickel Plated Brass
Housing:	PE
Insulator:	ABS
Contact Resistance:	30mΩ max.
Insulation Resistance:	100MΩ min. @ 500VDC
Dielectric Strength:	250VAC for 1 Minute
Insertion Force:	3N max.
Extraction Force:	0.1-3N

Date Last Revised: 4-19-05

Available from Mouser Electronics
1-800-346-6873
www.mouser.com

KC-300571

161-0151, 161-0152, 161-0153, 161-0154