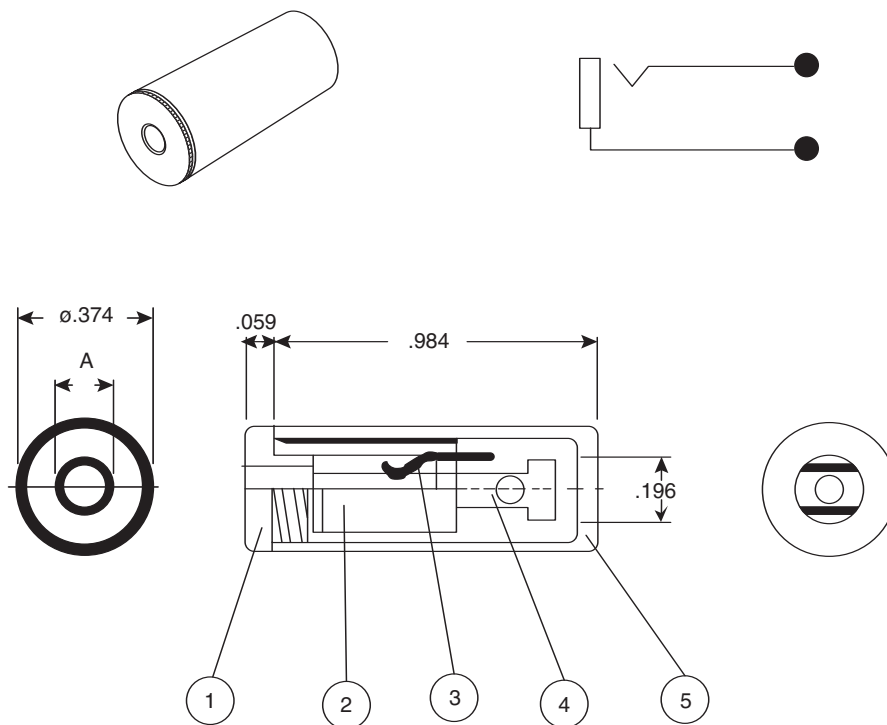


# In-Line Phone Jacks

16PJ105, 16PJ119



In-Line Phone Jacks



Dimensions: In.

| SPECIFICATIONS                |   |
|-------------------------------|---|
| <b>Type:</b>                  | mono, hi-rel, black plastic handle, in-line |
| <b>Breakdown voltage:</b>     | 500VAC for 1 minute                         |
| <b>Insulation resistance:</b> | 100MΩ min. @ 500VDC                         |
| <b>Contact resistance:</b>    | 50mΩ max.                                   |
| <b>Life time:</b>             | 5,000 cycles                                |
| <b>Tolerance:</b>             | ±.011                                       |

| Mouser Stock No. | A      | Size  |
|------------------|--------|-------|
| <b>16PJ119</b>   | ø .141 | 3.5mm |
| <b>16PJ105</b>   | ø .102 | 2.5mm |

| Number | Part Name | Material | Remarks |
|--------|-----------|----------|---------|
| 1      | Contact A | BSBM     | Ni      |
| 2      | Body      | PA       |         |
| 3      | Contact B | PBS      | Ni      |
| 4      | Terminal  | BSR      | Ni      |
| 5      | Cap       | APS      |         |

Date Last Revised: 4-5-05

Available from Mouser Electronics  
1-800-346-6873  
www.mouser.com

KC-300425

16PJ105, 16PJ119