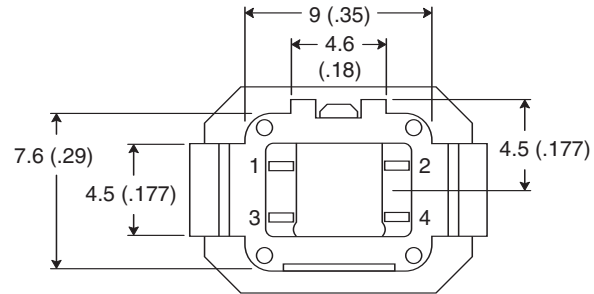
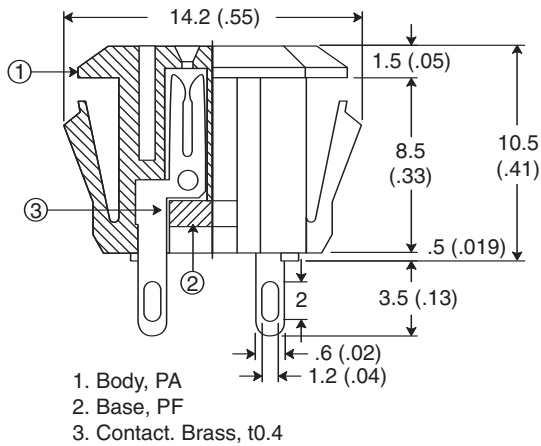
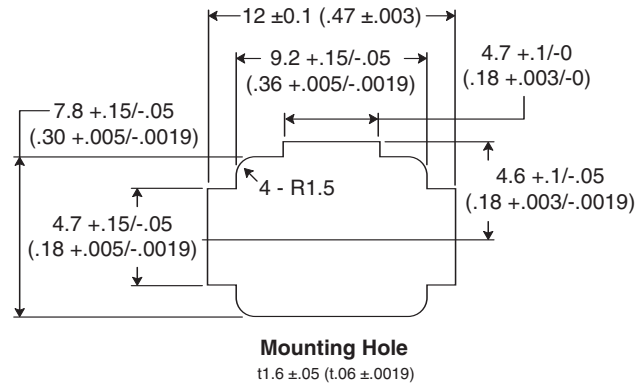
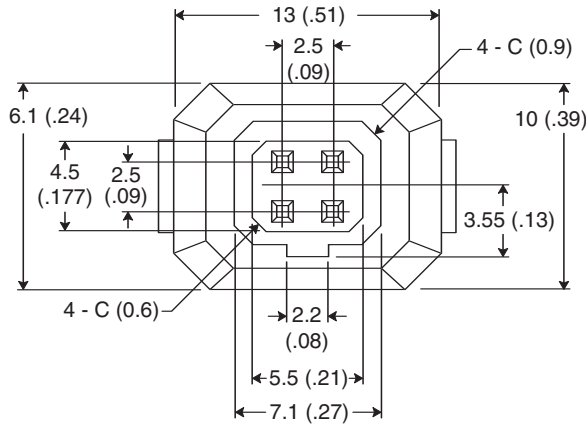


Panel Mount Iris Connector

163-156N-1

KOBICONN

Panel Mount Iris Connector



Dimensions: mm (In.)

| ELECTRICAL SPECIFICATIONS | |
|---------------------------|-----------------------|
| Rating: | 0.5A 30VDC |
| Withstand Voltage: | 150VAC for 1 minute |
| Contact Resistance: | 20m Ω Max. |
| Insulation Resistance: | 100 VDC, 100M Ω above |
| Operation Temperature: | -10°C ~ +70°C |

Date Last Revised: 3/22/05

Available from Mouser Electronics
1-800-346-6873
www.mouser.com

KC- 300264

163-156N-1