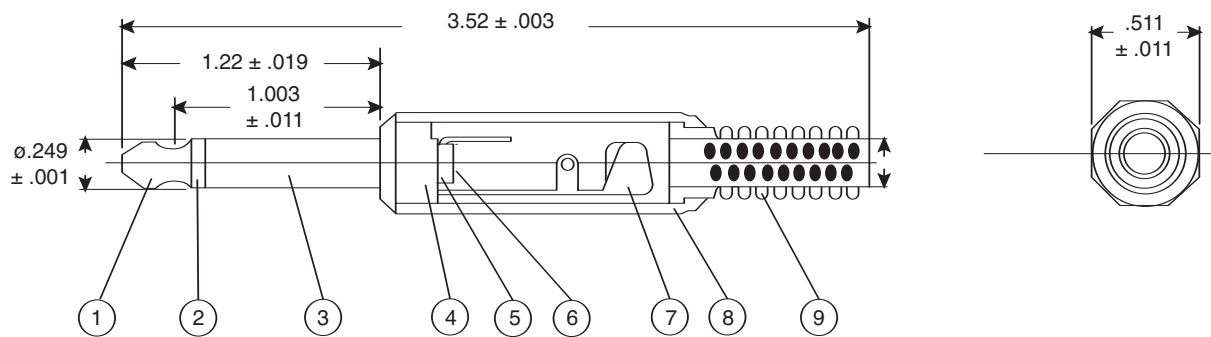
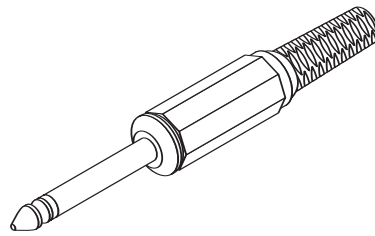


Non-Shielded 1/4" Mono Phone Plugs **KOBI** **CONN**

171-1203, 171-1204, 171-1205

Non-Shielded 1/4" Mono Phone Plugs



DIMENSIONS IN.

Item No.	Part	Material	Finish
1	Tip Contact	Brass	Ni-3
2	Insulator B	ABS Resin	
3	Sleeve Contact	Brass	Ni-3
4	Insulator A	ABS Resin	
5	Terminal A	Brass	Ni-3
6	Pin	Steel	Ni-3
7	Terminal C	Steel	Ni-3
8	Cap Insulator	PP Resin	
9	Strain Relief	PVC Resin	

SPECIFICATIONS	
Breakdown Voltage:	500VDC for 1 minure
Insulation Resistance:	100MΩ min. @ 500VDC
Contact Resistance:	50mΩ min. @ 500VDC
Temperature Rating:	70°C
Color:	red (171-1203), black (171-1204), gray (171-1205)
Unshielded	

Date Last Revised: 4/18/05

Available from Mouser Electronics
1-800-346-6873
www.mouser.com

KC-300515

171-1203, 171-1204, 171-1205