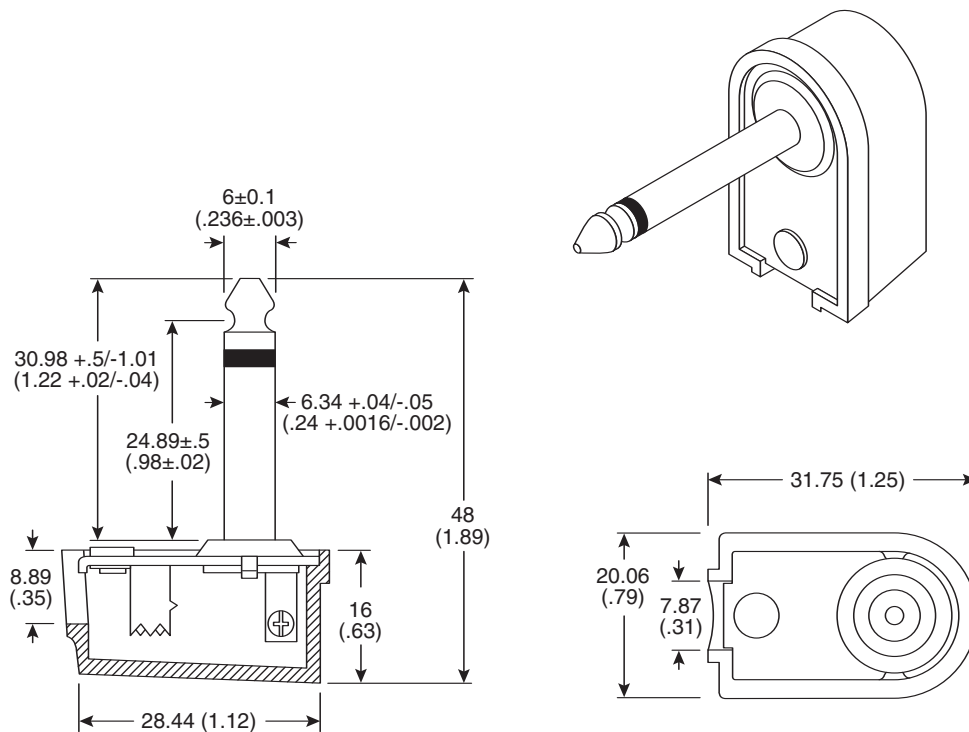


1/4" Mono Plug

17PP057



1/4" Mono Plug



Dimensions: mm (In)

SPECIFICATIONS

Type:	1/4" Mono Phone
Contact Resistance:	50mΩ max.
Insulation Resistance:	100MΩ @ 500VDC
Breakdown Voltage:	500VAC for 1 Minute
Life:	10,000 Cycles min.
Conductors:	Nickel Plated
Insulator:	Black Polypropylene

Date Last Revised: 4-18-05

Available from Mouser Electronics
1-800-346-6873
www.mouser.com

KC-300545

17PP057