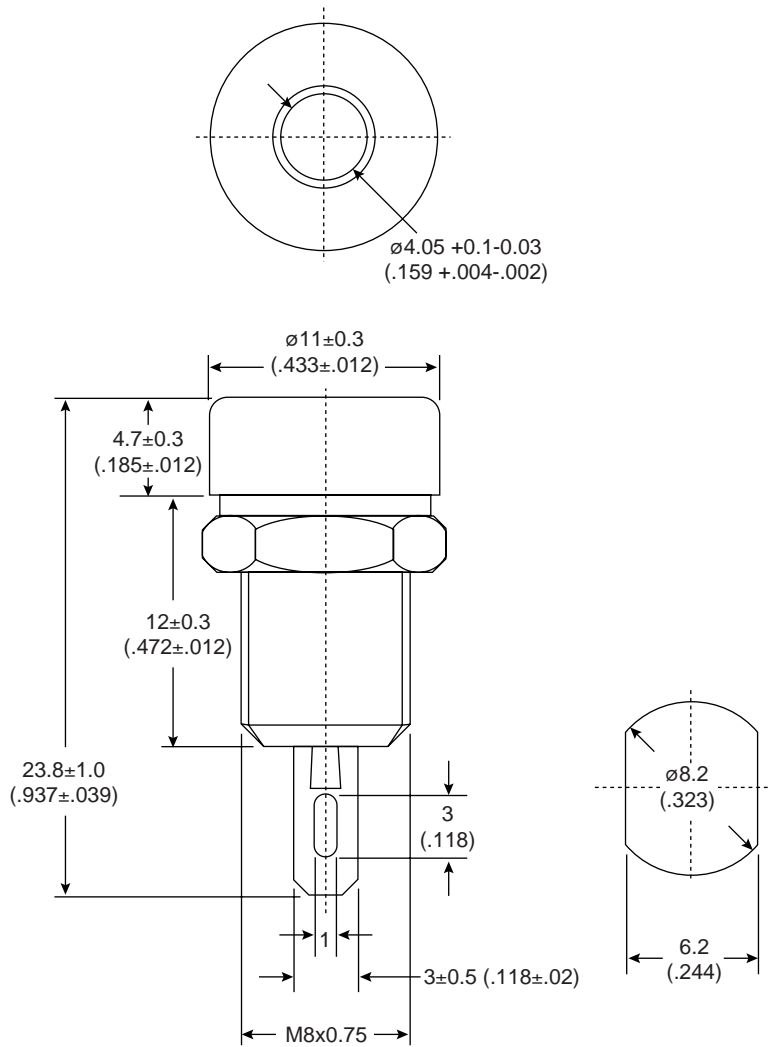


Banana Jack

164-R116B, 164-R116R



Banana Jack



Dimensions: mm (In.)

Mouser Stock No.	Color
164-R116B	Black
164-R116R	Red

Specifications	
Rating:	10A 125VAC
Insulation Resistance:	500VDC 100MΩ Min.
Dielectric Strength:	1000VAC 1 Minute
Temperature Range:	-10°C ~ +80°C

Material Specifications	
Insulation:	Nylon UL94V-2
Metal:	Nickel Plated Brass

164-R116B, 164-R116R

Date Last Revised: 08-24-04

Available from Mouser Electronics
1-800-346-6873
www.mouser.com

KC-300126