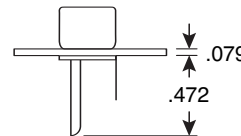
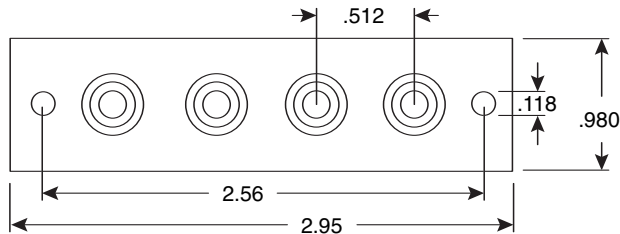
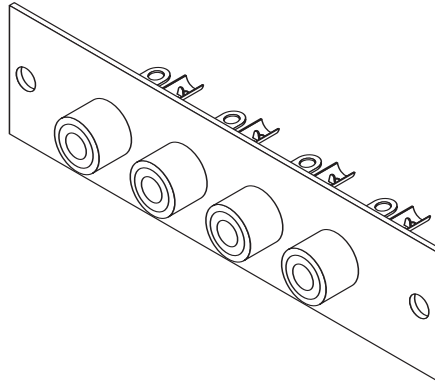


# 4 Pin RCA Jack

16PJ514

KOBI CONN

4 Pin RCA Jack



Dimensions: In.

SPECIFICATIONS	
Type:	4 Pin RCA
Terminal Board:	Phenolic
Contacts:	Steel
Contact Resistance:	30Ω max.
Insulation Resistance:	100MΩ min. @ 500VDC
Dielectric Strength:	500VAc for 1 Minute

Date Last Revised: 4-19-05

Available from Mouser Electronics  
1-800-346-6873  
www.mouser.com

KC-300556

16PJ514